


Electrical Enclosure Accessories

IP-WINDOOR

STEEL | TRANSPARENT DOORS | TEMPERED GLASS | IP66

IP Enclosures offer steel transparent glazed doors engineered for compatibility with its range of electrical enclosures. Supplied as a standard accessory, transparent doors allow quick replacement by removing the existing door. The doors incorporate a transparent viewing window panel manufactured from tempered glass material and are sold and available worldwide.

Protection: IP66

Standard: IEC/EN 60529, RoHS 

Material:

- Enclosure Door: 1.5mm galvanised steel sheet
- Viewing Window Panel: 4.0mm Tempered glass
- Enclosure Seal: Polyurethane

Door: The surface mounted door is made from 1.5mm galvanised steel sheet. It incorporates concealed, removable hinges with captive pins and is designed for a 110° opening.

Viewing Window Panel: The viewing window panel is made from 4.0mm thick tempered glass.

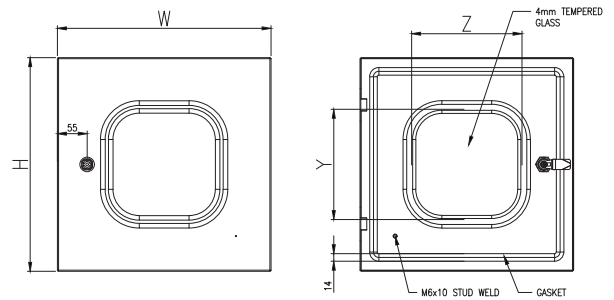
Seal: A high quality full perimeter seal provides excellent sealing over a long life. It is machine applied Polyurethane foamed in place (FIP).

Lock: 5mm Double Bit Quarter Turn Lock. A full range of locking solutions are available upon request.

Surface Treatment: UL approved AkzoNobel epoxy polyester powder coated with a textured finish. 80-120 micron average thickness. Colour RAL7035 Light Grey (standard electrical enclosure).



Image shown is for reference only. See table below for the accurate sizes and specifications.



NOTE: 2D drawing is for reference only. See CAD files for sizes and specifications.

Part Number	Enclosure Door Size	Viewing Panel Size	Weight	Lock
SKU	H x W (mm)	Y x Z (mm)	Kilogram (Kg)	Quantity (pc)
IP-4040WINDOOR	395H x 395W	204 x 204	3	1
IP-6040WINDOOR	595H x 395W	404 x 204	4	2
IP-6060WINDOOR	595H x 595W	404 x 404	5	2
IP-6060WINDOOR-BLK	595H x 595W	404 x 404	5	2
IP-6060WINDOOR-RED	595H x 595W	404 x 404	5	2
IP-6060WINDOOR-X15	595H x 595W	404 x 404	5	2
IP-8080WINDOOR	795H x 795W	604 x 604	8	2
IP-8080WINDOOR-RED	795H x 795W	604 x 604	8	2
IP-8080WINDOOR-X15	795H x 795W	604 x 604	8	2