

Field Cabinet Accessories

IP-FCABASE

ALUMINIUM | PEDESTAL BASES

Suited for Pole-Mounted Field Cabinets

IP Enclosures aluminium pedestal bases provide a robust mounting solution for both ventilated and non-ventilated pole-mounted field cabinets. Offered as an accessory, they enable secure installation directly onto floors or ground surfaces.

Standard: IEC/EN 60529, IEC/EN 62208, EIA-310-D, RoHS



Material:

- Body: 2.5mm marine grade aluminium 5754-H111

Body: The robust body is fabricated using 2.5mm marine grade aluminium.

Surface Treatment: UL approved AkzoNobel polyester powder coated with a smooth gloss finish, 80-120 micron average thickness, providing excellent exterior durability and colour retention.

Standard Colour: T33 Smoke Blue.



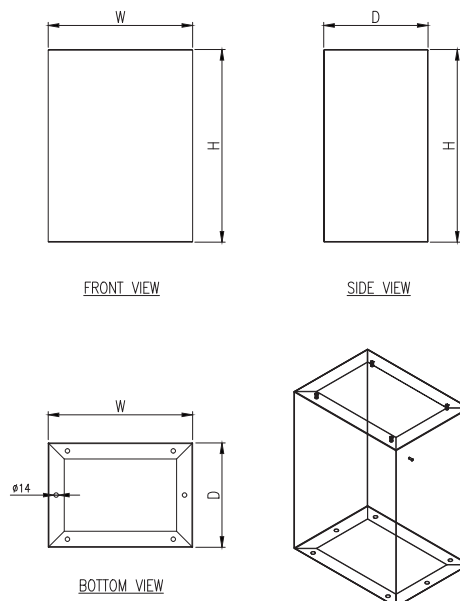
Image shown is for reference only. See table below for the accurate sizes and specifications.

Pedestal Base - T33 Smoke Blue:

Part Number	Pedestal Base size	To suit Non-Ventilated / Ventilated Field Cabinets	Weight
SKU	H x W x D (mm)		Kilogram (Kg)
IP-FCABASE3522-T33	600H x 350W x 225D	IP-A453522-0-T33; IP-A453522-T33	6
IP-FCABASE4532-T33	600H x 450W x 325D	IP-A654532-0-T33; IP-A654532-T33	7
IP-FCABASE6032-T33	600H x 600W x 325D	IP-A706032-0-T33; IP-A706032-T33	7

Pedestal Base - WGN Wilderness Green:

Part Number	Pedestal Base size	To suit Non-Ventilated / Ventilated Field Cabinets	Weight
SKU	H x W x D (mm)		Kilogram (Kg)
IP-FCABASE3522-T33	600H x 350W x 225D	IP-A453522-0-WGN; IP-A453522-WGN	6
IP-FCABASE4532-T33	600H x 450W x 325D	IP-A654532-0-WGN; IP-A654532-WGN	7
IP-FCABASE6032-T33	600H x 600W x 325D	IP-A706032-0-WGN; IP-A706032-WGN	7



NOTE: 2D drawing is for visual representation only. See CAD files for accurate details and dimensions.