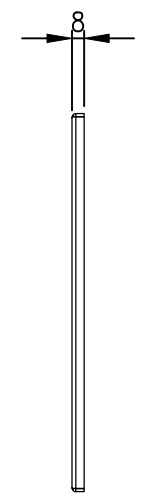
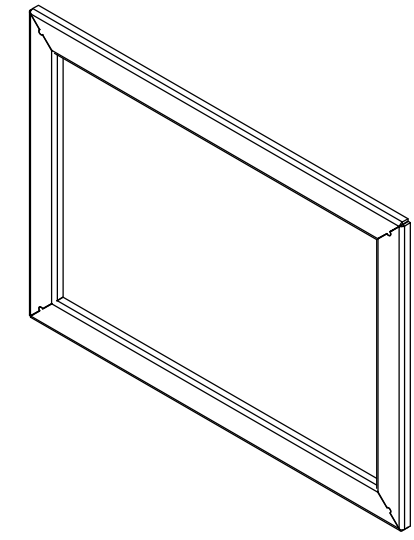


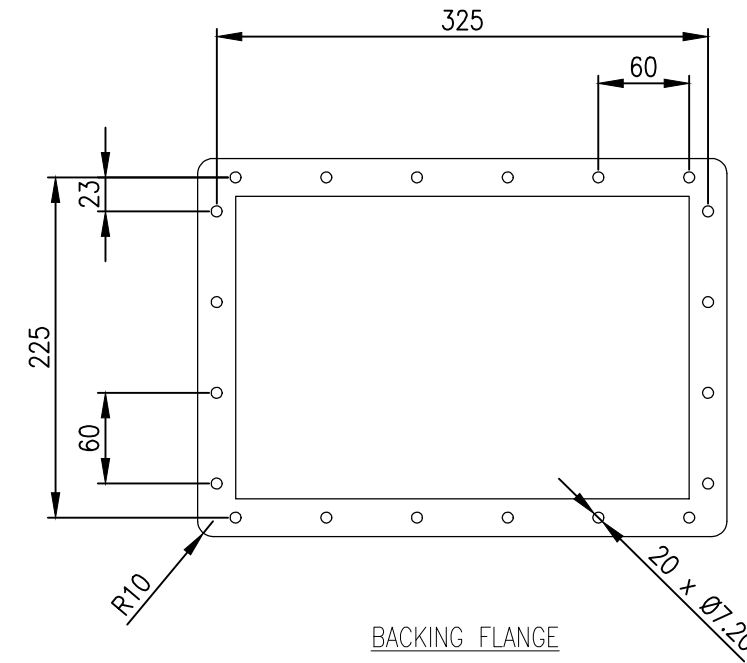
FRONT VIEW
MAIN FRAME



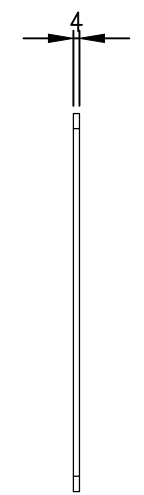
SIDE VIEW
MAIN FRAME



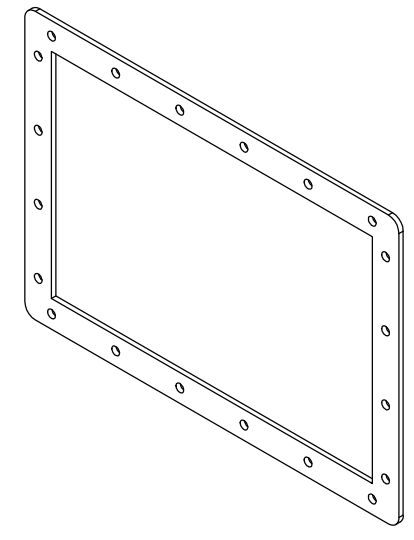
ISOMETRIC VIEW



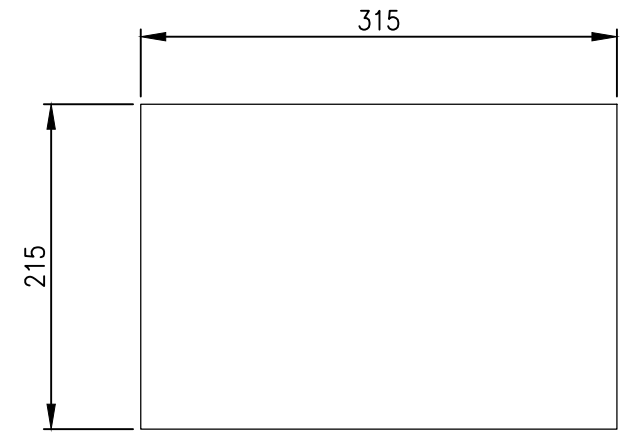
BACKING FLANGE



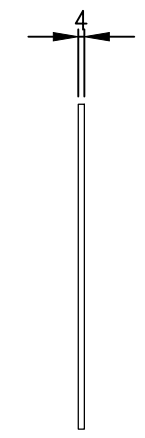
SIDE VIEW



ISOMETRIC VIEW



FRONT VIEW
POLYCARBONATE WINDOW



SIDE VIEW

MATERIAL
 FRAME: GRADE 316/316L STAINLESS STEEL
 BACKING FLANGE: GRADE 316/316L STAINLESS STEEL
 WINDOW: 4.0mm POLYCARBONATE
 SURFACE FINISH: 0.4 MICRON Ra BRUSHED FINISH

PROTECTION: IP66

© IP ENCLOSURES 2023.
 THIS DRAWING SHALL NOT BE COPIED OR REPRODUCED
 WITHOUT AUTHORISATION FROM IP ENCLOSURES.
 www.ipenclosures.com.au

Itemref	Quantity	Title/Name, designation, material, dimension etc	Article No./Reference
IP	1	IP66 316SS 200Hx300W VIEWING WINDOW	IP-WINDOW2030
IP	1	BACKING FLANGE	IP-WINDOW2030
IP	1	POLYCARBONATE WINDOW	IP-WINDOW2030
Edition		0	Sheet 1/1