

255m3/hr to 410m3/hr 250mm x 250mm

IP Enclosures provide a wide range of ventilation products for electrical enclosures. The front-opening grille allows filters to be easily maintained from the outside of the enclosure. All molded parts are made of highly resistant and self-extinguishing ABS. IP Enclosures ventilation products are manufactured to the highest quality in Italy.

Protection: IP54 (or IP55 if used with High Efficiency Filter Mat IP-VFXX or Vent Hood)

Conformity: 

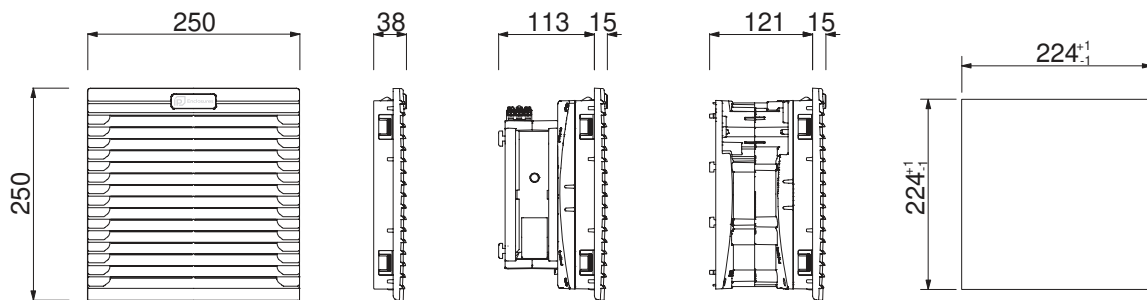
Material: ABS UL94V-0 Colour RAL7035(Optional Colour Black)

Flow Direction: Reversible



Features	Unit	IP-V4000	IP-V4300	IP-V4301	IP-V4324	IP-V4348	IP-V4400	IPV4401	IP-V4440
Air flow rate (free blow)	m3/h	-	255 (290)		255			410 (445)	
Air flow rate with exit filter	m3/h	-	202 (235)		202			280 (302)	
Power supply	V/Hz	-	230 / 50-60	115 / 50-60	24DC	48DC	230 / 50-60	115 / 50-60	400 / 50-60 /3~
Dimensions HxWxD	mm	250x250x38	250x250x128				250x250x136		
Power consumption	W	-	40 (38)		26	33	70 (90)		60 (70)
Current consumption	A	-	0.17 (0.16)	0.34 (0.32)	1.08	0.68	0.40 (0.38)	0.80 (0.76)	0.18 (0.15)
Overcurrent protection	-	-	thermal		impedance		thermal		
Electrical connection	-	-	3-poles spring terminals*		2-poles spring terminals*		3-poles spring terminals*		4-p s t*
Duty cycle	-	-	100%						
Operating temperature	°C (°F)	-10 / +70 (+14/+158)							
Protection degree / Class	-	IP54	IP54 / Class I						
Noise level	dB(A)	-	53 (58)		61		65 (68)		
Flow direction	-	-	reversible, default factory setting outside-in (inside-out for UPR)						
Bearing	-	-	ball						
Filter mat EN779	-	G3	G3						
Service life (at 40°C)	hr	-	50 000						
Material	-	ABS UL94V-0 color RAL7035							
Wall thickness	mm	1.2 - 2.4							
Gasket	-	foam seal gasket							
Weight (with packaging)	kg	0.52(0.62)	1.72(1.92)		1.53(1.73)		2.74(2.94)		
Package dimensions H x W x D	mm	270x270x47	270x270x165						
Mounting	-	fast clip-on							
Conformity/Certifications	-	CE							

* 0.5-2.5mm²



IP-V4300

IP-V4000

IP-V4300-4348

IP-4400-4440

Cut-Out Dimensions

255m³/hr to 410m³/hr 250mm x 250mm

