

FILTER FAN

IP-V4200-UV

Polycarbonate | UV Protection | IP55 High Efficiency (G4)

230V

IP Enclosures provide a wide range of ventilation fans for electrical enclosures. For the UV range, all moulded parts are made of UV-resistant polycarbonate. The front-opening grille allows filters to be easily maintained from the outside of the enclosure. IP Enclosures ventilation products are manufactured to the highest quality in Italy.

Standards: EN-60335-1, EN55014, EN6100-3-2, EN60529, Compliant to relevant Australian Standards, CE

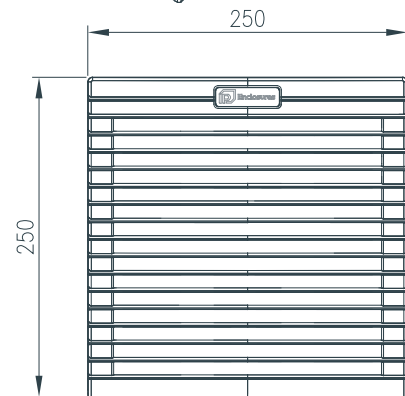
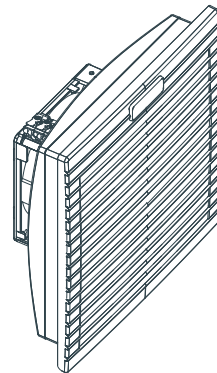
Material: Polycarbonate, UV Protection, RAL7035 Grey

Protection: IP55

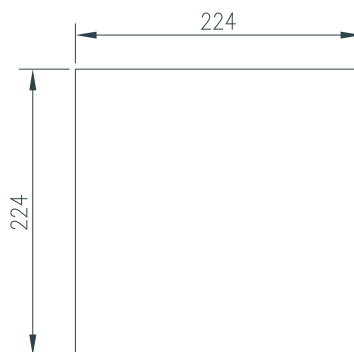
High Efficiency Filter: Self-extinguishing G4 synthetic fibre mat

Features	Unit	IP-V4200-UV
Air flow rate (free blow)	m ³ /h	110 (120)
Air flow rate with exit filter	m ³ /h	90 (100)
Power supply	V/Hz	230 / 50-60
Dimensions HxWxD	mm	250x250x107
Power consumption	W	22 (21)
Current consumption	A	0.14 (0.12)
Overcurrent protection	-	impedance
Electrical connection	-	3-poles spring terminals*
Duty cycle	-	100%
Operating temperature	°C (°F)	-10 / +70 (+14/+158)
Protection degree / Class	-	IP55 / Class I
Noise level	dB(A)	43 (49)
Flow direction	-	reversible, default factory setting outside-in
Bearing	-	ball
Filter mat EN779	-	G4
Cut-out Dimensions	mm	177x177
Service life (at 40°C)	hr	50 000
Material	-	Polycarbonate; Colour RAL7035
Replacement Filter Mat	-	IP-VF4
High Efficiency Filter Mat (G4)	-	IP-VF4X
Wall thickness	mm	1.2 - 2.4
Gasket	-	foam seal gasket
Weight (with packaging)	kg	1.30 (1.50)
Package dimensions H x W x D	mm	270x270x165
Mounting	-	fast clip-on
Conformity/Certifications	-	(Refer to the details above)

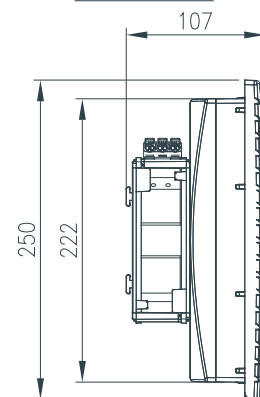
*0.5-2.5mm²



FRONT VIEW



CUT-OUT DIMENSION



LEFT SIDE VIEW

High efficiency filter mats are used in very fine dust environments. Air flow rates is substantially reduced and this should be take into account when selecting the filter fan.

