

115m3/hr 204mm x 204mm

IP Enclosures provide a wide range of ventilation products for electrical enclosures. The front-opening grille allows filters to be easily maintained from the outside of the enclosure. All molded parts are made of highly resistant and self-extinguishing ABS. IP Enclosures ventilation products are manufactured to the highest quality in Italy.

Protection: IP54 (or IP55 if used with High Efficiency Filter Mat IP-VFXX or Vent Hood)

Conformity:  

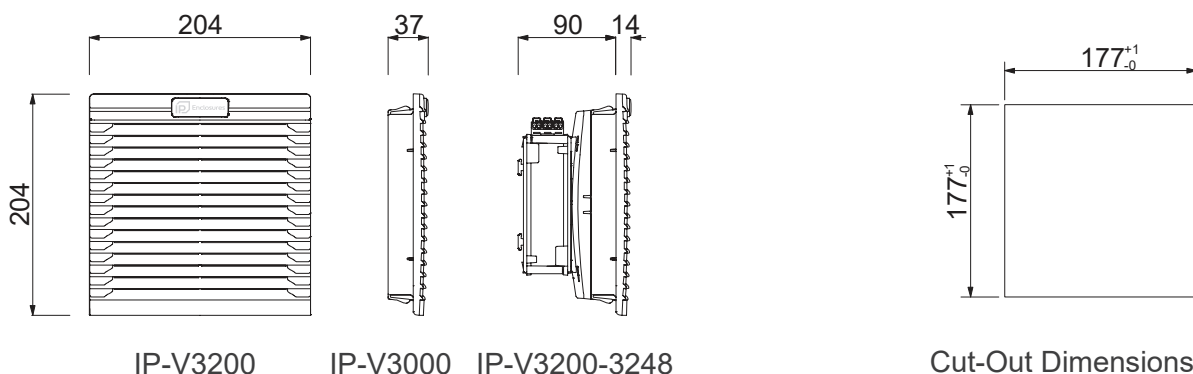
Material: ABS UL94V-0 Colour RAL7035(Optional Colour Black)

Flow Direction: Reversible



Features	Unit	IP-V3000	IP-V3200	IP-V3201	IP-V3224	IP-V3248
Air flow rate (free blow)	m3/h	-	115 (125)		115	
Air flow rate with exit filter	m3/h	-	84 (97)		84	
Power supply	V/Hz	-	230 / 50-60	115 / 50-60	24DC	48DC
Dimensions HxWxD	mm	204x204x37	204x204x104			
Power consumption	W	-	22 (21)		9	13
Current consumption	A	-	0.14 (0.12)	0.26 (0.24)	0.37	0.27
Overcurrent protection	-	-	impedance			
Electrical connection	-	-	3-poles spring terminals *		2-poles spring terminals *	
Duty cycle	-	-	100%			
Operating temperature	°C (°F)	-	-10 / +70 (+14/+158)			
Protection degree / Class	-	IP54	IP54 / Class I			
Noise level	dB(A)	-	43 (49)		45	
Flow direction	-	-	reversible, default factory setting outside-in			
Bearing	-	-	ball			
Filter mat EN779	-	G3	G3			
Service life (at 40°C)	hr	-	50 000			
Material	-	ABS UL94V-0 color RAL7035				
Wall thickness	mm	1.2 - 2.4				
Gasket	-	foam seal gasket				
Weight (with packaging)	kg	0.32(0.42)	0.98(1.18)		0.70(0.90)	
Package dimensions	mm	220x220x43	220x220x110			
Mounting	-	fast clip-on				
Conformity/Certifications	-	CE				

* 0.5-2.5mm²



115m³/hr 204mm x 204mm

