

FILTER FAN

IP-V2200-UV

Polycarbonate | UV Protection | IP55 High Efficiency (G4)

230V

IP Enclosures provide a wide range of ventilation fans for electrical enclosures. For the UV range, all moulded parts are made of UV-resistant polycarbonate. The front-opening grille allows filters to be easily maintained from the outside of the enclosure. IP Enclosures ventilation products are manufactured to the highest quality in Italy.

Standards: EN-60335-1, EN55014, EN6100-3-2, EN60529, Compliant to relevant Australian Standards, CE

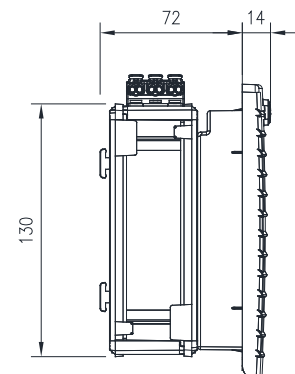
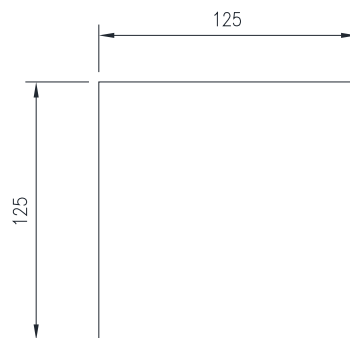
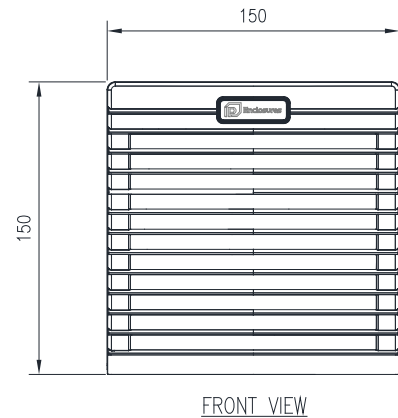
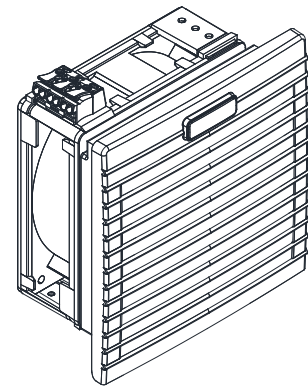
Material: Polycarbonate, UV Protection, RAL7035 Grey

Protection: IP55

High Efficiency Filter: Self-extinguishing G4 synthetic fibre mat

Features	Unit	IP-V2200-UV
Air flow rate (free blow)	m³/h	44 (48)
Air flow rate with exit filter	m³/h	29 (32)
Power supply	V/Hz	230 / 50-60
Dimensions HxWxD	mm	150x150x86
Power consumption	W	22 (21)
Current consumption	A	0.14 (0.12)
Overcurrent protection	-	impedance
Electrical connection	-	3-poles spring terminals*
Duty cycle	-	100%
Operating temperature	°C (°F)	-10 / +70 (+14/+158)
Protection degree / Class	-	IP55 / Class I
Noise level	dB(A)	43 (49)
Flow direction	-	reversible, default factory setting outside-in
Bearing	-	ball
Filter mat EN779	-	G4
Cut-out Dimensions	mm	125x125
Service life (at 40°C)	hr	50 000
Material	-	Polycarbonate; Colour RAL7035
Replacement Filter Mat	-	IP-VF2
High Efficiency Filter Mat (G4)	-	IP-VF2X
Wall thickness	mm	1.2 - 2.4
Gasket	-	foam seal gasket
Weight (with packaging)	kg	0.76 (0.83)
Package dimensions H x W x D	mm	165x165x90
Mounting	-	fast clip-on
Conformity/Certifications	-	(Refer to the details above)

*0.5-2.5mm²



High efficiency filter mats are used in very fine dust environments. Air flow rates is substantially reduced and this should be take into account when selecting the filter fan.

