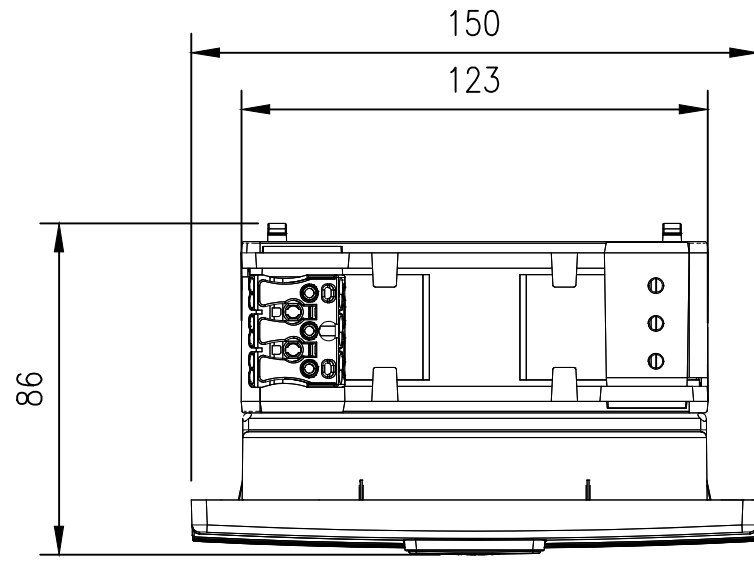
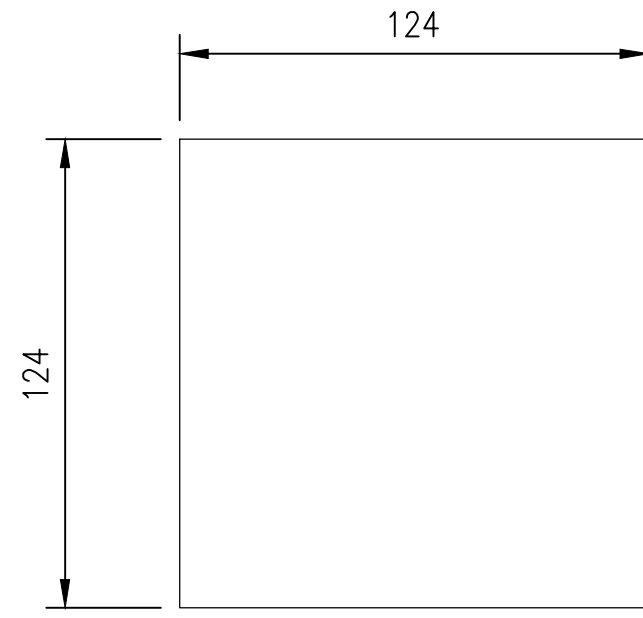


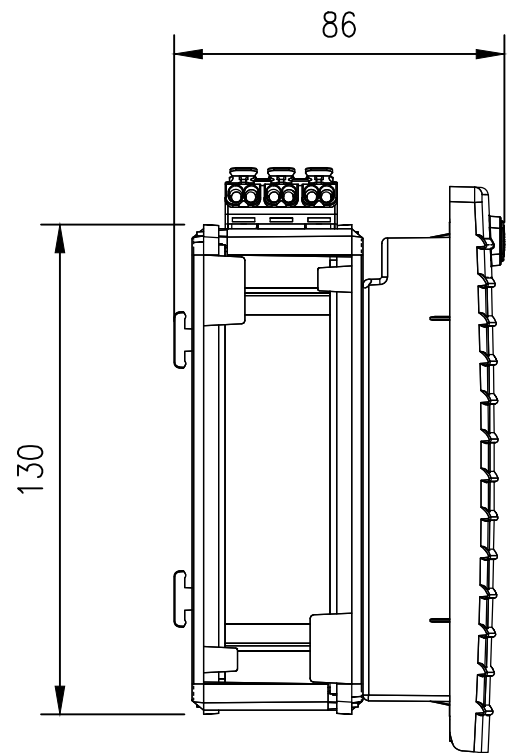
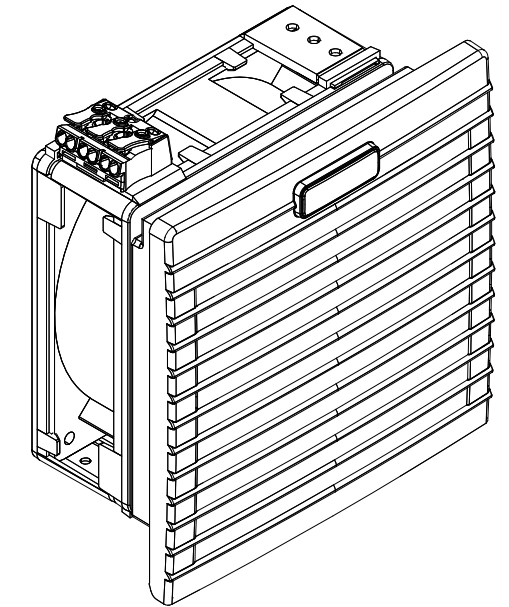
| RevNo | Revision note | Date | Signature | Checked |
|-------|------------------|------|-----------|---------|
| 0 | GENERAL REVISION | | IP | IP |



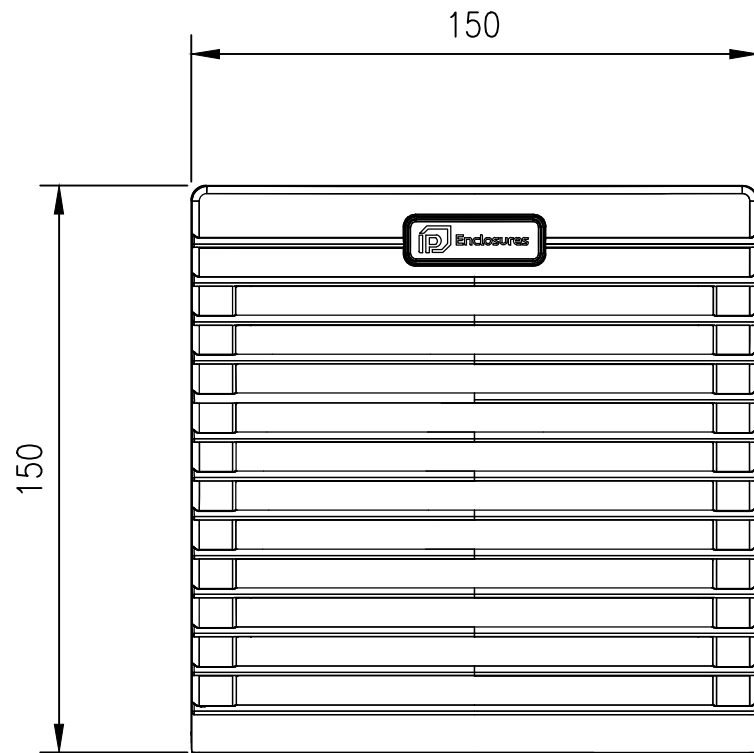
TOP VIEW



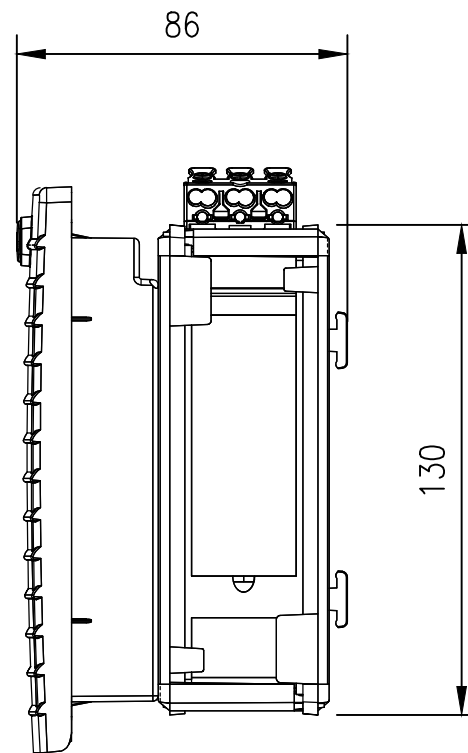
CUT-OUT DIMENSION



LEFT SIDE VIEW



FRONT VIEW



RIGHT SIDE VIEW

MATERIAL
 ALL MOLDED PARTS: ABS, UL94V-0
 WALL THICKNESS: 1.2-2.4mm
 GASKET: FOAM SEAL GASKET
 MOUNTING: FAST CLIP-ON
 FILTER MAT EN779: G3
 STANDARD COLOUR: RAL7035
 AIR FLOW RATE: 58(64)m³/hr
 FAN DIMENSIONS: 150Hx150Wx86Dmm
 CUT-OUT DIMENSIONS: 124mmx124mm

MASS (WITH PACKAGING): 0.76(0.83)kg.

PROTECTION: IP54/CLASS I

© IP ENCLOSURES 2022.
 THIS DRAWING SHALL NOT BE COPIED OR REPRODUCED
 WITHOUT AUTHORISATION FROM IP ENCLOSURES.
 www.ipenclosures.com.au

| Itemref | Quantity | Title/Name, designation, material, dimension etc | Article No./Reference |
|-------------------|------------------|--|-----------------------|
| Designed by IP | Checked by IP | Approved by - date | Filename IP-V2200 |
| | | Date 21/06/22 | Scale 1:2 |
| | | 150x150x86 FILTER FAN | |
| | | IP-V2200 | Edition 0 |
| | | | Sheet 1/1 |