

FILTER FAN

IP-V2200

58m³/hr 150mm x 150mm

IP Enclosures provide a wide range of ventilation products for electrical enclosures. The front-opening grille allows filters to be easily maintained from the outside of the enclosure. All moulded parts are made of highly resistant and self-extinguishing ABS. IP Enclosures ventilation products are manufactured to the highest quality in Italy.

Standards: EN-60335-1, EN55014, EN6100-3-2, EN60529, Compliant to relevant Australian Standards, CE

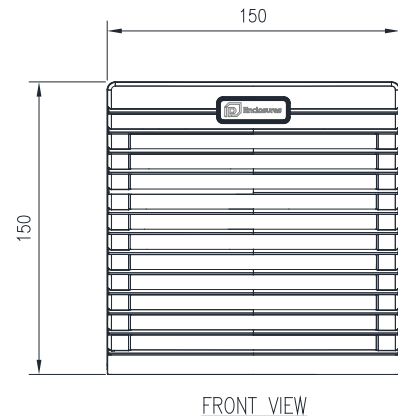
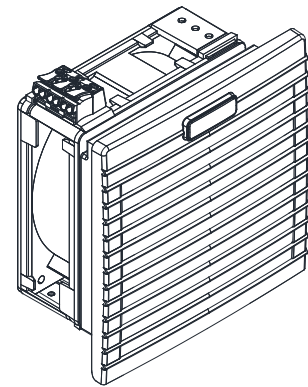
Material: ABS, Self-extinguishing UL94V-0, RAL7035 Grey

Protection: IP54

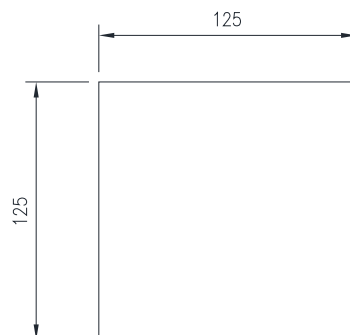
Standard Filter: Self-extinguishing G3 synthetic fibre mat

Features	Unit	IP-V2200
Air flow rate (free blow)	m³/h	58 (64)
Air flow rate with exit filter	m³/h	43 (48)
Power supply	V/Hz	230 / 50-60
Dimensions HxWxD	mm	150x150x86
Power consumption	W	22 (21)
Current consumption	A	0.14 (0.12)
Overcurrent protection	-	impedance
Electrical connection	-	3-poles spring terminals*
Duty cycle	-	100%
Operating temperature	°C (°F)	-10 / +70 (+14/+158)
Protection degree / Class	-	IP54 / Class I
Noise level	dB(A)	43 (49)
Flow direction	-	reversible, default factory setting outside-in
Bearing	-	ball
Filter mat EN779	-	G3
Cut-out Dimensions	mm	125x125
Service life (at 40°C)	hr	50 000
Material	-	ABS UL94V-0; Colour RAL7035
Replacement Filter Mat	-	IP-VF2
High Efficiency Filter Mat (G3)	-	IP-VF2X
Wall thickness	mm	1.2 - 2.4
Gasket	-	foam seal gasket
Weight (with packaging)	kg	0.76 (0.83)
Package dimensions H x W x D	mm	165x165x90
Mounting	-	fast clip-on
Conformity/Certifications	-	(Refer to the details above)

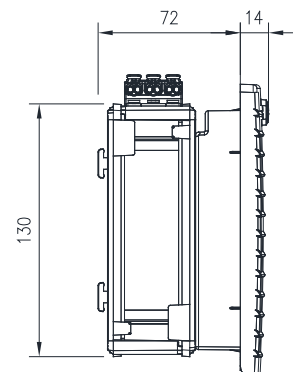
*0.5-2.5mm²



FRONT VIEW



CUT-OUT DIMENSION



LEFT SIDE VIEW

FILTER FAN

IP-V2200

58m³/hr 150mm x150mm

