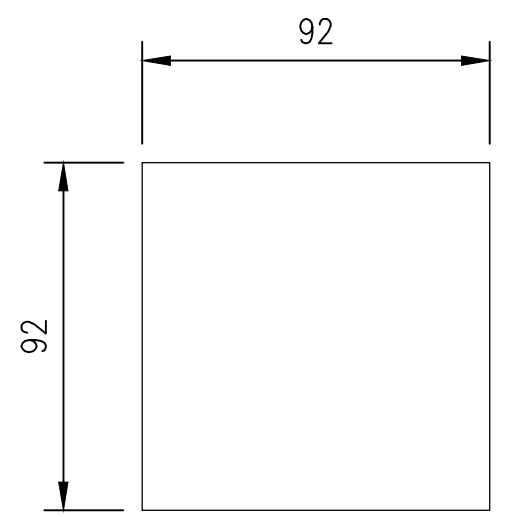
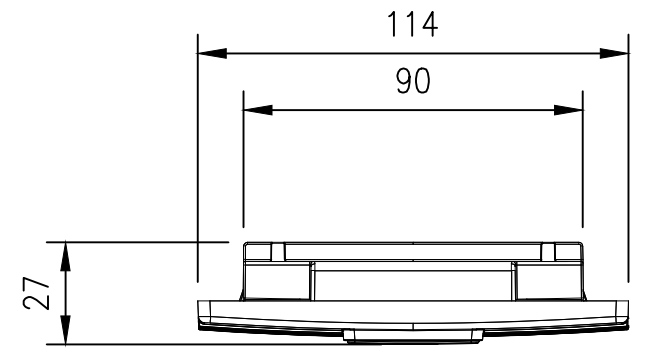


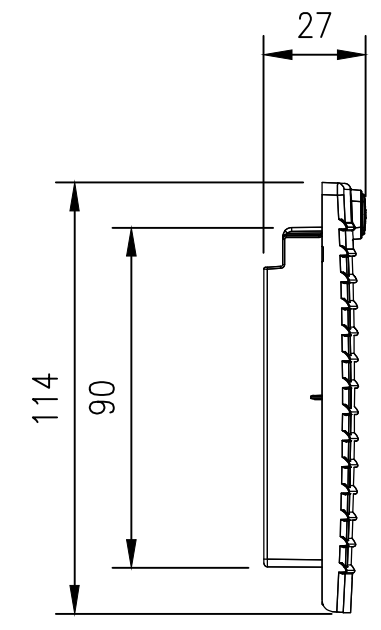
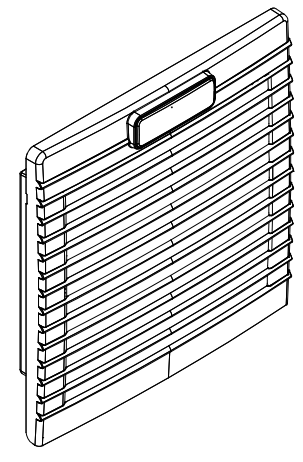
RevNo	Revision note	Date	Signature	Checked
0	GENERAL REVISION		IP	IP



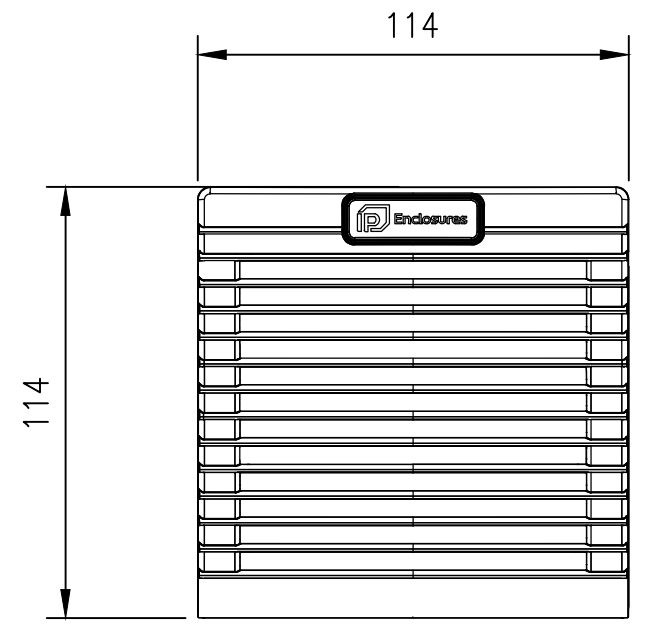
CUT-OUT DIMENSION



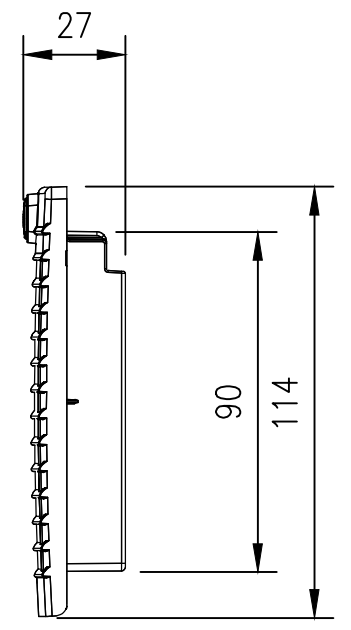
TOP VIEW



LEFT SIDE VIEW



FRONT VIEW



RIGHT SIDE VIEW

MATERIAL
 ALL MOLDED PARTS: ABS, UL94V-0
 WALL THICKNESS: 1.2-2.4mm
 GASKET: FOAM SEAL GASKET
 MOUNTING: FAST CLIP-ON
 FILTER MAT EN779: G2
 STANDARD COLOUR: RAL7035
 VENT DIMENSIONS: 114Hx114Wx27Dmm
 CUT-OUT DIMENSIONS: 92mmx92mm

MASS (WITH PACKAGING): 0.09(0.11)kg.

PROTECTION: IP54

© IP ENCLOSURES 2022.
 THIS DRAWING SHALL NOT BE COPIED OR REPRODUCED
 WITHOUT AUTHORISATION FROM IP ENCLOSURES.
 www.ipenclosures.com.au

Itemref	Quantity	Title/Name, designation, material, dimension etc	Article No./Reference
Designed by IP	Checked by IP	Approved by - date IP-V1000	Date 21/06/22
Scale 1:2		114x114x27 FILTER VENT	
Edition 0		Sheet 1/1	