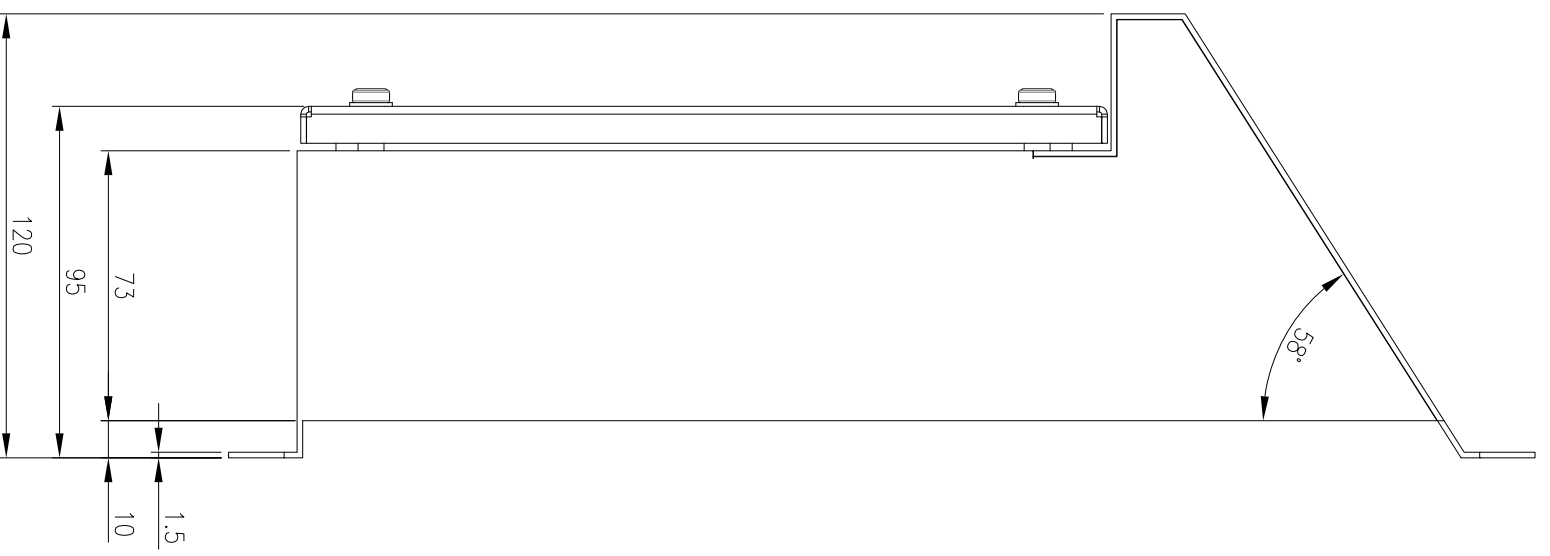
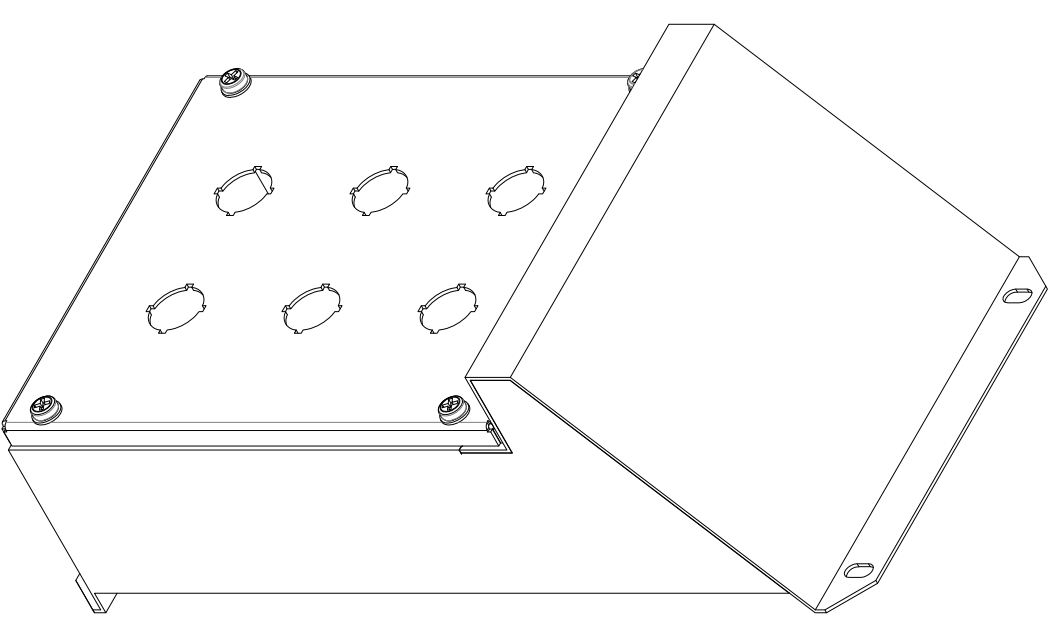


FRONT VIEW



SIDE VIEW



MATERIAL
 BODY: 1.5mm 316 STAINLESS STEEL
 DOOR: 1.5mm 316 STAINLESS STEEL
 SEAL: POLYURETHANE

PROTECTION: IP66
STANDARD: IEC/EN/AS60529

© IP ENCLOSURES 2016.
 THIS DRAWING SHALL NOT BE COPIED OR REPRODUCED
 WITHOUT AUTHORISATION FROM IP ENCLOSURES.
 www.ipenclosures.com.au

Item#	Quantity	PartName, designation, material, dimension etc.	Article No./Reference	Scale
IP	1	6 HOLE SLOPED PUSHBUTTON ENCLOSURE	IP-SS3P66	1:2
IP	1	6 HOLE SLOPED PUSHBUTTON ENCLOSURE	IP-SS3P66	1:1