

Pushbutton Enclosure

IP-SSSRPB1

316 STAINLESS STEEL | SLOPING ROOF | IP66

1 HOLE

IP Enclosures SSSRPB Range of grade 316/316L stainless steel pushbutton enclosures are suitable for extreme duty heavy industrial applications.

Size: 1 Hole, 22mm

Protection: Complies with IP66

Standard: AS/EN/IEC60529 

Material:

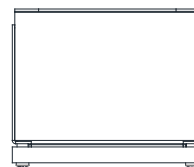
- Body: 1.5mm 316/316L Stainless Steel
- Lid/Door: 1.5mm 316/316L Stainless Steel
- Seal: Polyurethane

Surface Finish: 0.4 micron Ra surface brushed finish

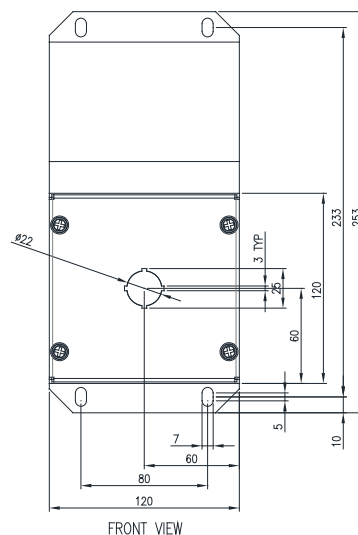
Body: The robust monoblock body is fabricated using 1.5mm 316/316L stainless steel. Flat face sealing surfaces are provided to increase seal life. Integral mounting feet to suit M6 fasteners are provided.

Lid/Door: The robust door is fabricated using grade 1.5mm 316/316L stainless steel and incorporates a polyurethane seal and M5 fasteners.

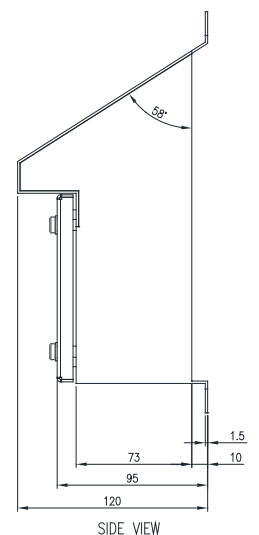
Seal: A high quality machine-applied full perimeter Polyurethane seal foamed in place (FIP) provides



TOP VIEW



FRONT VIEW



SIDE VIEW