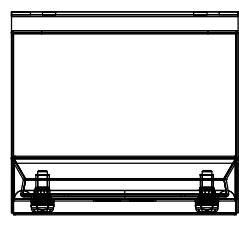
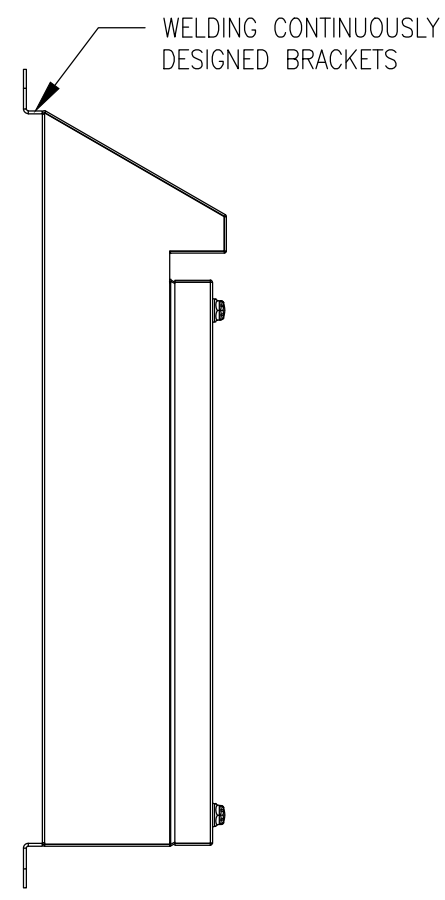


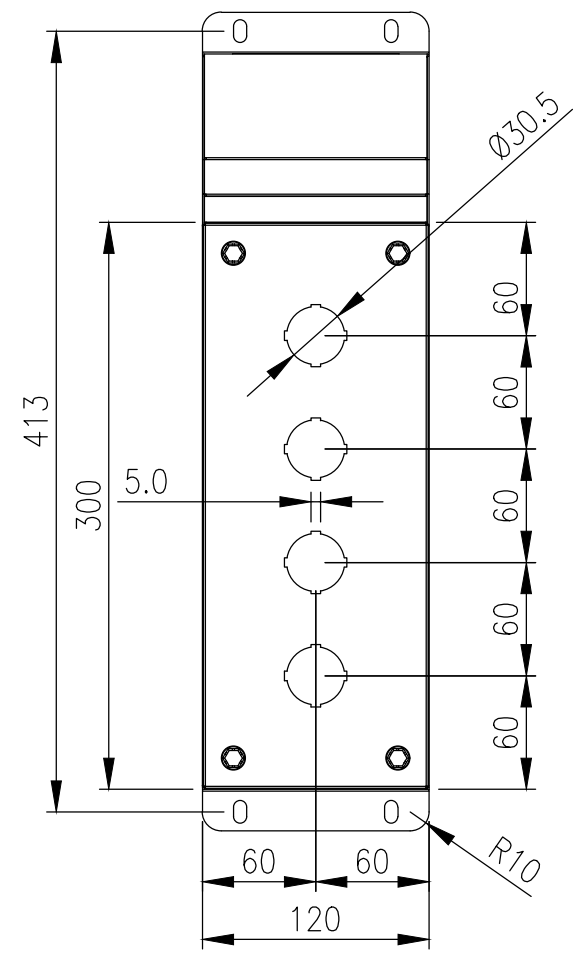
RevNo	Revision note	Date	Signature	Checked
0	GENERAL REVISION		IP	IP



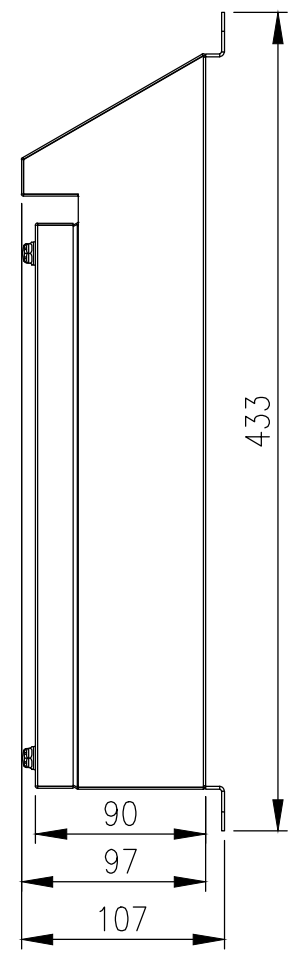
TOP VIEW



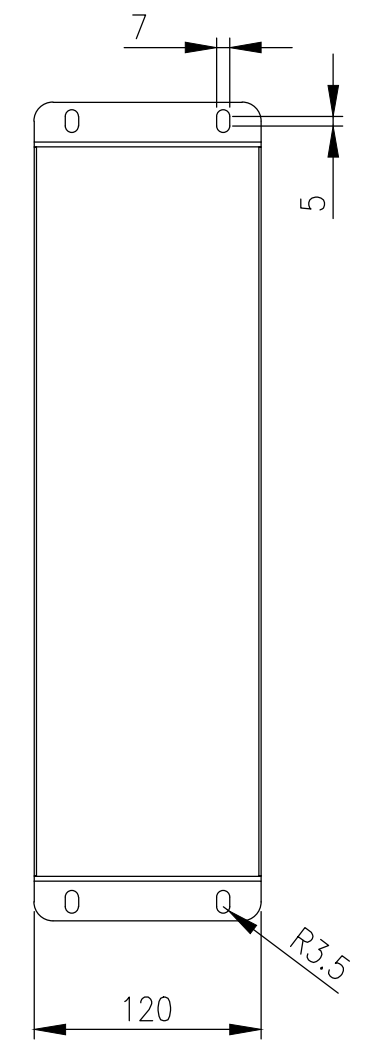
LEFT SIDE VIEW



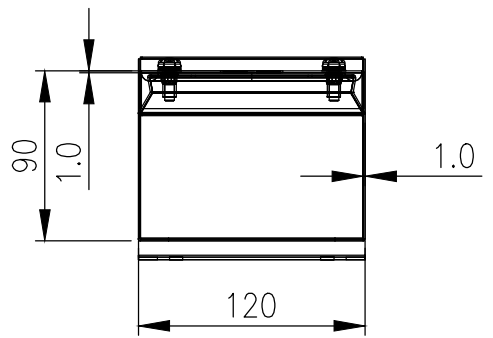
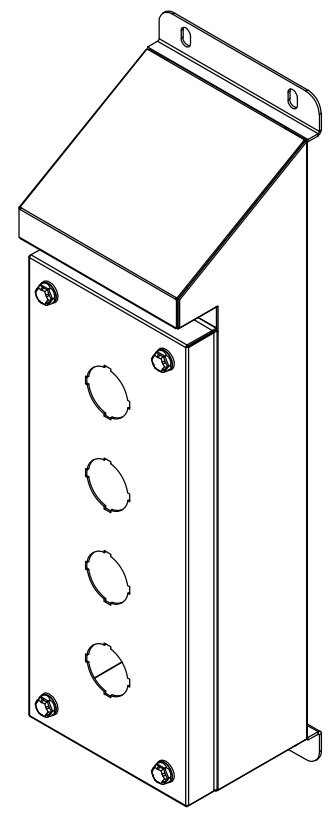
FRONT VIEW



RIGHT SIDE VIEW



REAR VIEW



BOTTOM VIEW

MATERIAL
 BODY: 1.0mm 316 STAINLESS STEEL
 DOOR: 1.0mm 316 STAINLESS STEEL
 SEAL: SILICONE

MASS: 1.84Kg.

PROTECTION: IP66, IP67, IP69K, NEMA 4x, UL 508A

© IP ENCLOSURES 2022.
 THIS DRAWING SHALL NOT BE COPIED OR REPRODUCED
 WITHOUT AUTHORISATION FROM IP ENCLOSURES.
 www.ipenclosures.com.au

Itemref	Quantity	Title/Name, designation, material, dimension etc	Article No./Reference
IP	1	300x120x90 316SS SLOPED ROOF PUSHBUTTON	IP-SSSRP4-30
Designed by	Checked by	Approved by - date	Filename Date Scale
IP	IP	19/05/25	IP-SSSRP4-30 19/05/25 1:4
IP Enclosures			300x120x90 316SS SLOPED ROOF PUSHBUTTON
IP-SSSRP4-30			Edition 0 Sheet 1/1