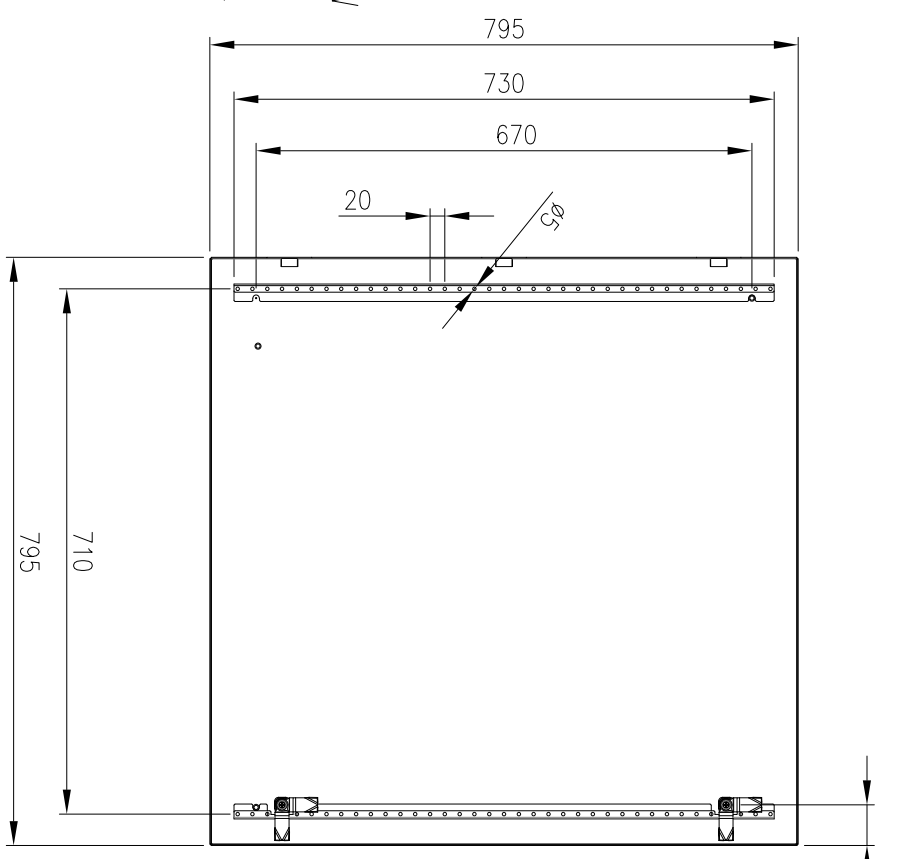
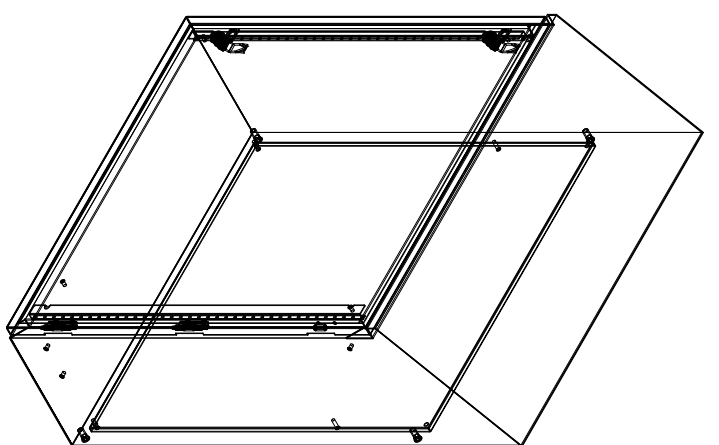
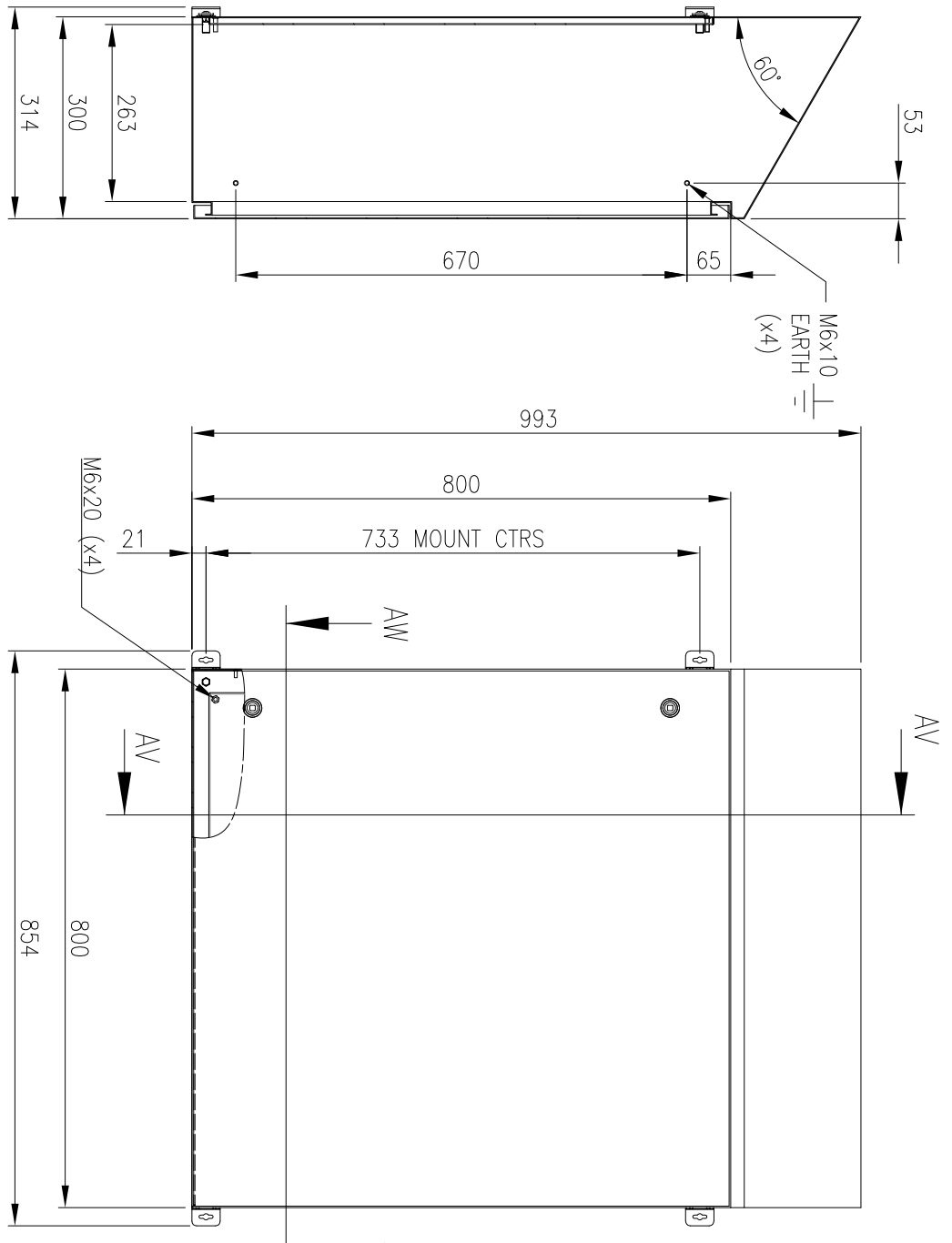


RevNo	Revision note	Date	Signature	Checked
2	GENERAL REVISION	9/7/19	IP	IP

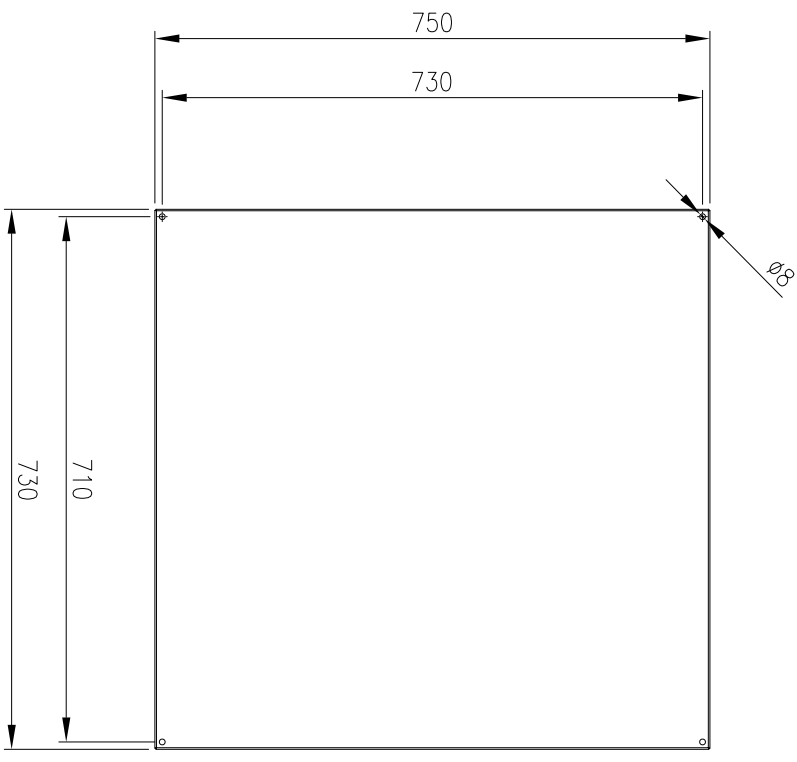


INSIDE DOOR VIEW

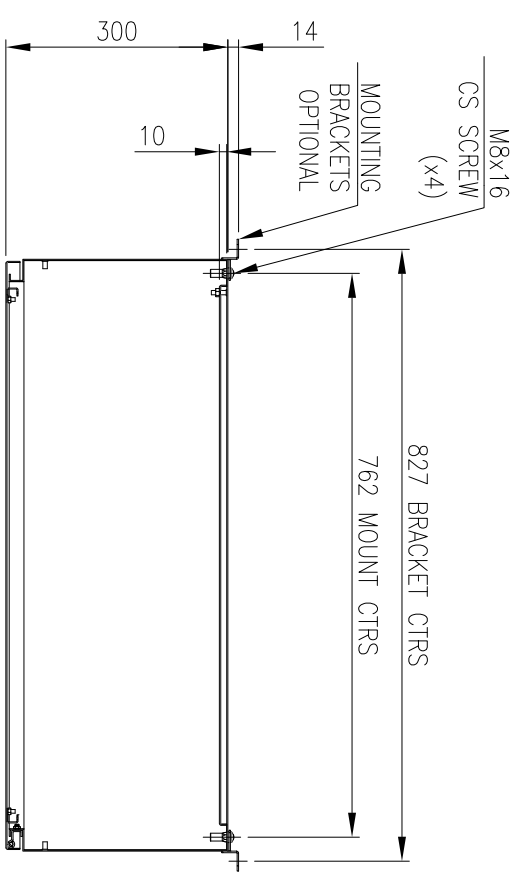


FRONT VIEW

SECTION AV-AV



DEVICE MOUNTING PLATE



SECTION AW-AW

**MATERIAL**  
 BODY: 1.5mm 316 STAINLESS STEEL  
 DOOR: 1.5mm 316 STAINLESS STEEL  
 DEVICE PLATE: 1.5mm GALV STEEL  
 SEAL: POLYURETHANE  
 PROTECTION: IP66 IK10, NEMA4x  
 STANDARD: IEC62208, IEC/EN/AS60529

© IP ENCLOSURES 2016.  
 THIS DRAWING SHALL NOT BE COPIED OR REPRODUCED  
 WITHOUT AUTHORISATION FROM IP ENCLOSURES.  
 www.ipenclosures.com.au

Item#	Quantity	PartName, designation, material, dimension etc.	Article No./Reference	Scale
IP		800x800x300 316SS SLOPING ROOF ENCLOSURE		1:10
IP		IP-SSSR80030-01		1/1

