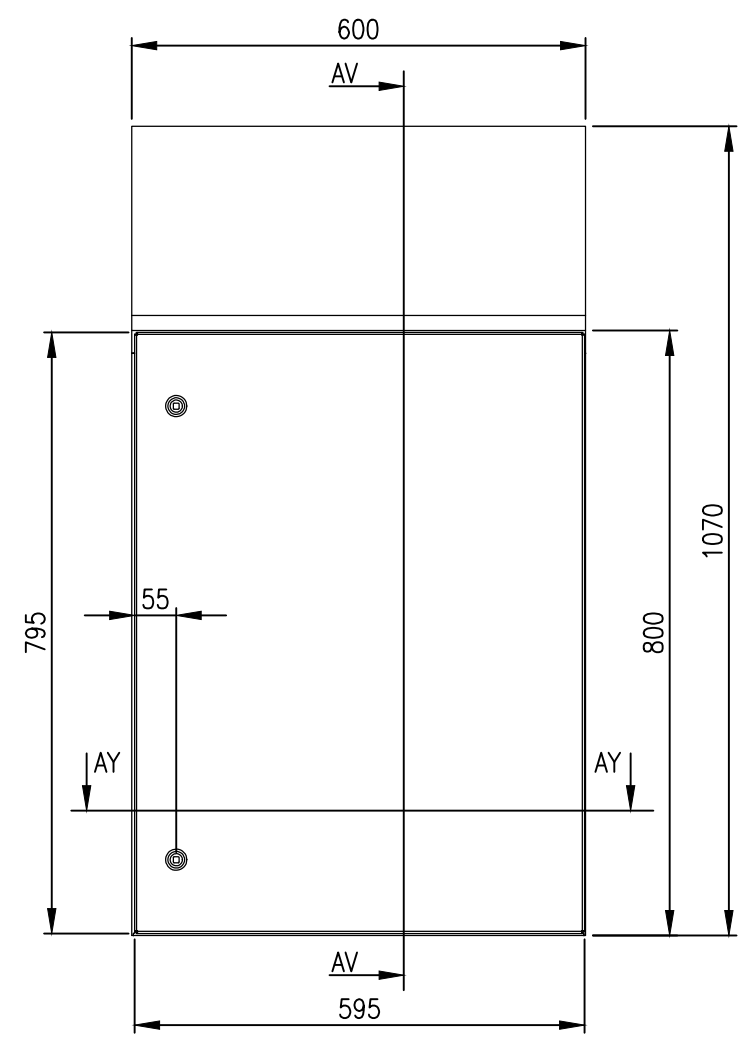
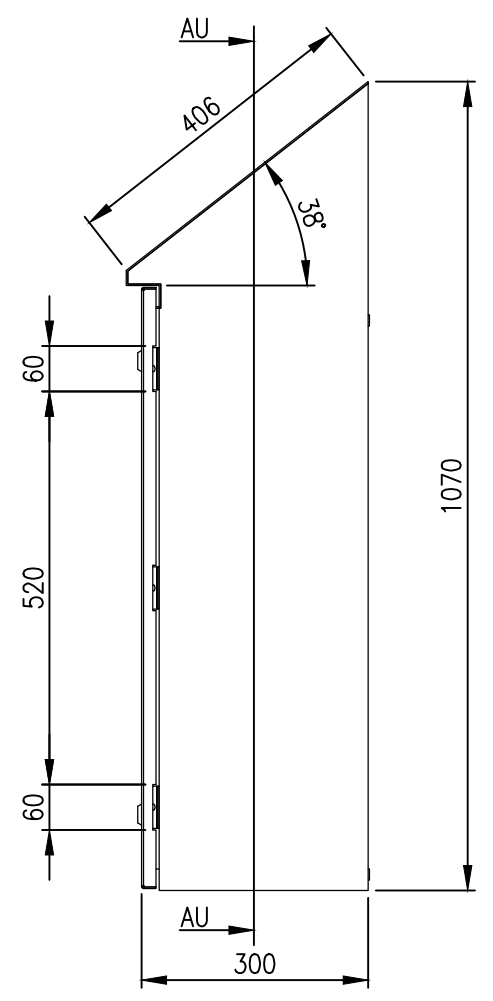


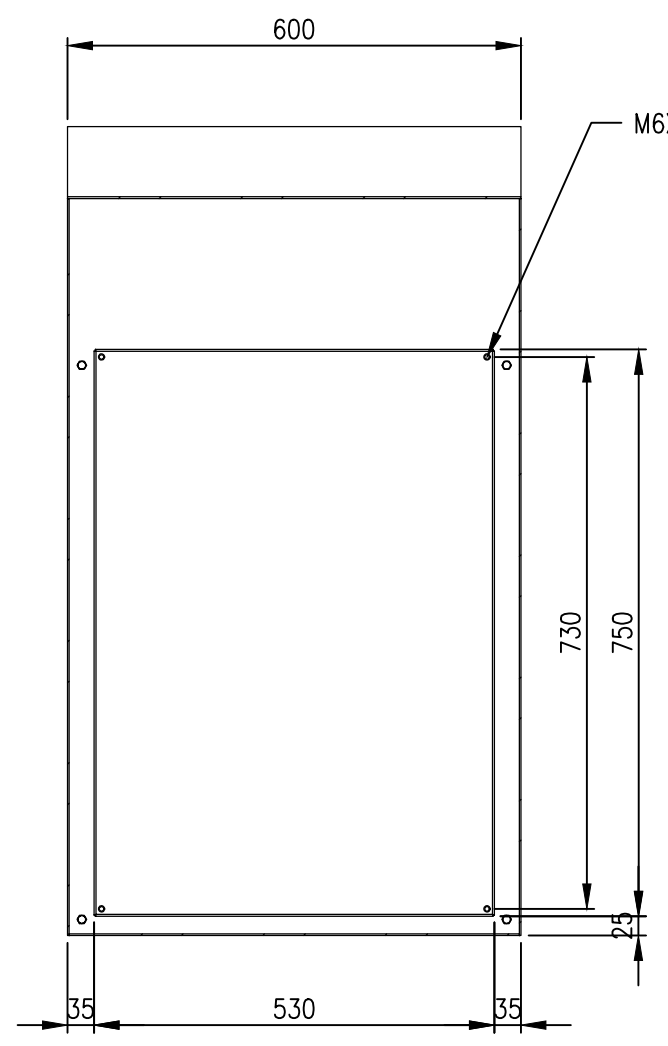
SECTION AV-AV



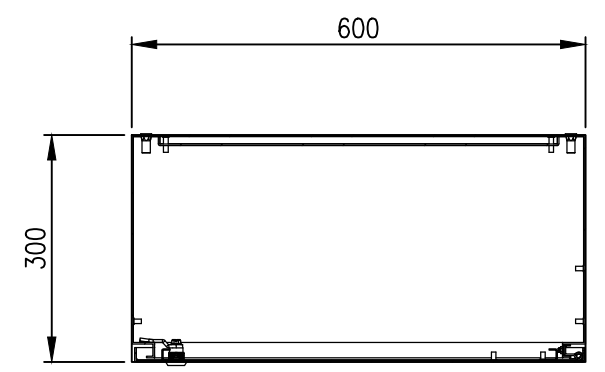
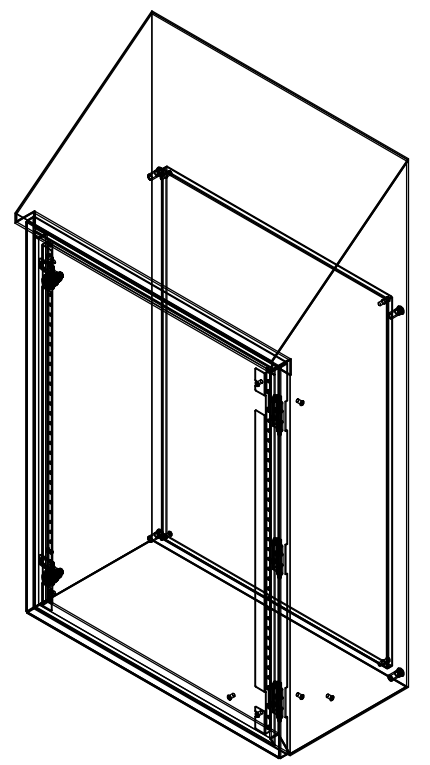
FRONT VIEW



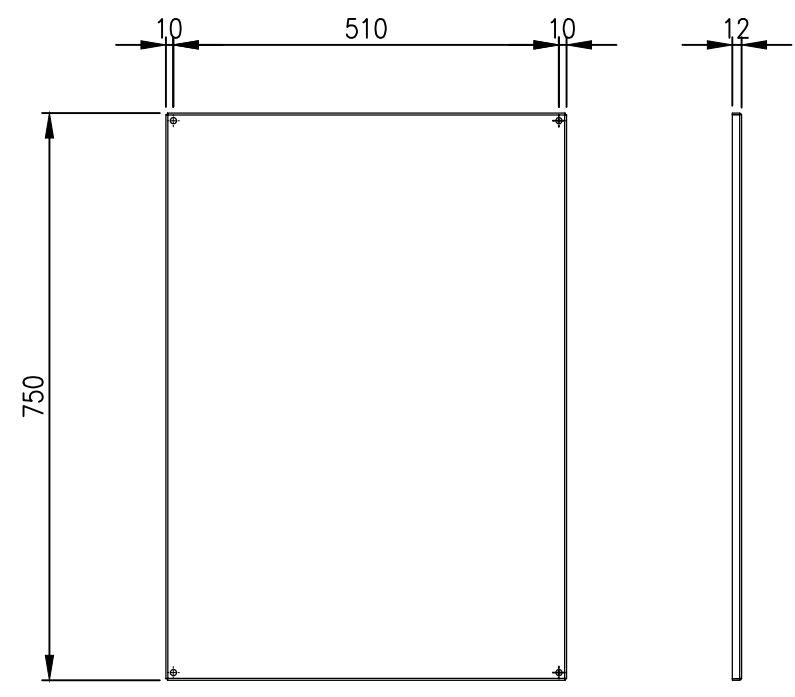
RIGHT SIDE VIEW



SECTION AU-AU



SECTION AY-AY



MOUNTING PLATE
(PAINTED TO RAL9010)

MATERIAL
 BODY: 2.0mm 316 STAINLESS STEEL
 DOOR: 2.0mm 316 STAINLESS STEEL
 MOUNTING PLATE: GALVANISED STEEL SHEET
 SEAL: POLYURETHANE

PROTECTION: IP66 IK10, NEMA 4x
 STANDARD: IEC62208, IEC/EN/AS60529

© IP ENCLOSURES 2023.
 THIS DRAWING SHALL NOT BE COPIED OR REPRODUCED WITHOUT
 AUTHORISATION FROM IP ENCLOSURES.
 www.ipenclosures.com.au

Itemref	Quantity	Title/Name, designation, material, dimension etc	Article No./Reference
IP	1	800x600x300 HD 316SS SLOPING ROOF ENCLOSURE	IP-SSSR06030-HD
IP	1	MOUNTING PLATE (PAINTED TO RAL9010)	IP-SSSR06030-HD

Designed by: IP Checked by: IP Approved by - date: 18/01/23 Filename: IP-SSSR06030-HD Date: 18/01/23 Scale: 1:10

IP Enclosures Edition: 0 Sheet: 1/1