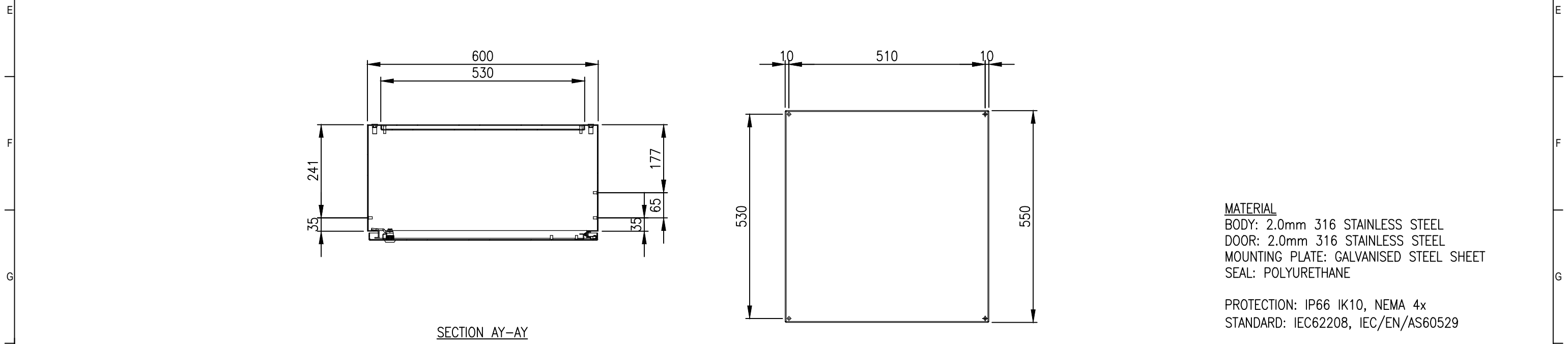


SECTION AV-AV

FRONT VIEW

RIGHT SIDE VIEW

SECTION AU-AU



SECTION AY-AY

MOUNTING PLATE  
(PAINTED TO RAL9010)

**MATERIAL**  
 BODY: 2.0mm 316 STAINLESS STEEL  
 DOOR: 2.0mm 316 STAINLESS STEEL  
 MOUNTING PLATE: GALVANISED STEEL SHEET  
 SEAL: POLYURETHANE

PROTECTION: IP66 IK10, NEMA 4x  
 STANDARD: IEC62208, IEC/EN/AS60529

© IP ENCLOSURES 2022.  
 THIS DRAWING SHALL NOT BE COPIED OR REPRODUCED WITHOUT  
 AUTHORISATION FROM IP ENCLOSURES.  
 www.ipenclosures.com.au

|                   |                  |  |                             |                  |                       |  |
|-------------------|------------------|--|-----------------------------|------------------|-----------------------|--|
| Itemref           | Quantity         | Title/Name, designation, material, dimension etc |                             |                  | Article No./Reference |  |
| Designed by<br>IP | Checked by<br>IP | Approved by - date<br>01/08/22                   | Filename<br>IP-SSSR60630-HD | Date<br>01/08/22 | Scale<br>1:10         |  |
|                   |                  | 600x600x300 HD 316SS SLOPING ROOF ENCLOSURE      |                             |                  |                       |  |
|                   |                  | IP-SSSR60630-HD                                  |                             | Edition<br>0     | Sheet<br>1/1          |  |