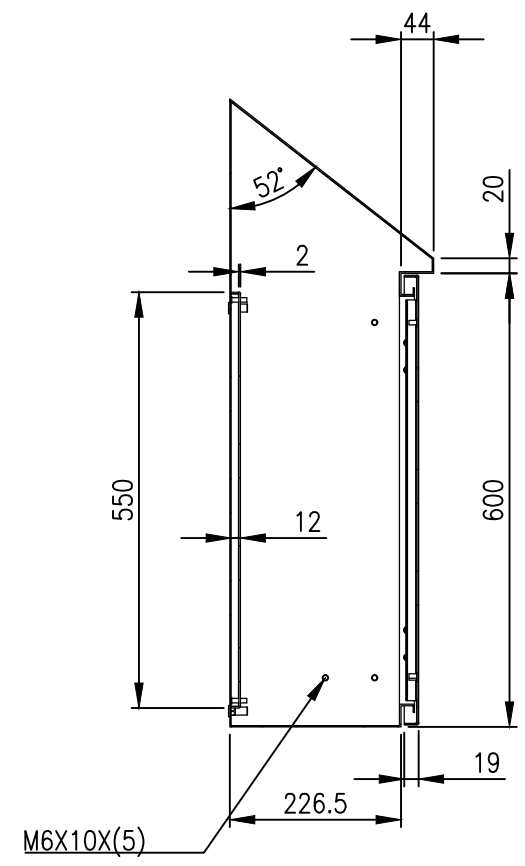
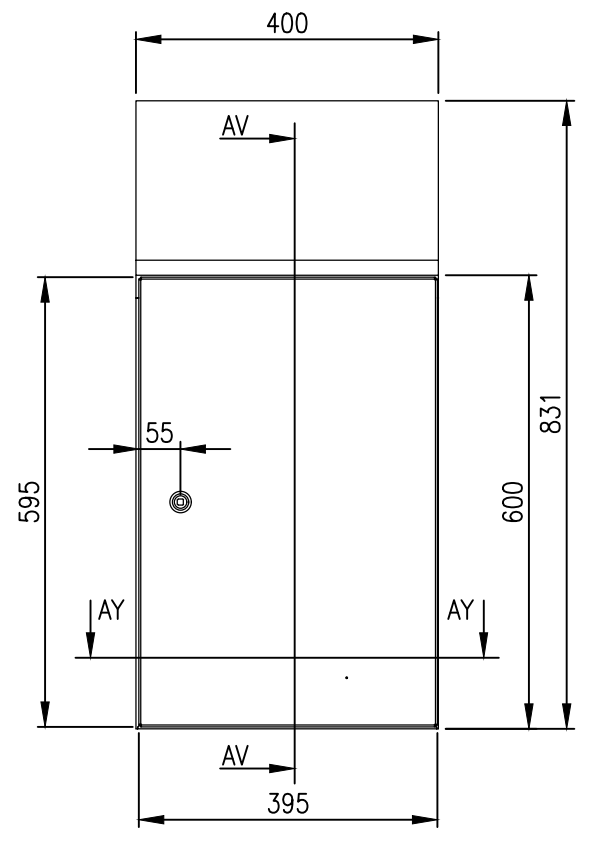


A
B
C
D
E
F
G
H

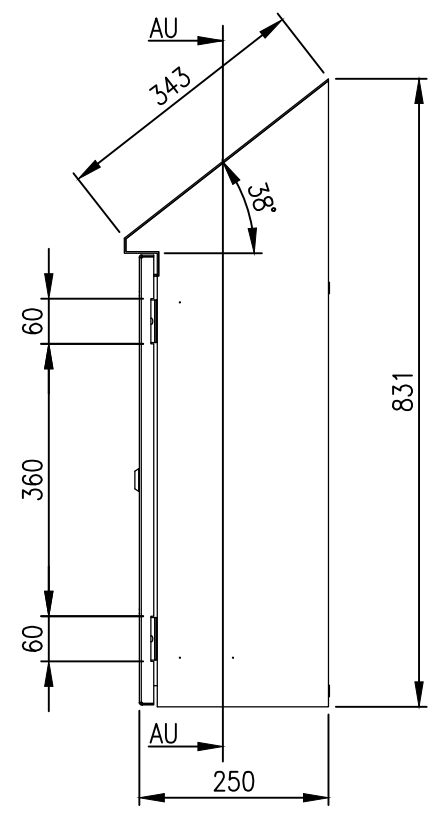
A
B
C
D
E
F
G
H



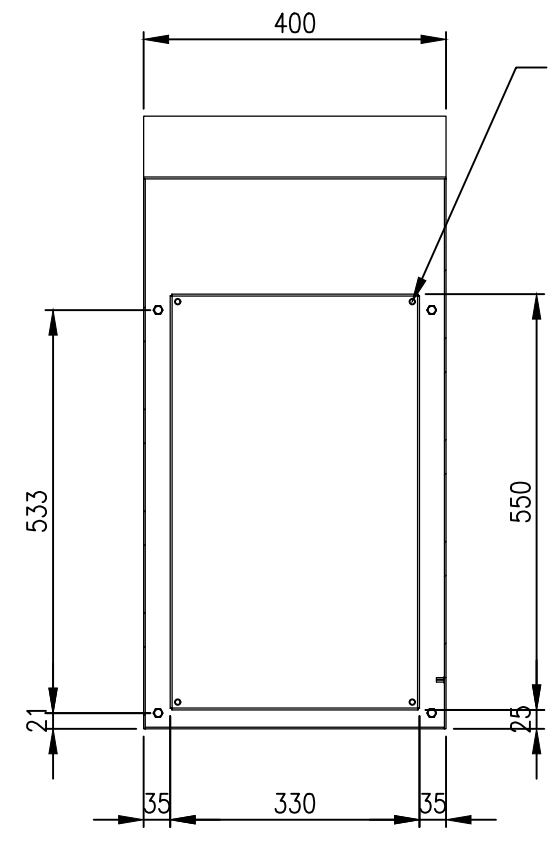
SECTION AV-AV



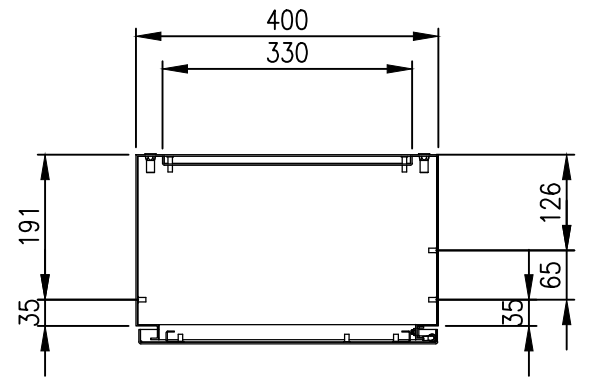
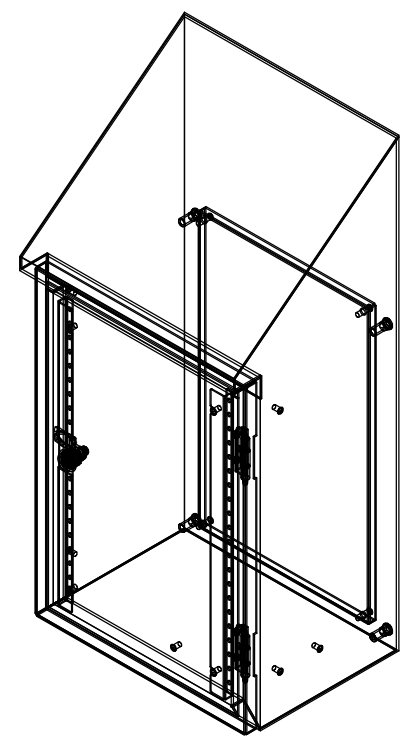
FRONT VIEW



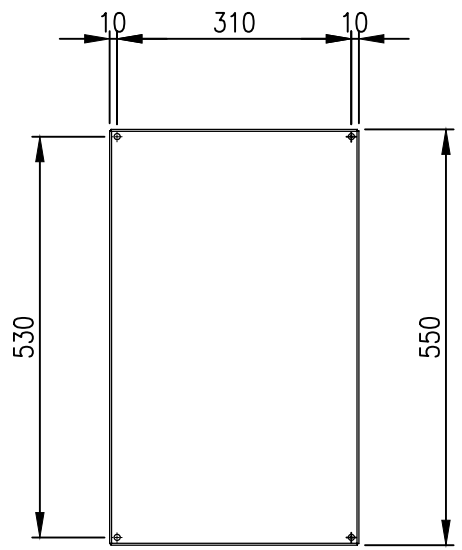
RIGHT SIDE VIEW



SECTION AU-AU



SECTION AY-AY



MOUNTING PLATE
(PAINTED TO RAL9010)

MATERIAL
 BODY: 2.0mm 316 STAINLESS STEEL
 DOOR: 2.0mm 316 STAINLESS STEEL
 MOUNTING PLATE: GALVANISED STEEL SHEET
 SEAL: POLYURETHANE

PROTECTION: IP66 IK10, NEMA 4x
 STANDARD: IEC62208, IEC/EN/AS60529

© IP ENCLOSURES 2024.
 THIS DRAWING SHALL NOT BE COPIED OR REPRODUCED
 WITHOUT AUTHORISATION FROM IP ENCLOSURES.
 www.ipenclosures.com.au

Itemref	Quantity	Title/Name, designation, material, dimension etc	Article No./Reference
IP	1	600x400x250 HD 316SS SLOPING ROOF ENCLOSURE	IP-SSSR604025-HD
Designed by	Checked by	Approved by - date	Filename
IP	IP	29/02/24	IP-SSSR604025-HD
Date	Scale	Edition	
29/02/24	1:10	0	
Sheet		1/1	