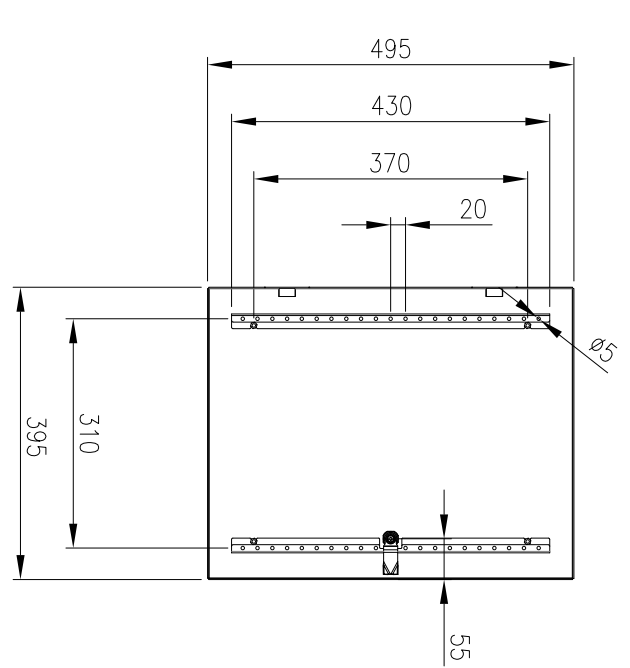
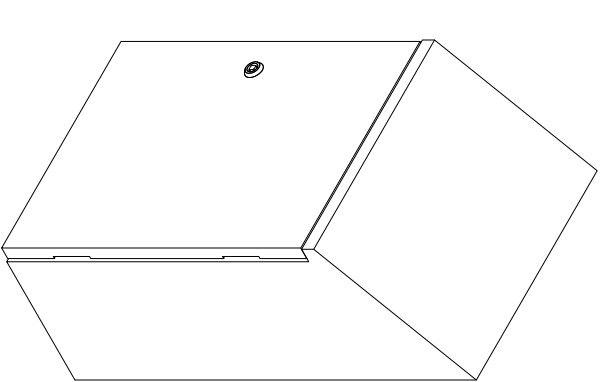
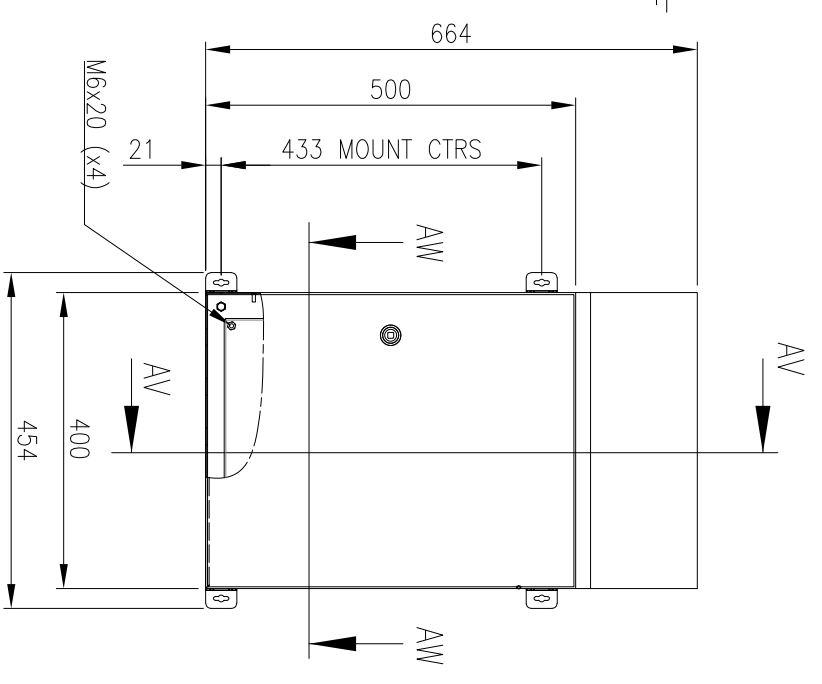


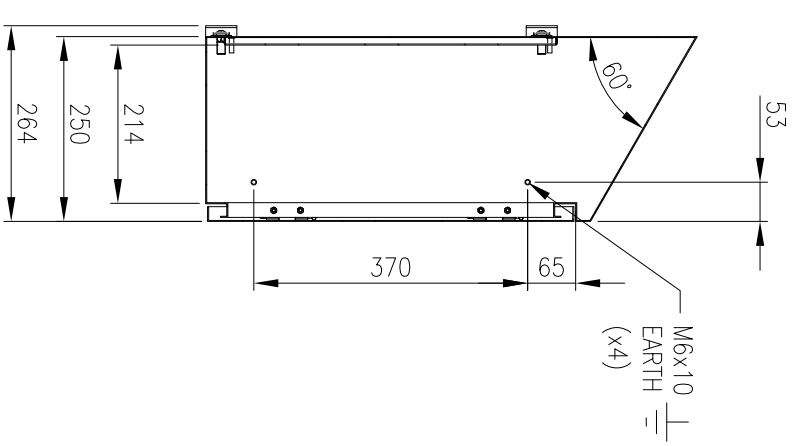
RevNo	Revision note	Date	Signature	Checked
2	GENERAL REVISION	9/8/17	IP	IP



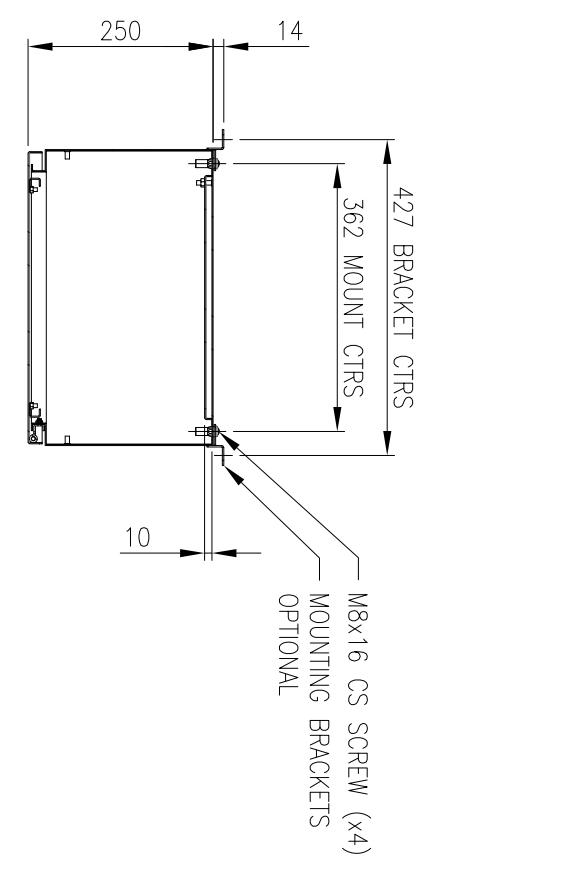
INSIDE DOOR VIEW



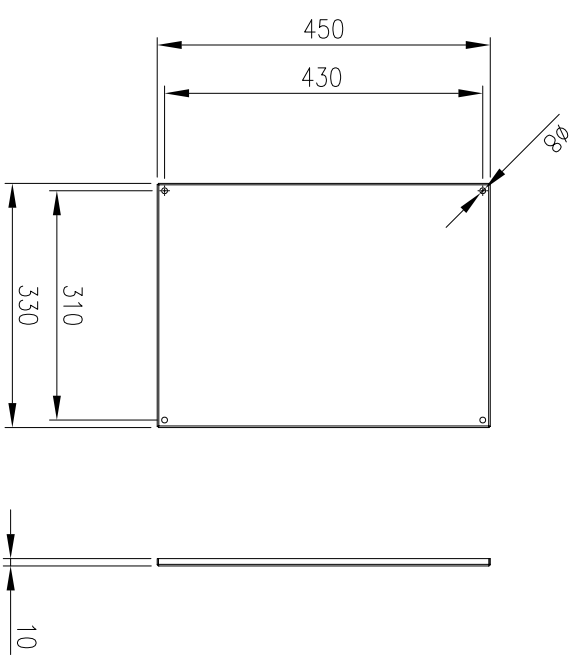
FRONT VIEW



SECTION AV-AV



SECTION AW-AW



DEVICE MOUNTING PLATE

**MATERIAL**  
 BODY: 1.5mm 316 STAINLESS STEEL  
 DOOR: 1.5mm 316 STAINLESS STEEL  
 DEVICE PLATE: 1.5mm GALV STEEL  
 SEAL: POLYURETHANE

MASS: 14.8kg

PROTECTION: IP66 IK10, NEMA4x  
 STANDARD: IEC62208, IEC/EN/AS60529

© IP ENCLOSURES 2016.  
 THIS DRAWING SHALL NOT BE COPIED OR REPRODUCED  
 WITHOUT AUTHORISATION FROM IP ENCLOSURES.  
 www.ipenclosures.com.au

Item	Quantity	TradeName, designation, material, dimension etc.	Article No./Reference
IP Enclosures			
Designed by	Checked by	Approved by - date	Filename
IP	IP	17/10/16	IP-60600-01
500x400x250 316SS SLOPING ROOF ENCLOSURE			Date
			17/10/16
IP-SSSR04025-01			Scale
			1:10
			Edition
			2
			Sheet
			1/1