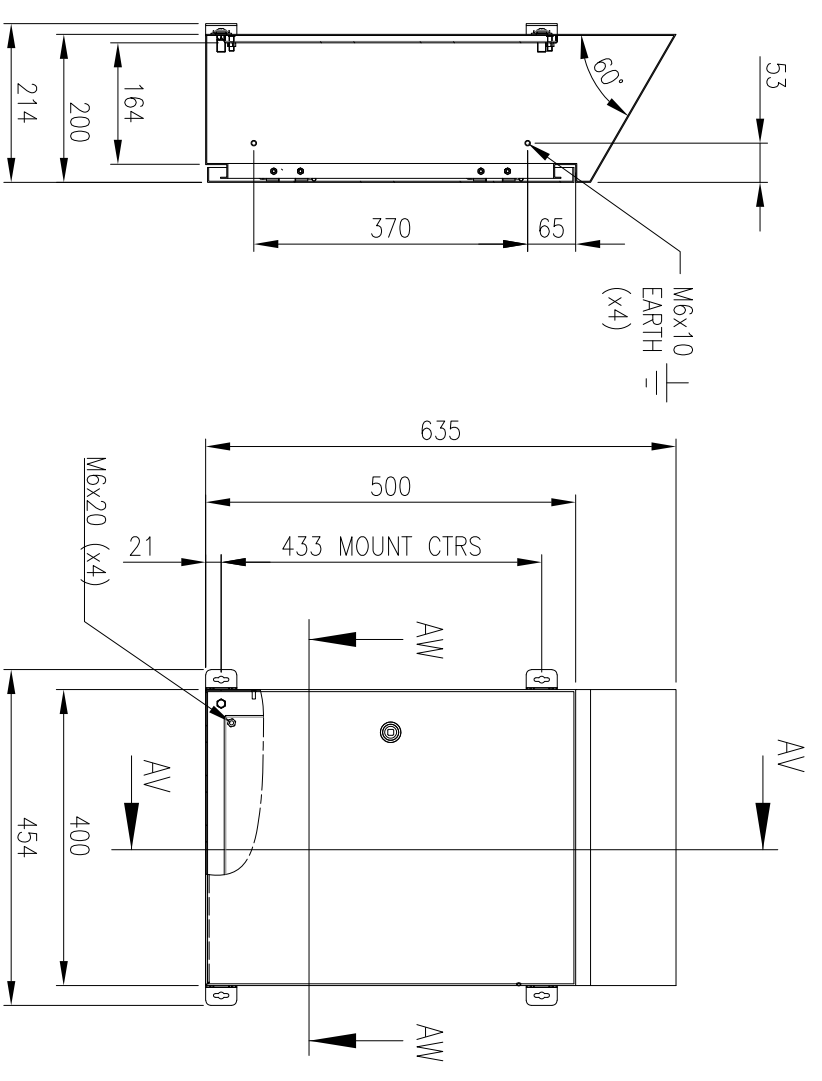
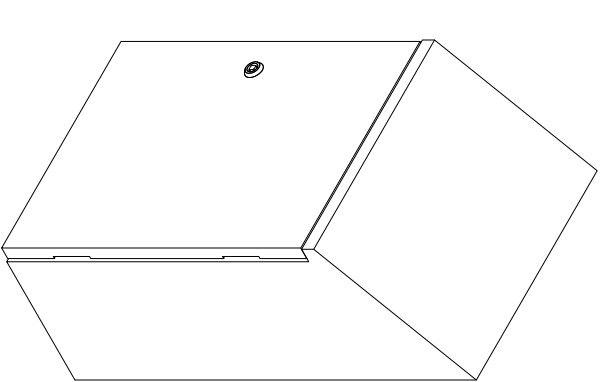
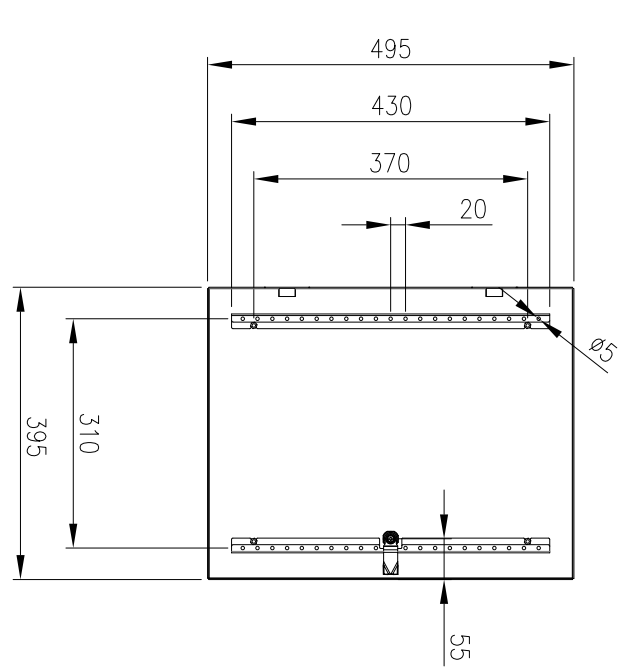


| RevNo | Revision note    | Date   | Signature | Checked |
|-------|------------------|--------|-----------|---------|
| 2     | GENERAL REVISION | 9/8/17 | IP        | IP      |

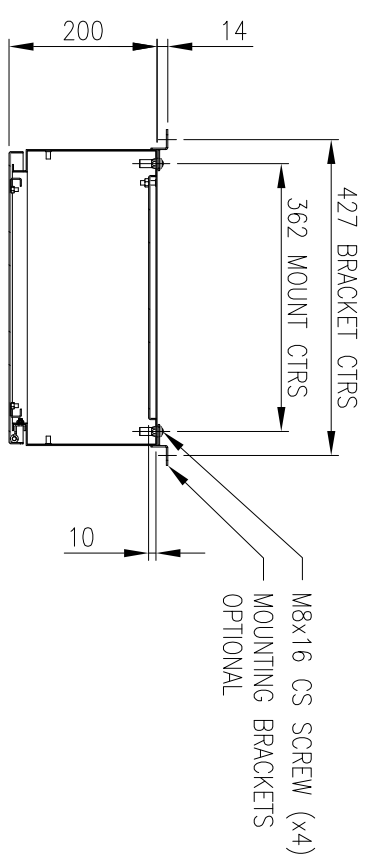


SECTION AV-AV

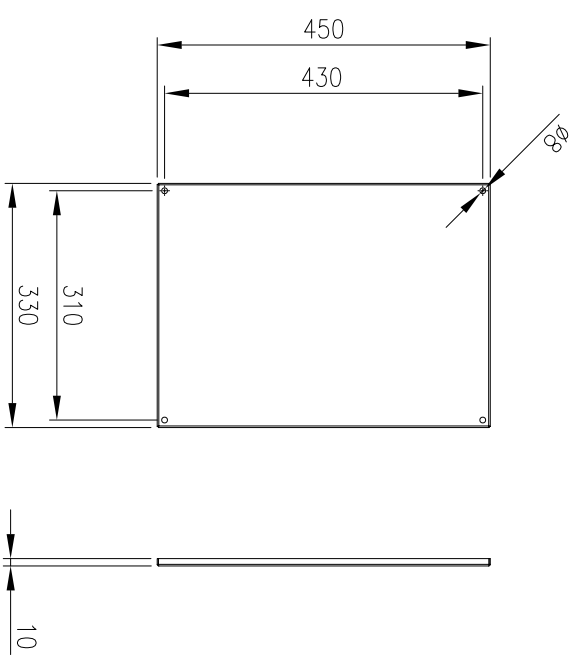
FRONT VIEW



INSIDE DOOR VIEW



SECTION AW-AW



DEVICE MOUNTING PLATE

**MATERIAL**  
 BODY: 1.5mm 316 STAINLESS STEEL  
 DOOR: 1.5mm 316 STAINLESS STEEL  
 DEVICE PLATE: 1.5mm GALV STEEL  
 SEAL: POLYURETHANE  
 PROTECTION: IP66 IK10, NEMA4x  
 STANDARD: IEC62208, IEC/EN/AS60529

© IP ENCLOSURES 2016.  
 THIS DRAWING SHALL NOT BE COPIED OR REPRODUCED  
 WITHOUT AUTHORISATION FROM IP ENCLOSURES.  
 www.ipenclosures.com.au

| Item#                                    | Quantity   | TradeName, designation, material, dimension etc. | Article No./Reference | Scale    |
|--|------------|--|-----------------------|----------|
| IP                                       |            |  |                       | 1:10     |
| Designed by                              | Checked by | Approved by - date                               | Filename              | Date     |
| IP                                       | IP         | 17/10/16   | IP-50400-01           | 17/10/16 |
| 500x400x200 316SS SLOPING ROOF ENCLOSURE |            |  |                       | Sheet    |
| IP-SSSR50400-01                          |            |  |                       | 2 / 17   |

