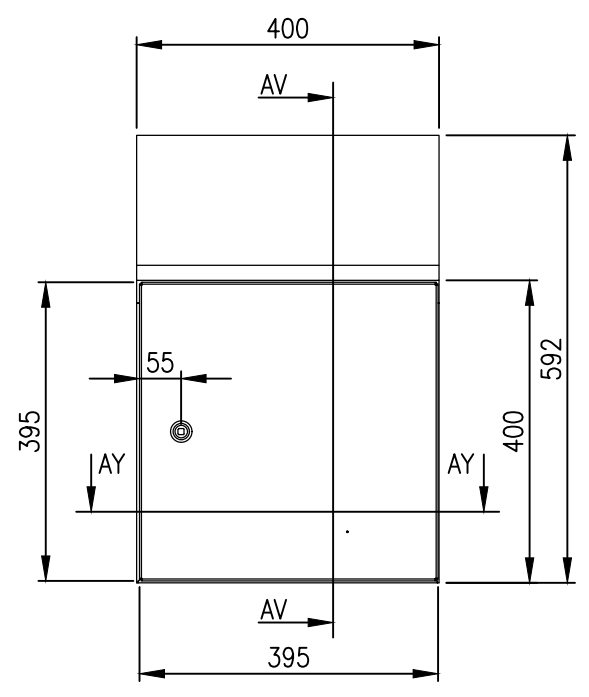
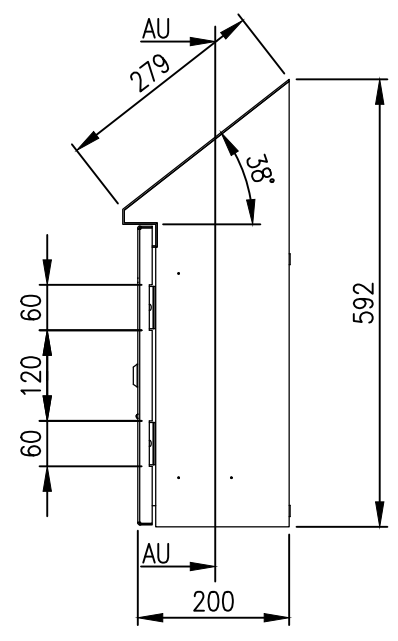


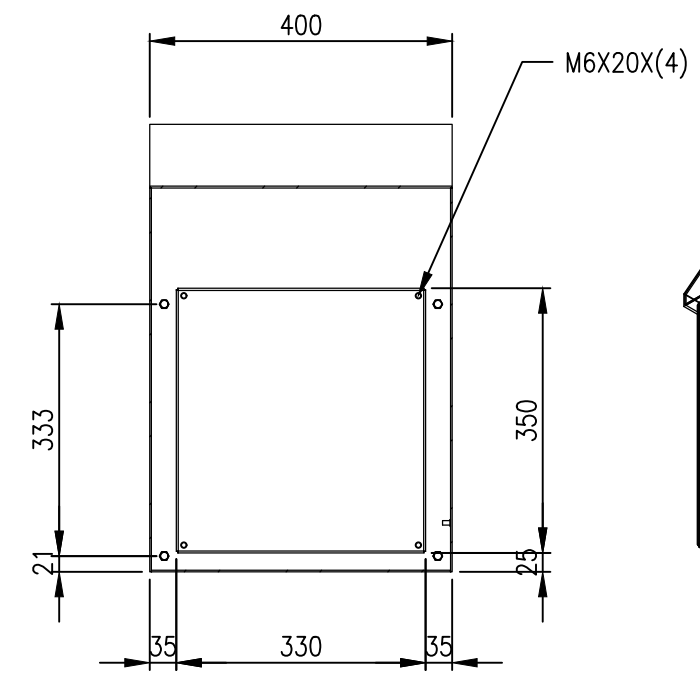
SECTION AV-AV



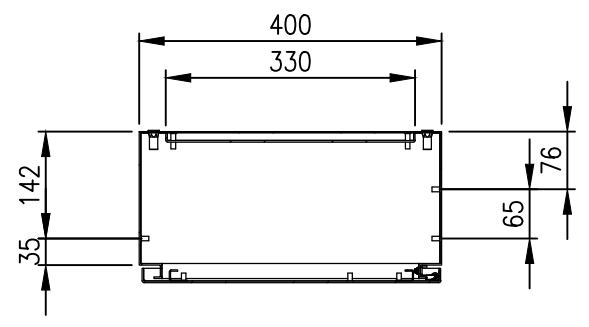
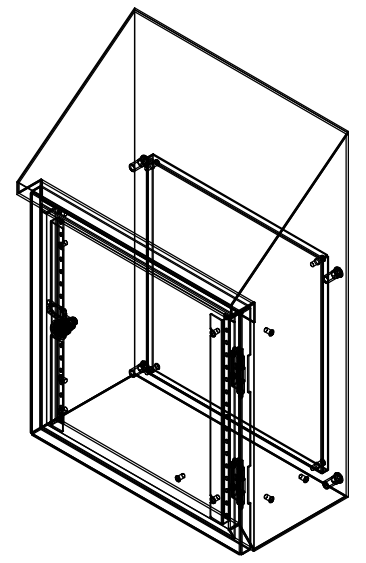
FRONT VIEW



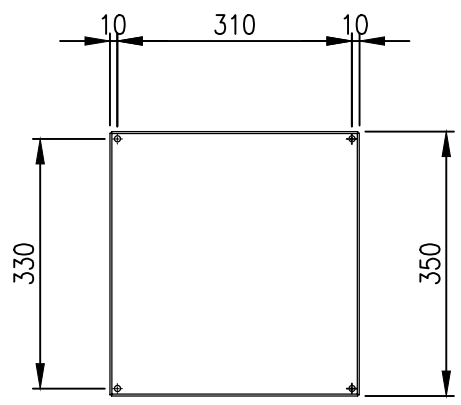
RIGHT SIDE VIEW



SECTION AU-AU



SECTION AY-AY



MOUNTING PLATE  
(PAINTED TO RAL9010)

**MATERIAL**  
 BODY: 2.0mm 316 STAINLESS STEEL  
 DOOR: 2.0mm 316 STAINLESS STEEL  
 MOUNTING PLATE: GALVANISED STEEL SHEET  
 SEAL: POLYURETHANE

PROTECTION: IP66 IK10, NEMA 4x  
 STANDARD: IEC62208, IEC/EN/AS60529

© IP ENCLOSURES 2022.  
 THIS DRAWING SHALL NOT BE COPIED OR REPRODUCED WITHOUT  
 AUTHORISATION FROM IP ENCLOSURES.  
 www.ipenclosures.com.au

Itemref	Quantity	Title/Name, designation, material, dimension etc	Article No./Reference
IP	1	400x400x200 HD 316SS SLOPING ROOF ENCLOSURE	IP-SSSR404020-HD
IP	1	MOUNTING PLATE (PAINTED TO RAL9010)	IP-SSSR404020-HD
IP	4	M6X20X(4)	IP-SSSR404020-HD

