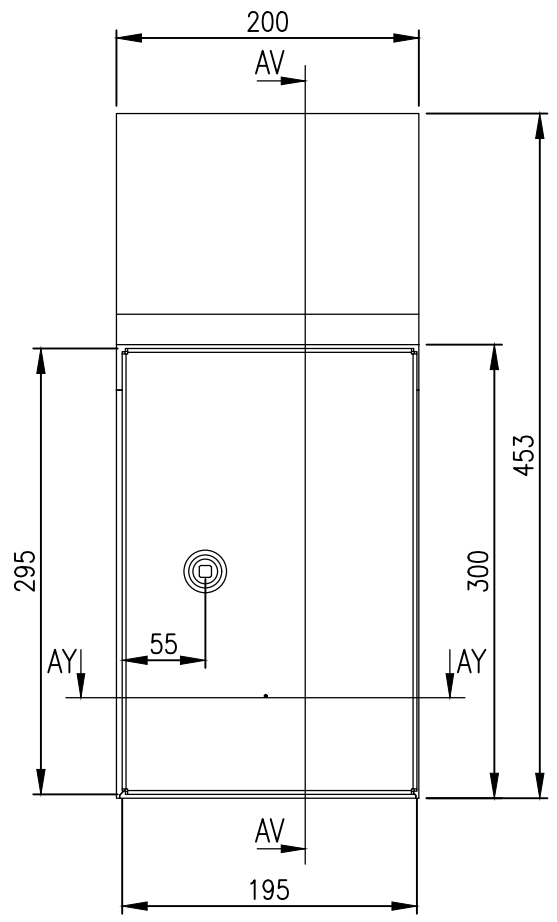
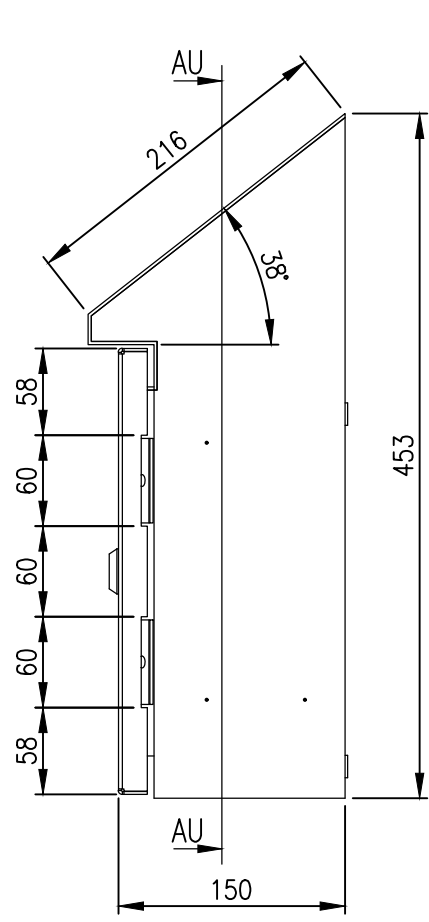


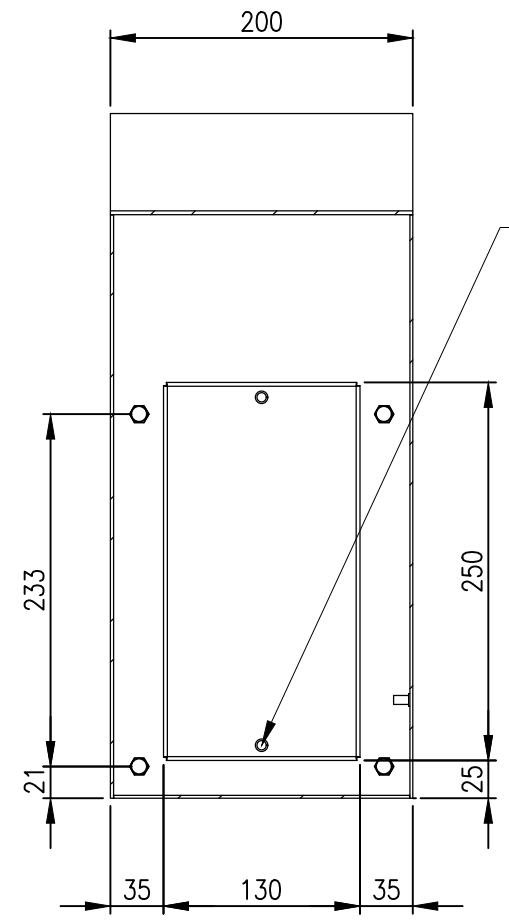
SECTION AV-AV



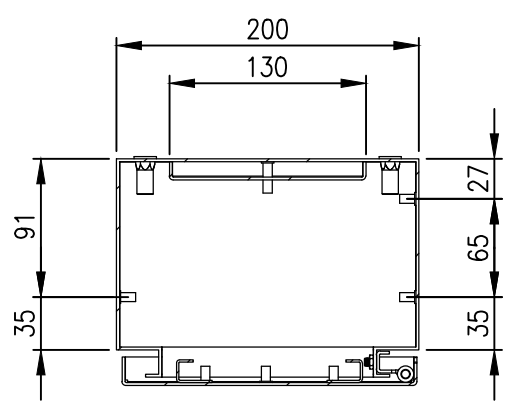
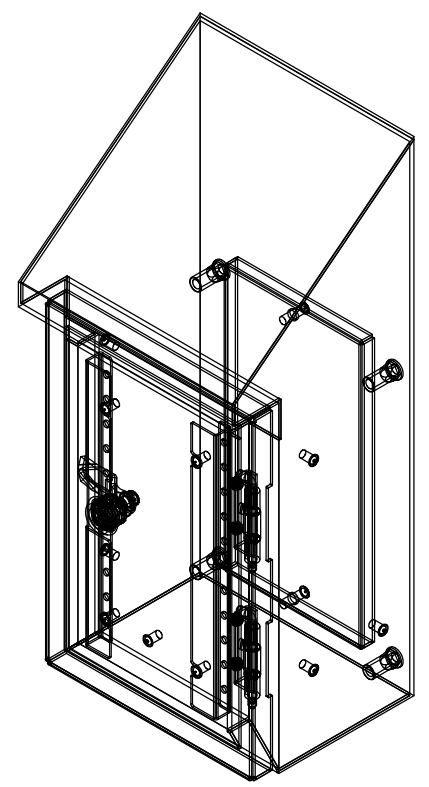
FRONT VIEW



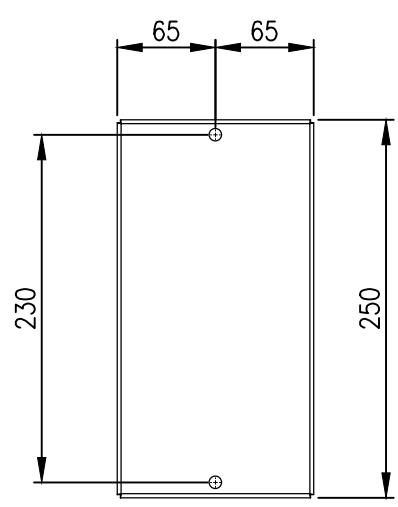
RIGHT SIDE VIEW



SECTION AU-AU



SECTION AY-AY



MOUNTING PLATE
(PAINTED TO RAL9010)

MATERIAL
 BODY: 2.0mm GRADE 316 STAINLESS STEEL
 DOOR: 2.0mm GRADE 316 STAINLESS STEEL
 MOUNTING PLATE: GALVANISED STEEL SHEET
 SEAL: POLYURETHANE

PROTECTION: IP66 IK10, NEMA 4x
 STANDARD: IEC62208, IEC/EN/AS60529

© IP ENCLOSURES 2022.
 THIS DRAWING SHALL NOT BE COPIED OR REPRODUCED WITHOUT
 AUTHORISATION FROM IP ENCLOSURES.
 www.ipenclosures.com.au

Itemref	Quantity	Title/Name, designation, material, dimension etc	Article No./Reference
IP	1	300x200x150 HD 316SS SLOPING ROOF ENCLOSURE	IP-SSSR302015-HD
IP	1	MOUNTING PLATE	IP-SSSR302015-HD

Designed by	Checked by	Approved by - date	Filename	Date	Scale
IP	IP	01/08/22	IP-SSSR302015-HD	01/08/22	1:5

IP Enclosures	300x200x150 HD 316SS SLOPING ROOF ENCLOSURE	Edition	Sheet
	IP-SSSR302015-HD	1/1	1/1