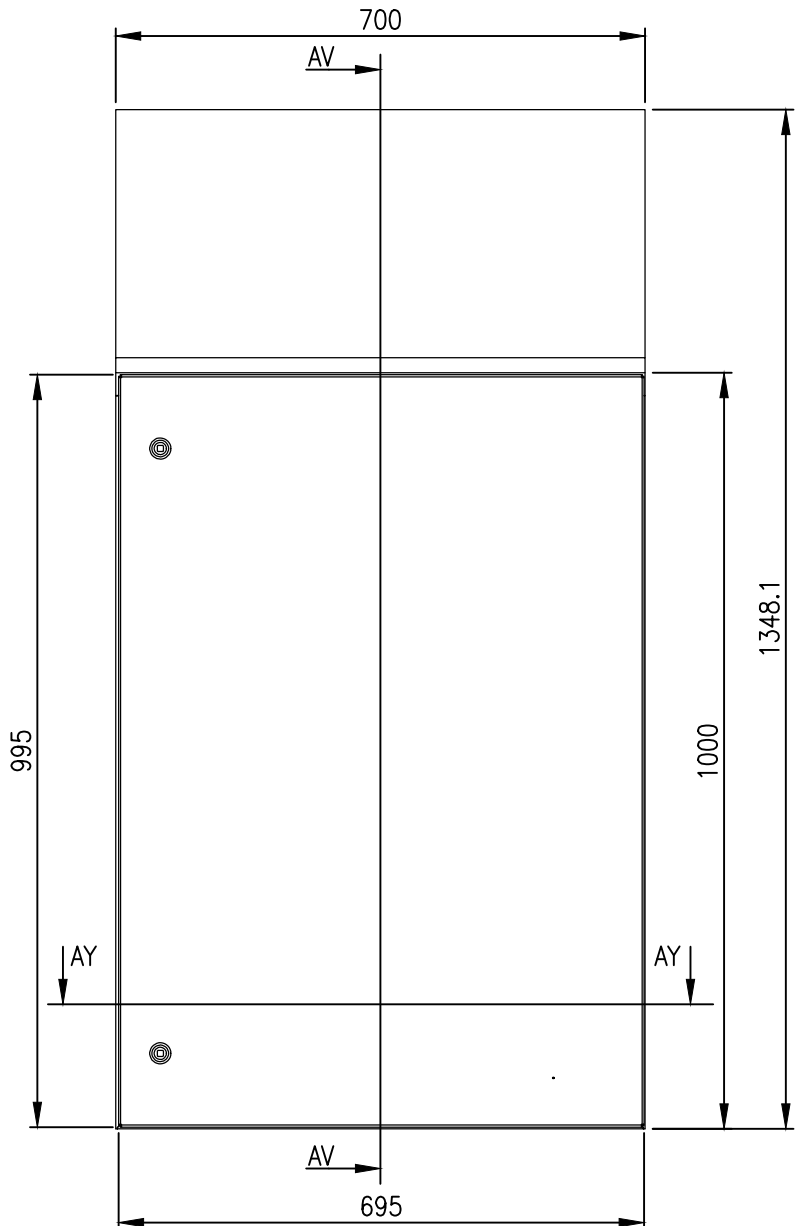
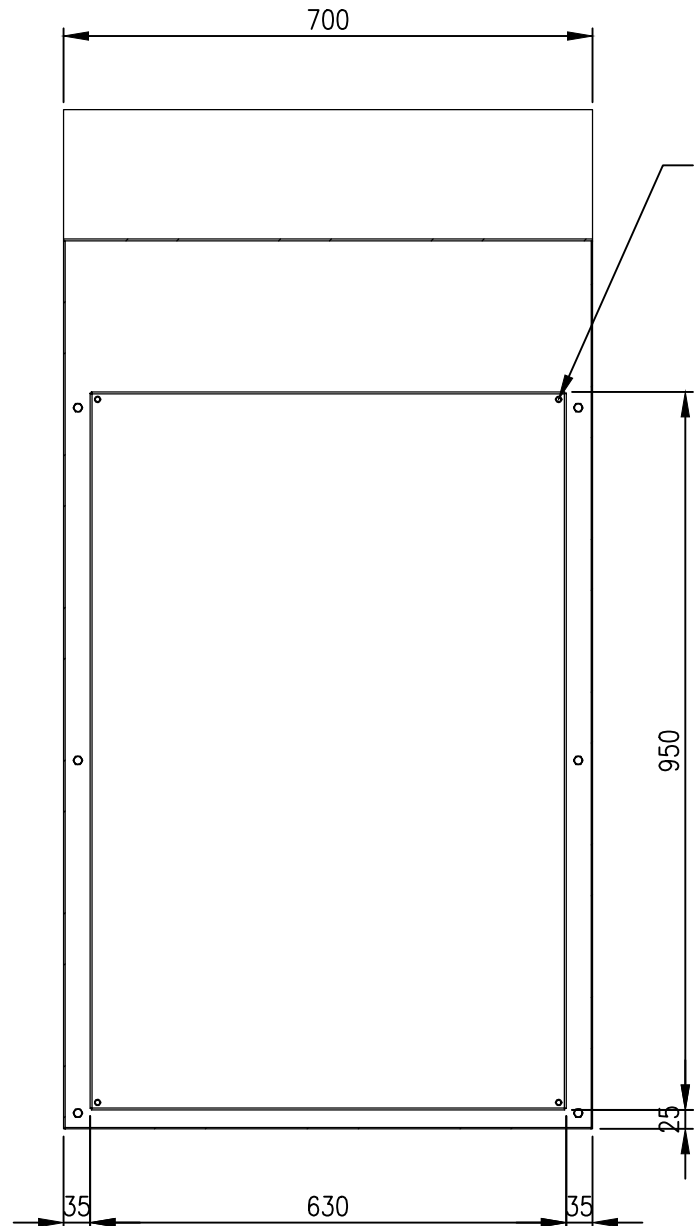


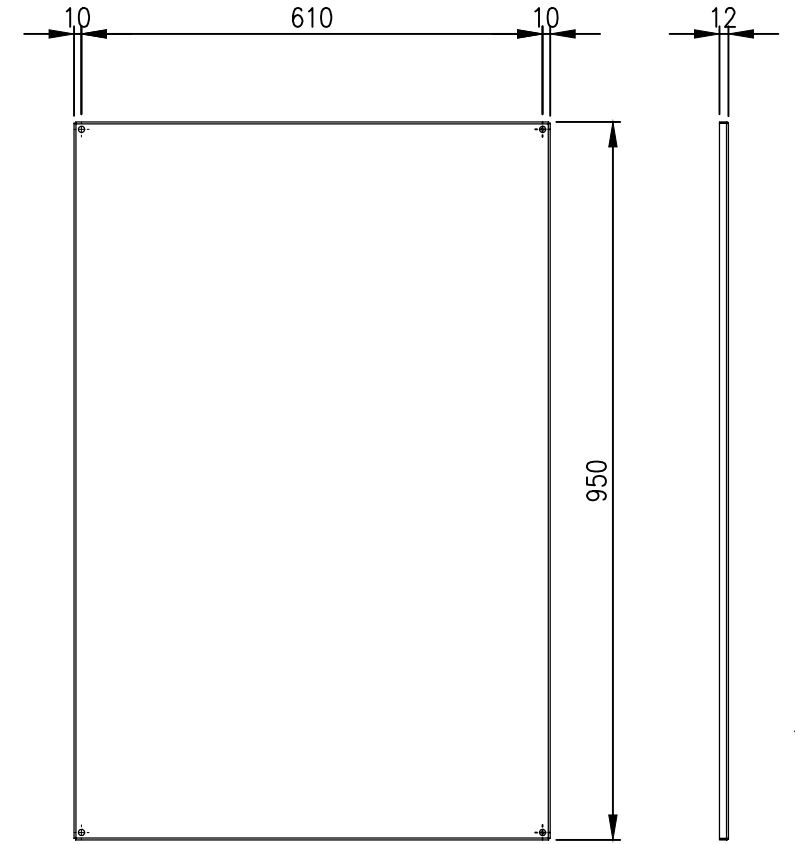
SECTION AV-AV



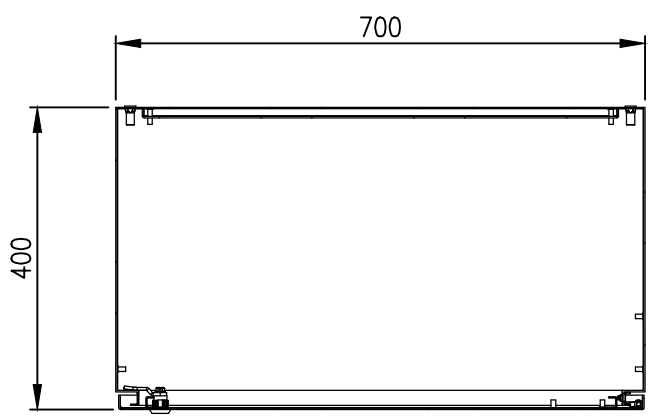
FRONT VIEW



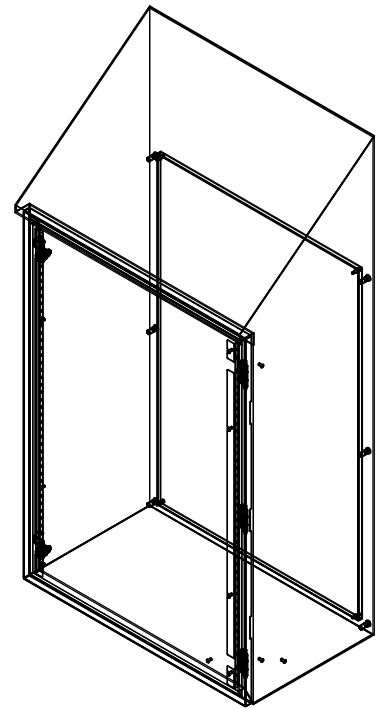
SECTION AU-AU



MOUNTING PLATE
(PAINTED TO RAL9010)



SECTION AY-AY



MATERIAL
 BODY: 2.0mm 316 STAINLESS STEEL
 DOOR: 2.0mm 316 STAINLESS STEEL
 MOUNTING PLATE: GALVANISED STEEL SHEET
 SEAL: POLYURETHANE

PROTECTION: IP66 IK10, NEMA 4x
 STANDARD: IEC62208, IEC/EN/AS60529

© IP ENCLOSURES 2023.
 THIS DRAWING SHALL NOT BE COPIED OR REPRODUCED WITHOUT
 AUTHORISATION FROM IP ENCLOSURES.
 www.ipenclosures.com.au

Itemref	Quantity	Title/Name, designation, material, dimension etc	Article No./Reference
IP	1	1000x700x400 HD 316SS SLOPING ROOF ENCLOSURE	IP-SSSR1007040-HD
Designed by	Checked by	Approved by - date	Filename
IP	IP	18/01/23	IP-SSSR1007040-HD
Date	Scale	Edition	
18/01/23	1:10	0	
Sheet		Sheet	
1/1		1/1	