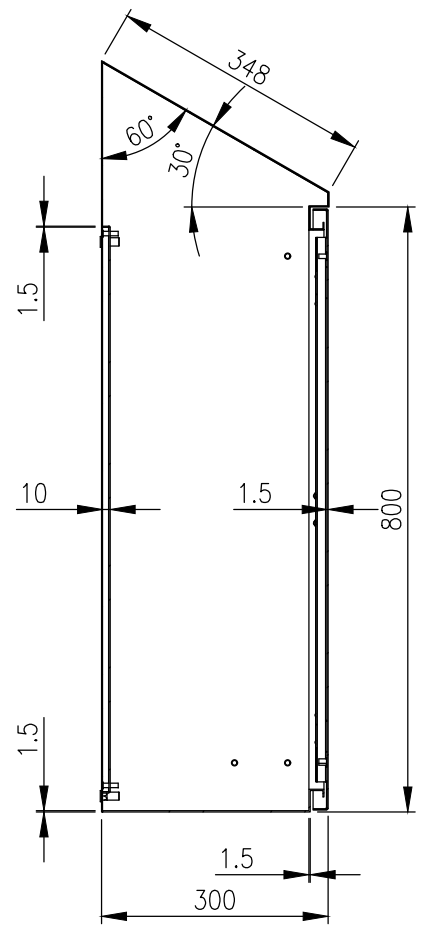
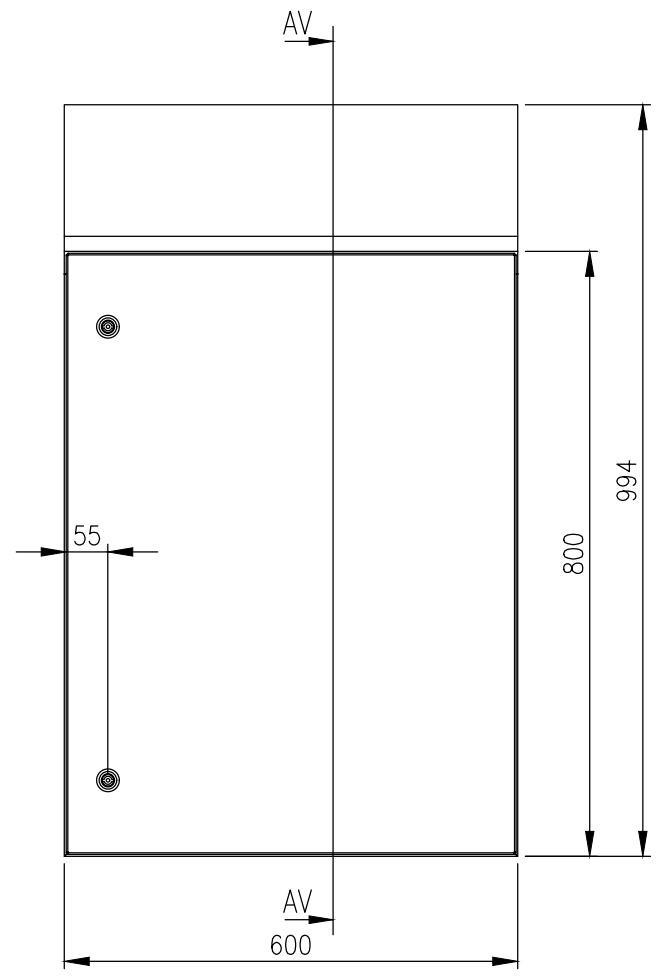


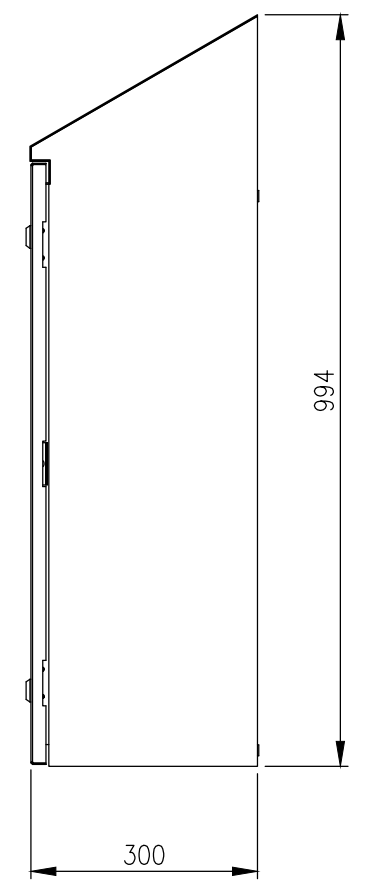
RevNo	Revision note	Date	Signature	Checked
1	GENERAL REVISION	04/04/25	IP	IP



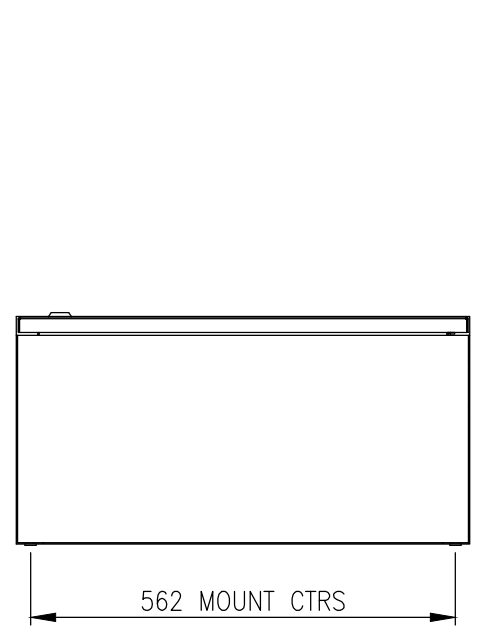
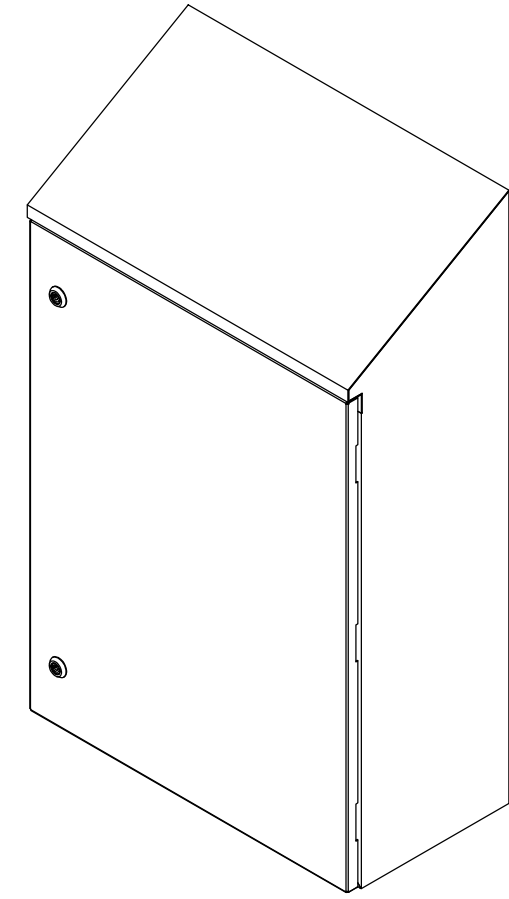
SECTION AV-AV



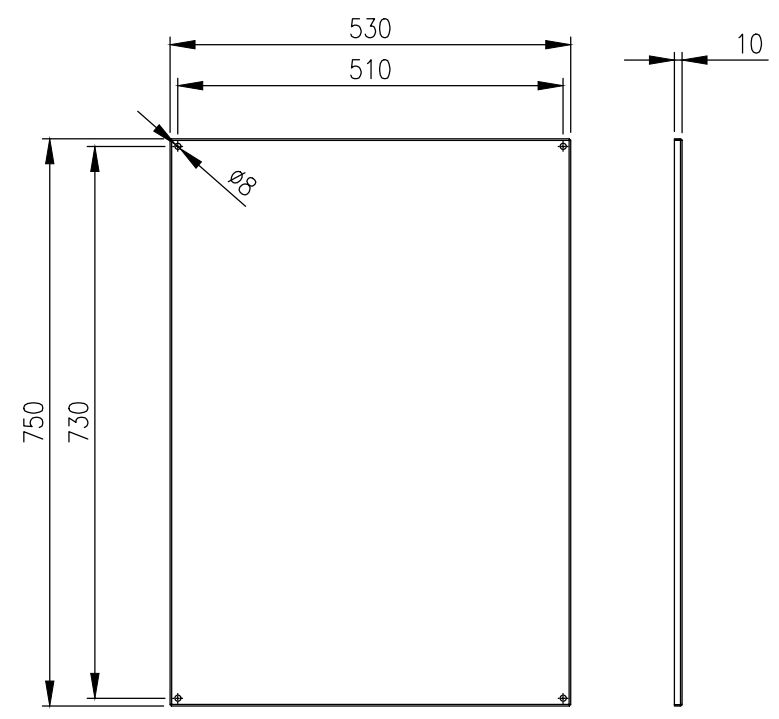
FRONT VIEW



RIGHT SIDE VIEW



BOTTOM VIEW



DEVICE MOUNTING PLATE

**MATERIAL**  
 BODY: 1.5mm GALVANISED STEEL SHEET  
 DOOR: 1.5mm GALVANISED STEEL SHEET  
 DEVICE PLATE: 1.5mm GALVANISED STEEL SHEET  
 SEAL: POLYURETHANE  
 SURFACE TREATMENT: POWDER-COAT 80-120micron  
 COLOUR: RAL7035 LIGHT GREY

**MASS:** 31.7Kg.

**PROTECTION:** IP66 IK10 (NEMA 4)  
**STANDARD:** IEC/EN62208, IEC/EN/AS60529

© IP ENCLOSURES 2023.  
 THIS DRAWING SHALL NOT BE COPIED OR REPRODUCED  
 WITHOUT AUTHORISATION FROM IP ENCLOSURES.  
 www.ipenclosures.com.au

**IMPORTANT NOTE:**  
 WALL MOUNTING BRACKETS ARE NOT INCLUDED  
 AND MUST BE ORDERED SEPARATELY.

Itemref	Quantity	Title/Name, designation, material, dimension etc	Article No./Reference
IP	1	800x600x300 STEEL SLOPING ROOF ENCLOSURE	IP-SSR806030
Designed by	Checked by	Approved by - date	Filename
IP	IP	25/01/23	IP-SSR806030
Date	Scale	Edition	
25/01/23	1:10	1	
Sheet			1/1

