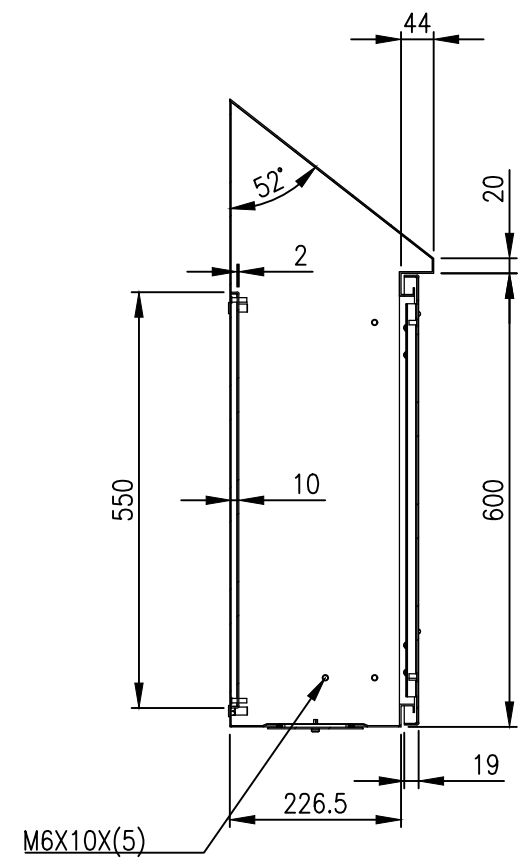
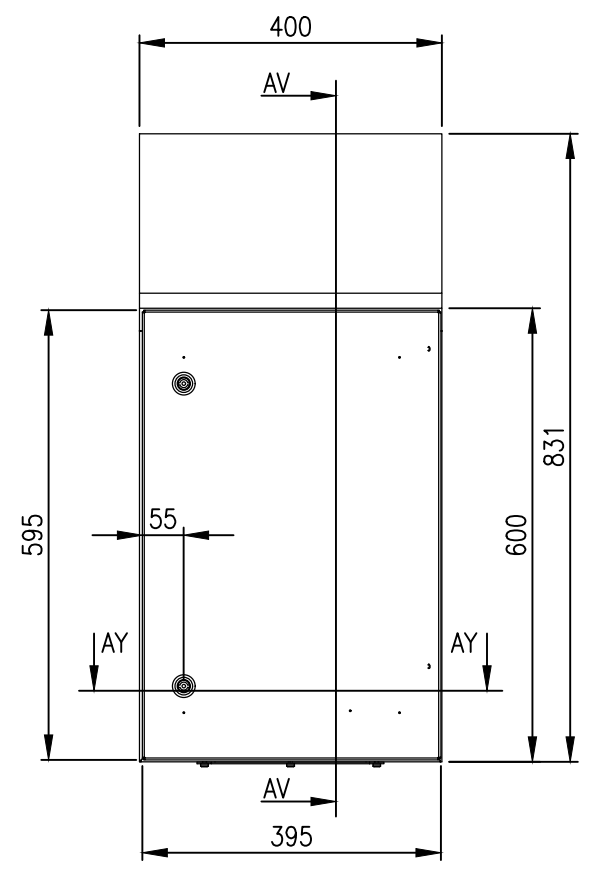


A  
B  
C  
D  
E  
F  
G  
H

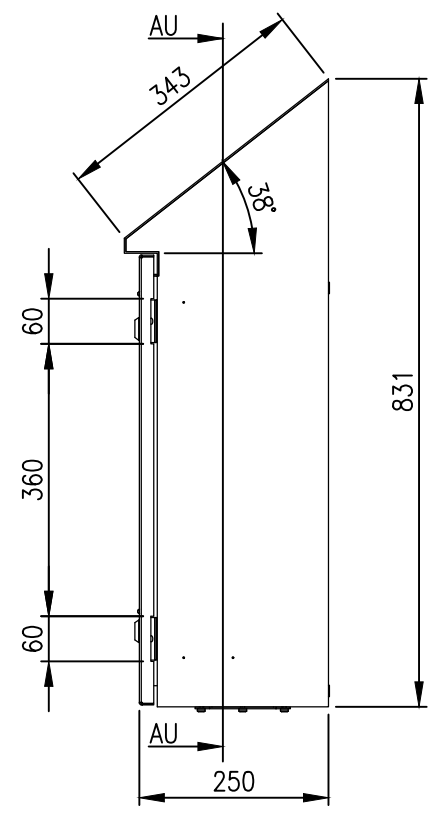
A  
B  
C  
D  
E  
F  
G  
H



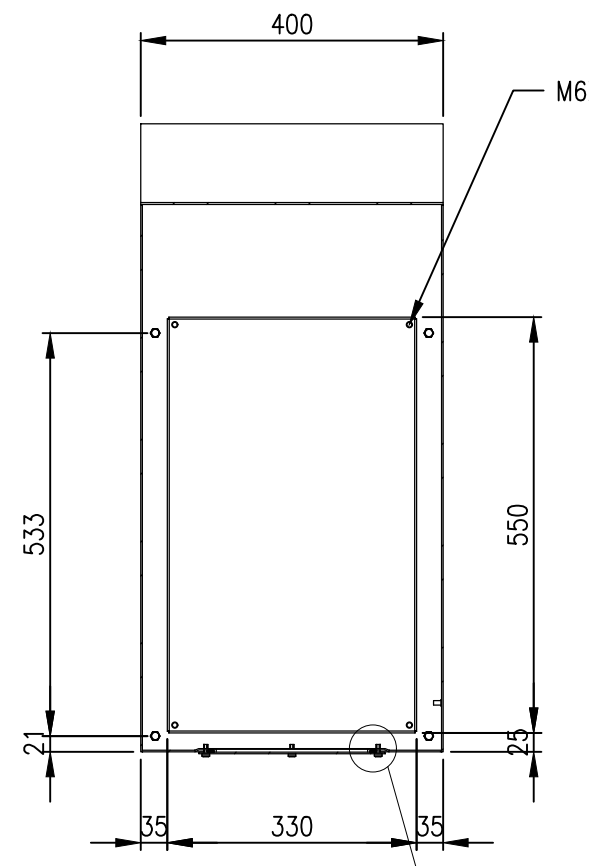
SECTION AV-AV



FRONT VIEW

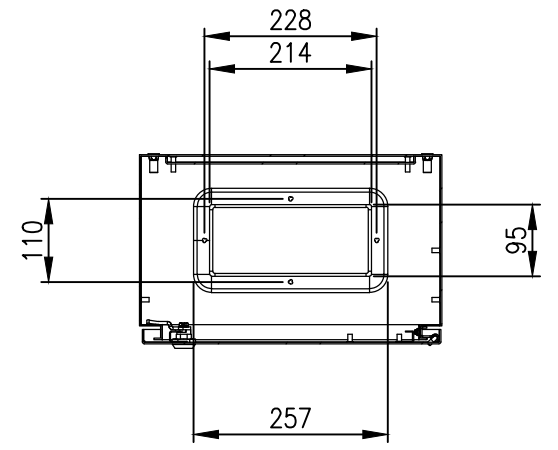
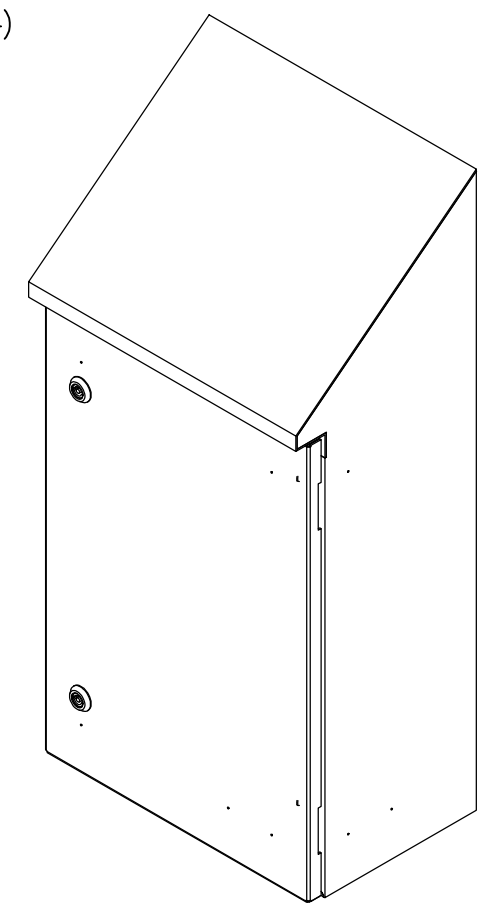


RIGHT SIDE VIEW

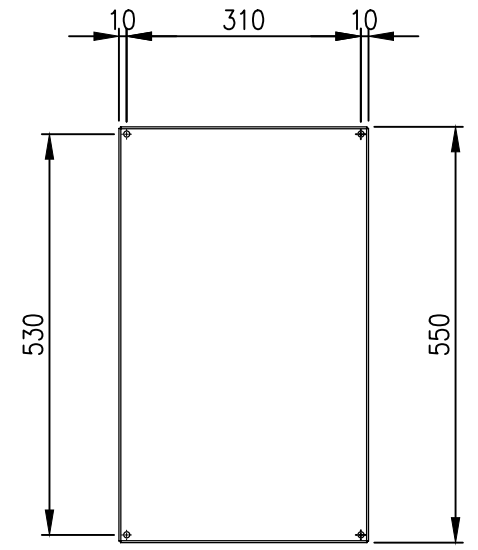


SECTION AU-AU

GASKET



SECTION AY-AY



MOUNTING PLATE  
(PAINTED TO RAL9010)

**MATERIAL**  
 BODY: 2.0mm GALVANISED STEEL SHEET  
 DOOR: 2.0mm GALVANISED STEEL SHEET  
 MOUNTING PLATE: GALVANISED STEEL SHEET  
 GLAND PLATE: 2.0mm GALVANISED STEEL SHEET  
 SEAL: POLYURETHANE

PROTECTION: IP66 IK10, NEMA 4  
 STANDARD: IEC62208, IEC/EN/AS60529

© IP ENCLOSURES 2022.  
 THIS DRAWING SHALL NOT BE COPIED OR REPRODUCED WITHOUT  
 AUTHORISATION FROM IP ENCLOSURES.  
 www.ipenclosures.com.au

|               |            |                                                  |                                  |
|---------------|------------|--------------------------------------------------|----------------------------------|
| Itemref       | Quantity   | Title/Name, designation, material, dimension etc | Article No./Reference            |
|               |            |                                                  |                                  |
| Designed by   | Checked by | Approved by - date                               | Filename Date Scale              |
| IP            | IP         | 29/07/22                                         | IP-SSR604025-HD-OR 29/07/22 1:10 |
| IP Enclosures |            | 600x400x250 HD STEEL SLOPING ROOF ENCLOSURE      |                                  |
|               |            | IP-SSR604025-HD-OR                               | Edition 0 Sheet 1/1              |