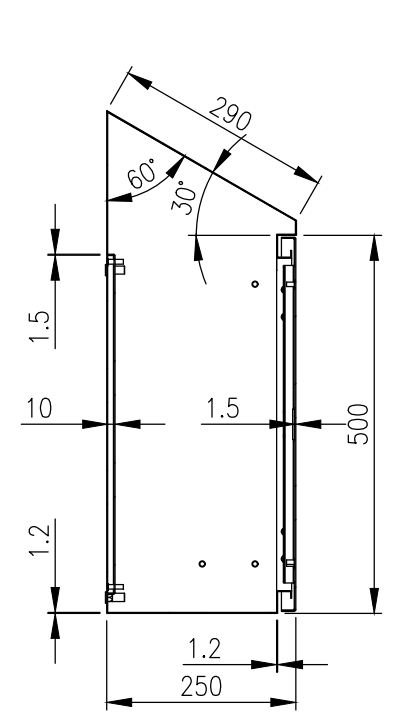
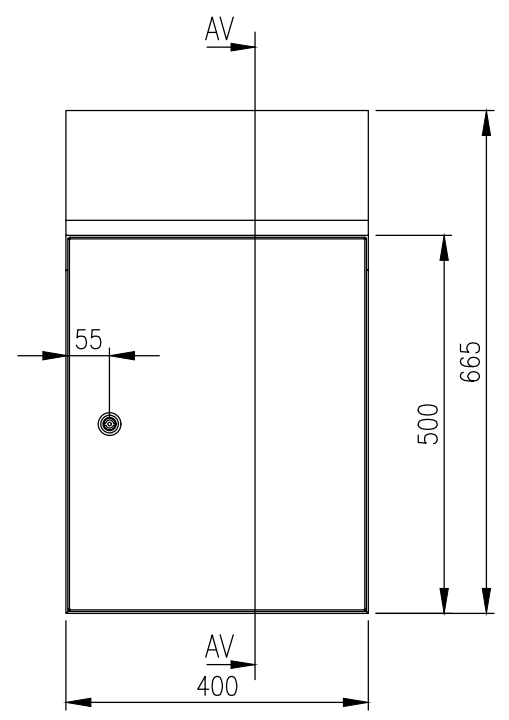


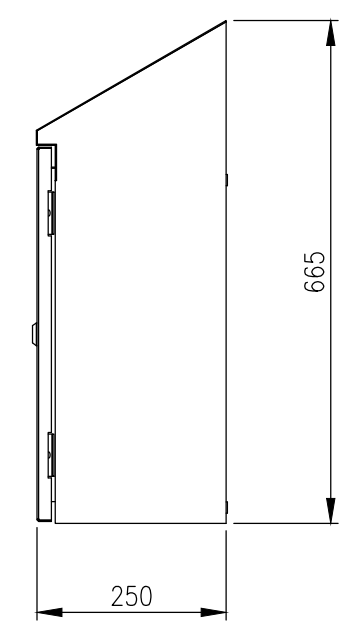
RevNo	Revision note	Date	Signature	Checked
1	GENERAL REVISION	04/04/25	IP	IP



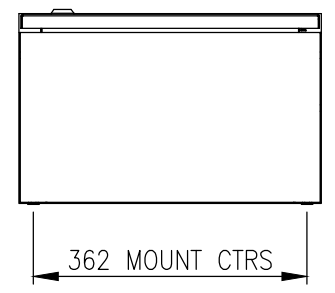
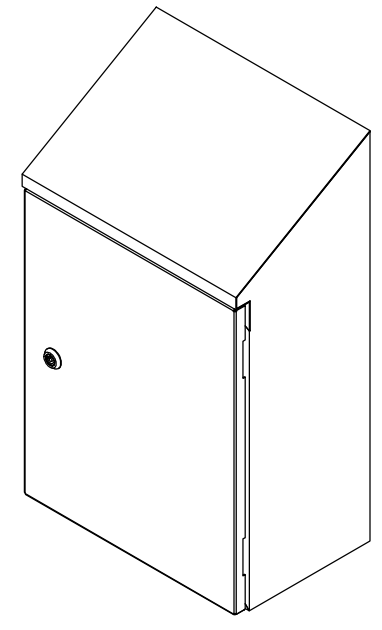
SECTION AV-AV



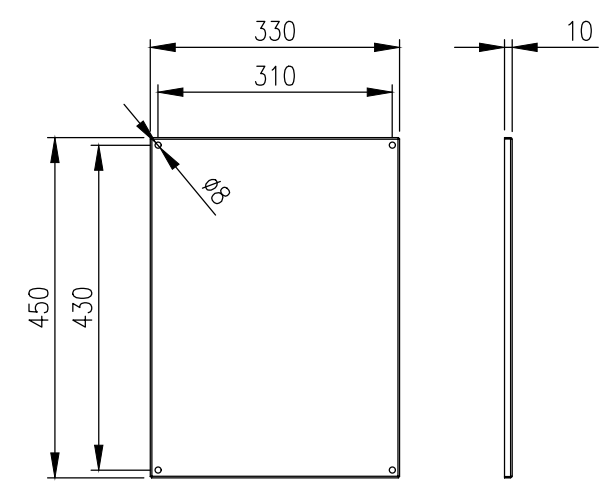
FRONT VIEW



RIGHT SIDE VIEW



BOTTOM VIEW



DEVICE MOUNTING PLATE

**MATERIAL**  
 BODY: 1.2mm GALVANISED STEEL SHEET  
 DOOR: 1.5mm GALVANISED STEEL SHEET  
 DEVICE PLATE: 1.5mm GALVANISED STEEL SHEET  
 SEAL: POLYURETHANE  
 SURFACE TREATMENT: POWDER-COAT 80-120micron  
 COLOUR: RAL7035 LIGHT GREY

MASS: 13.3Kg.

PROTECTION: IP66 IK10 (NEMA 4)  
 STANDARD: IEC/EN62208, IEC/EN/AS60529

© IP ENCLOSURES 2023.  
 THIS DRAWING SHALL NOT BE COPIED OR REPRODUCED  
 WITHOUT AUTHORISATION FROM IP ENCLOSURES.  
 www.ipenclosures.com.au

**IMPORTANT NOTE:**  
 WALL MOUNTING BRACKETS ARE NOT INCLUDED  
 AND MUST BE ORDERED SEPARATELY.

Itemref	Quantity	Title/Name, designation, material, dimension etc	Article No./Reference
IP	1	500x400x250 STEEL SLOPING ROOF ENCLOSURE	IP-SSR504025
IP	1	DEVICE MOUNTING PLATE	IP-SSR504025



500x400x250 STEEL SLOPING ROOF ENCLOSURE  
 IP-SSR504025  
 Edition 1  
 Sheet 1/1