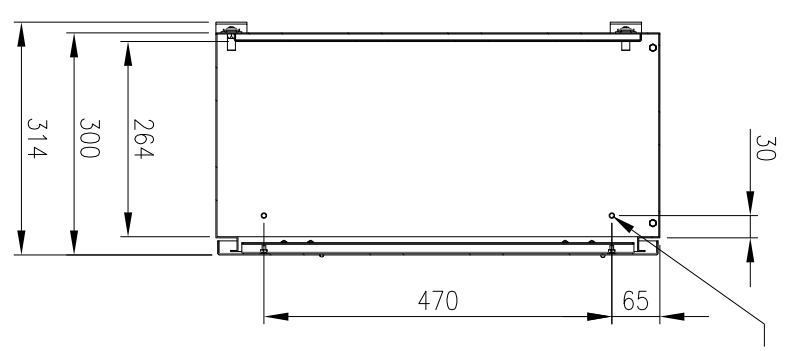
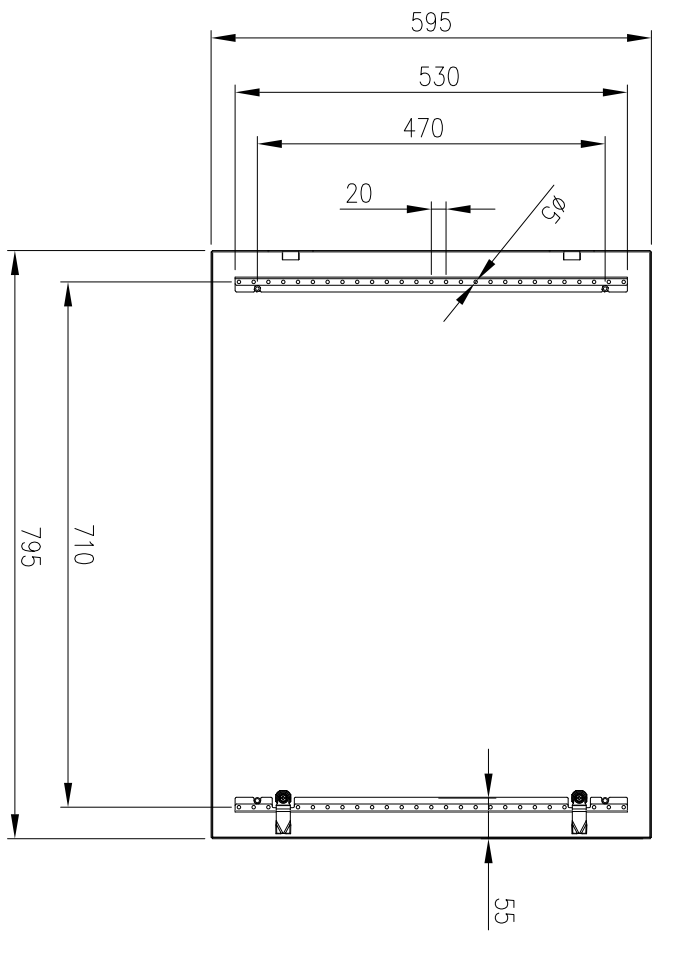


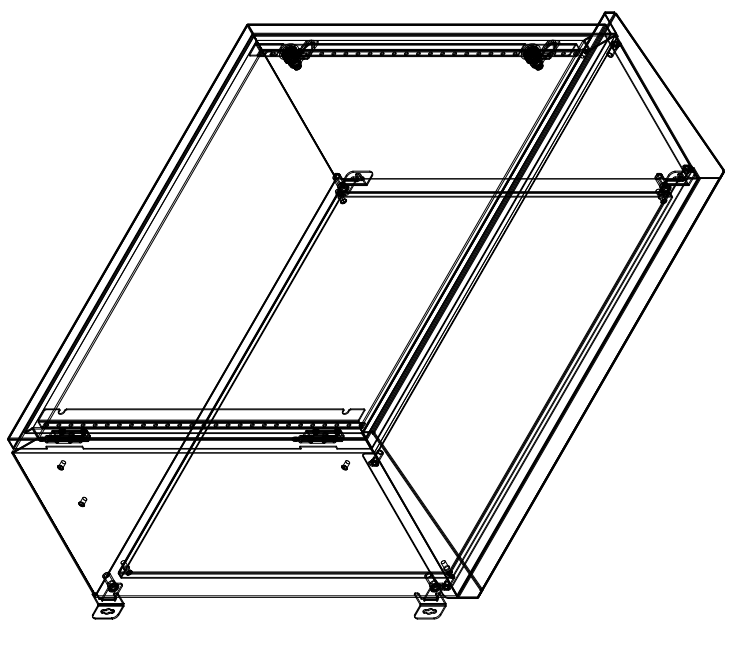
FRONT VIEW



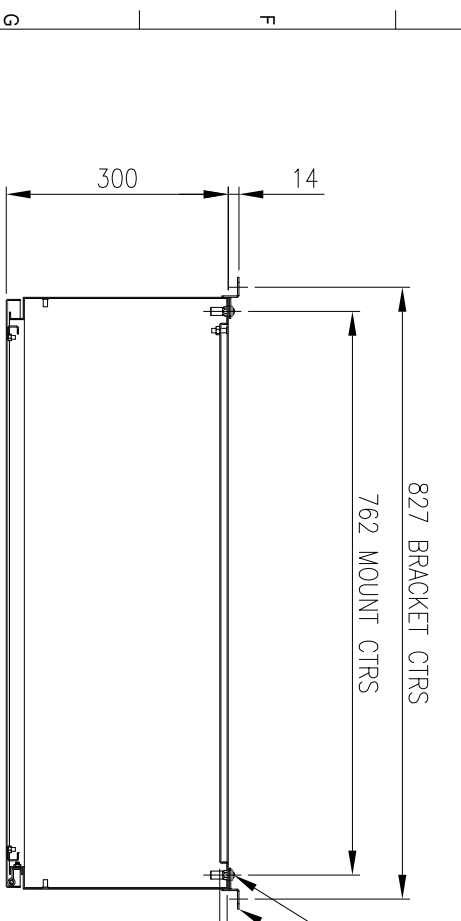
SECTION AY-AY



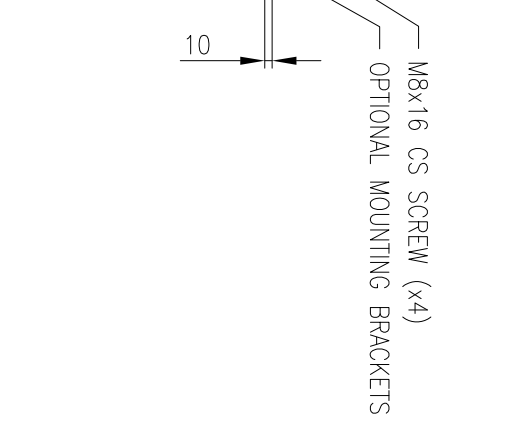
INSIDE DOOR VIEW



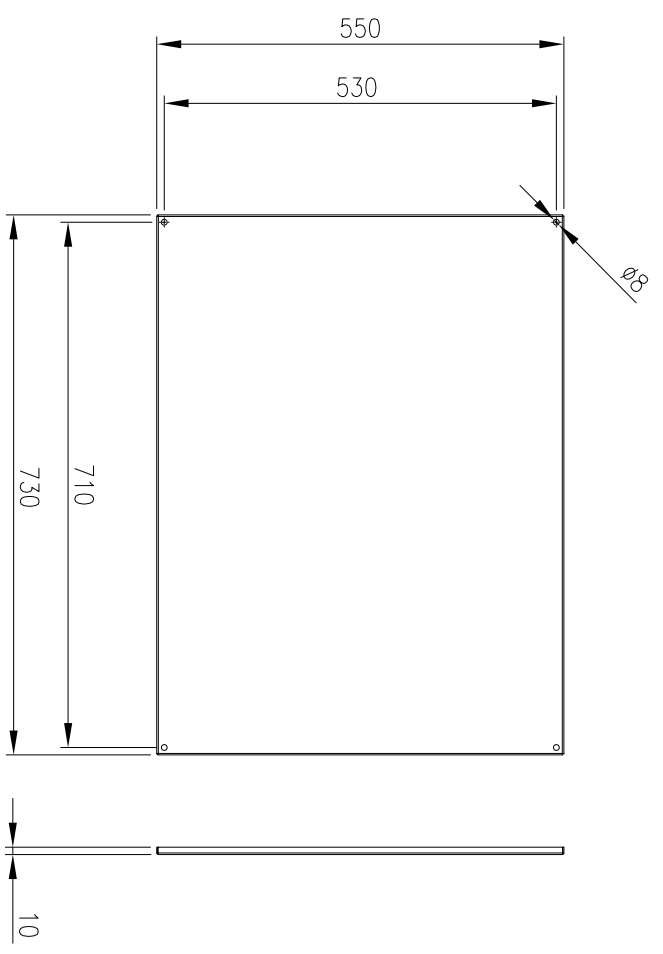
SHOWN WITH RAINHOOD FITTED.
RAINHOODS AVAILABLE AS OPTIONAL ACCESSORY.



SECTION AW-AW



DEVICE MOUNTING PLATE



MATERIAL
 BODY: 1.5mm 316 STAINLESS STEEL
 DOOR: 1.5mm 316 STAINLESS STEEL
 DEVICE PLATE: 1.5mm GALV STEEL
 SEAL: POLYURETHANE

MASS: 30kg

PROTECTION: IP66 IK10, NEMA4x
 STANDARD: IEC62208, IEC/EN/AS60529

© IP ENCLOSURES 2016.
 THIS DRAWING SHALL NOT BE COPIED OR REPRODUCED
 WITHOUT AUTHORISATION FROM IP ENCLOSURES.
 www.ipenclosures.com.au

Item	Quantity	Part/Name, designation, material, dimension etc.	Article No./Reference	Scale
IP Enclosures				1:10
Designed by		Approved by - date	Filename	Date
Checked by		17/10/16	IP-SL608030-01	17/10/16
			600x800x300 316SS ENCLOSURE	
			IP-SL608030-01	0
				1/1