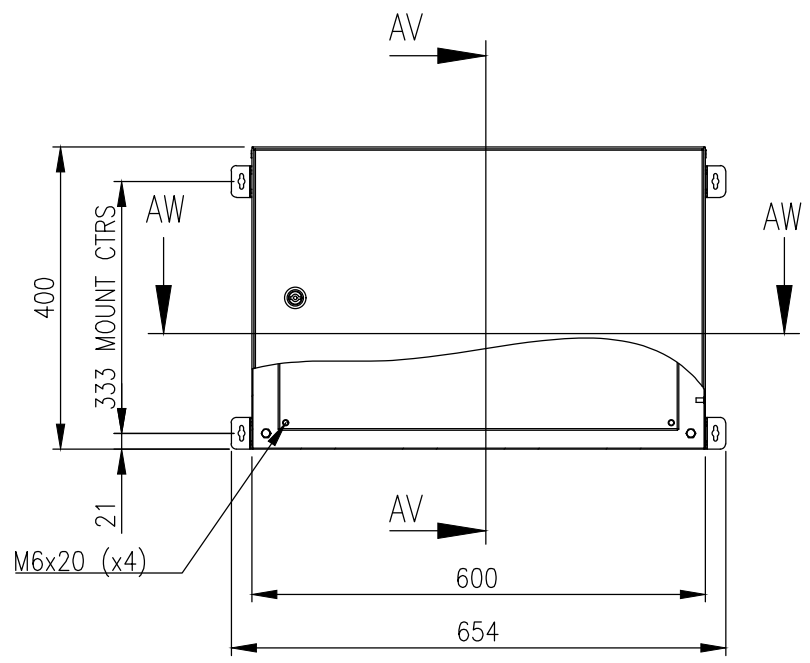
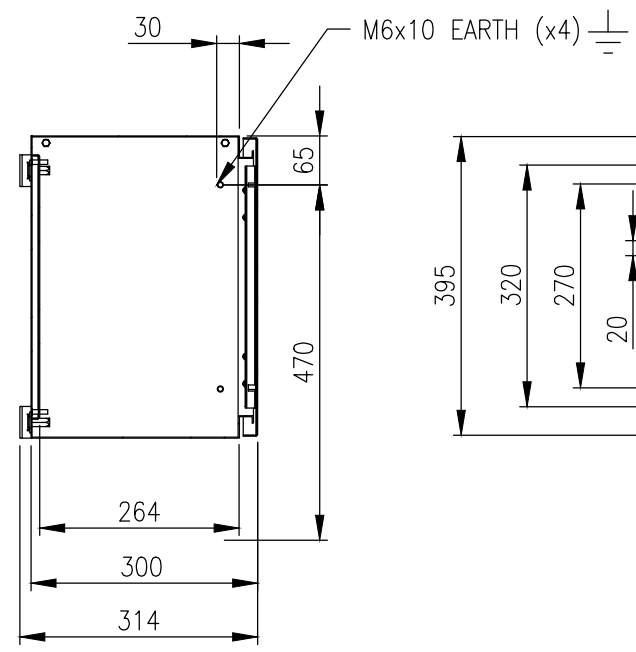


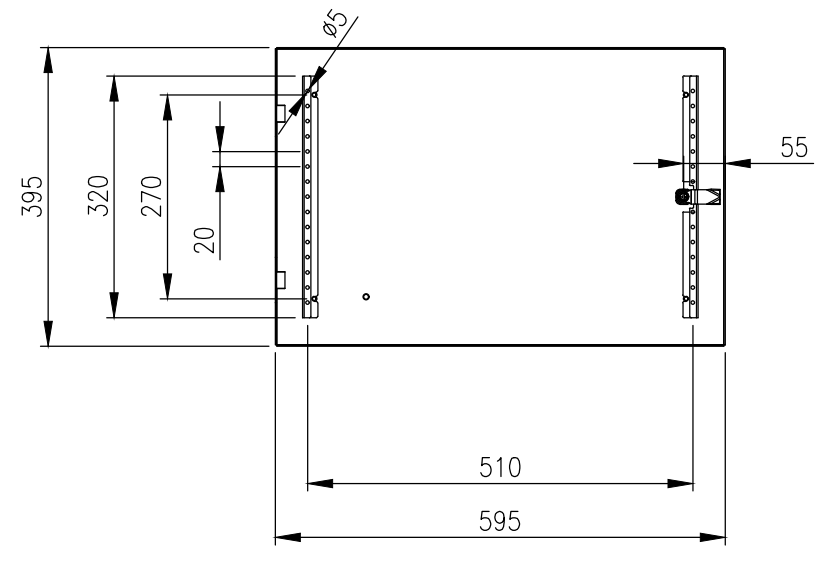
RevNo	Revision note	Date	Signature	Checked
3	GENERAL REVISION	01/04/25	IP	IP



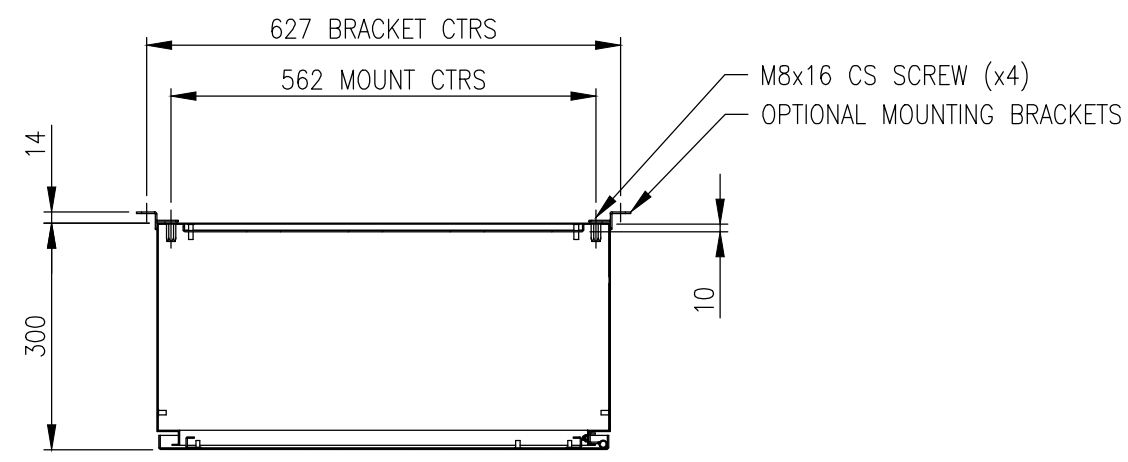
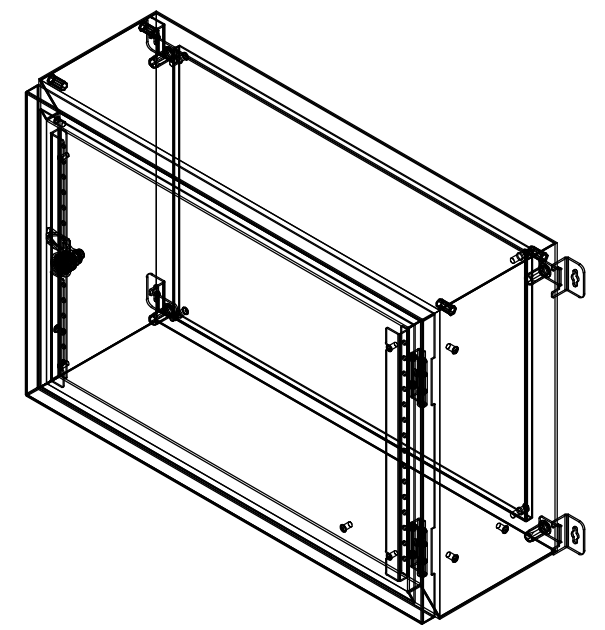
FRONT VIEW



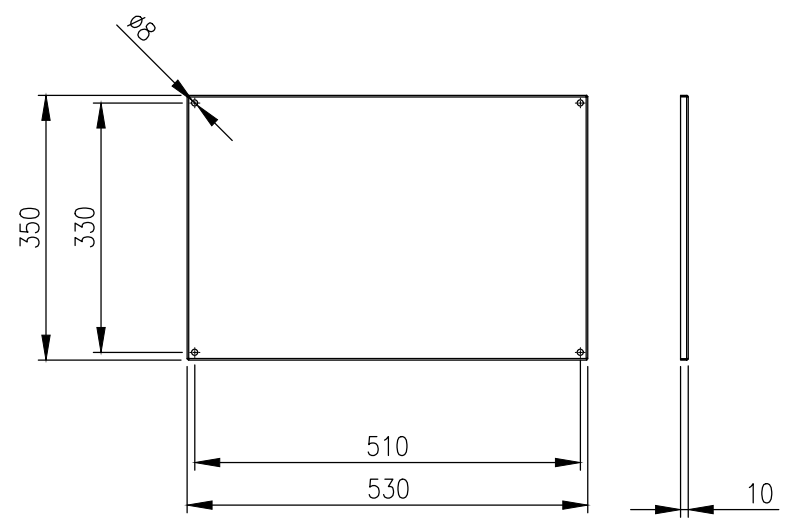
SECTION AV-AV



INSIDE DOOR VIEW



SECTION AW-AW



DEVICE MOUNTING PLATE

**MATERIAL**  
 BODY: 1.5mm GRADE 316L STAINLESS STEEL  
 DOOR: 1.5mm GRADE 316L STAINLESS STEEL  
 DEVICE PLATE: 1.5mm GALVANISED STEEL SHEET  
 SEAL: POLYURETHANE

MASS: 16.8Kg.

PROTECTION: IP66 IK10 (NEMA 4x)  
 STANDARD: IEC/EN62208, IEC/EN/AS60529

© IP ENCLOSURES 2016.  
 THIS DRAWING SHALL NOT BE COPIED OR REPRODUCED  
 WITHOUT AUTHORISATION FROM IP ENCLOSURES.  
 www.ipenclosures.com.au

**IMPORTANT NOTE:**  
 WALL MOUNTING BRACKETS ARE NOT INCLUDED  
 AND MUST BE ORDERED SEPARATELY.

Itemref	Quantity	Title/Name, designation, material, dimension etc	Article No./Reference
IP	1	400Hx600Wx300D 316SS ENCLOSURE	IP-SSL406030
IP	1	DEVICE MOUNTING PLATE	IP-SSL406030
IP	1	OPTIONAL MOUNTING BRACKETS	



400Hx600Wx300D 316SS ENCLOSURE  
 IP-SSL406030  
 Edition 3  
 Sheet 1/1