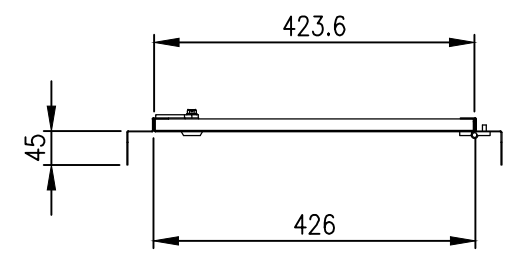
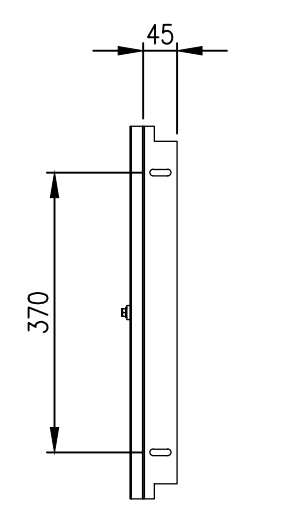


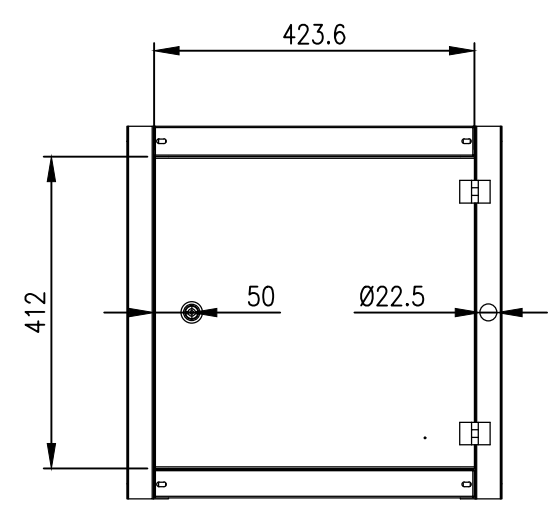
RevNo	Revision note	Date	Signature	Checked
0	GENERAL REVISION		IP	IP



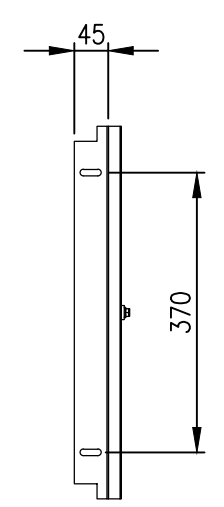
TOP VIEW



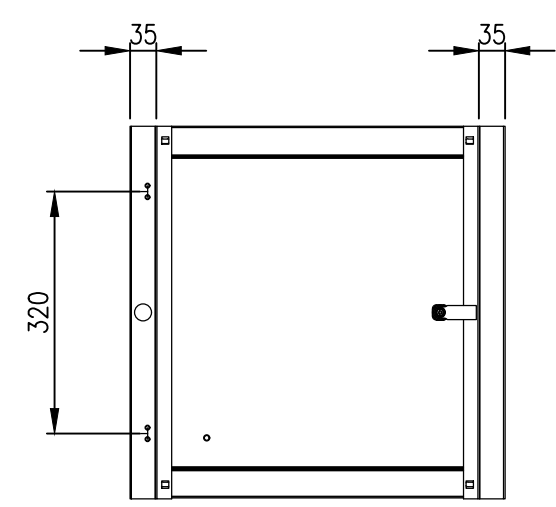
LEFT SIDE VERTICAL FRAME



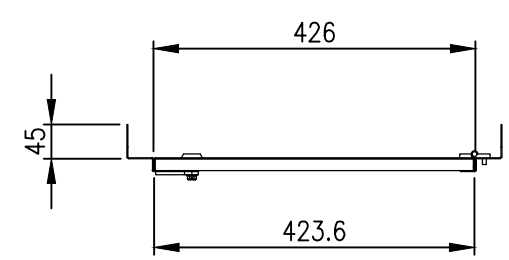
FRONT VIEW



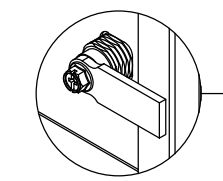
RIGHT SIDE VERTICAL FRAME



REAR VIEW

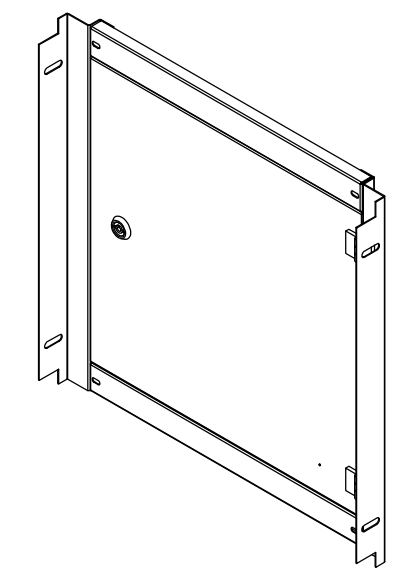
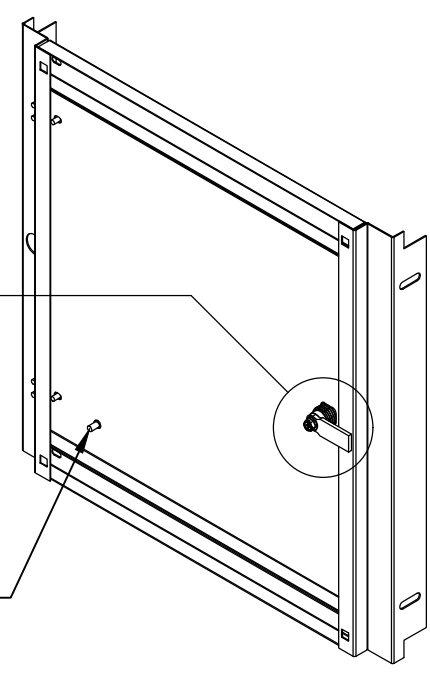


BOTTOM VIEW



LOCKSET SPOT DETAIL

M6x10 STUD WELD (x1)



**MATERIAL**  
 FRAME: 1.5mm 316 STAINLESS STEEL  
 DOOR PANEL: 1.5mm 316 STAINLESS STEEL

**CLEARANCE/DISTANCE DIMENSIONS:**  
 -INNER DOOR TO OUTER DOOR: 68mm  
 -INNER DOOR TO MOUNTING PLATE:  
 -(ENCLOSURE WITH 200 DEPTH): 117.2mm  
 -(ENCLOSURE WITH 250 DEPTH): 167.2mm

© IP ENCLOSURES 2022.  
 THIS DRAWING SHALL NOT BE COPIED OR REPRODUCED  
 WITHOUT AUTHORISATION FROM IP ENCLOSURES.  
 www.ipenclosures.com.au

Itemref	Quantity	Title/Name, designation, material, dimension etc	Article No./Reference
IP	1	500Hx500W 316SS INNER DOOR	IP-SSID5050
Designed by	Checked by	Approved by - date	Filename
IP	IP	04/07/22	IP-SSID5050
Date	Scale	Edition	
04/07/22	1:10	0	
Sheet		Sheet	
1/1		1/1	