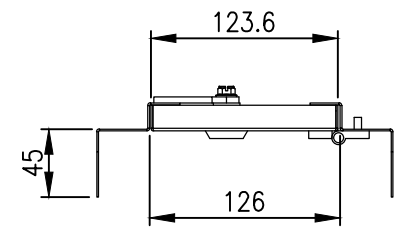
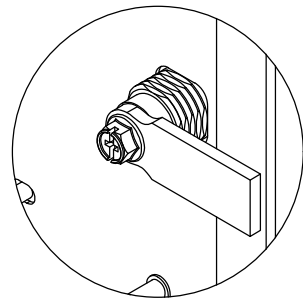


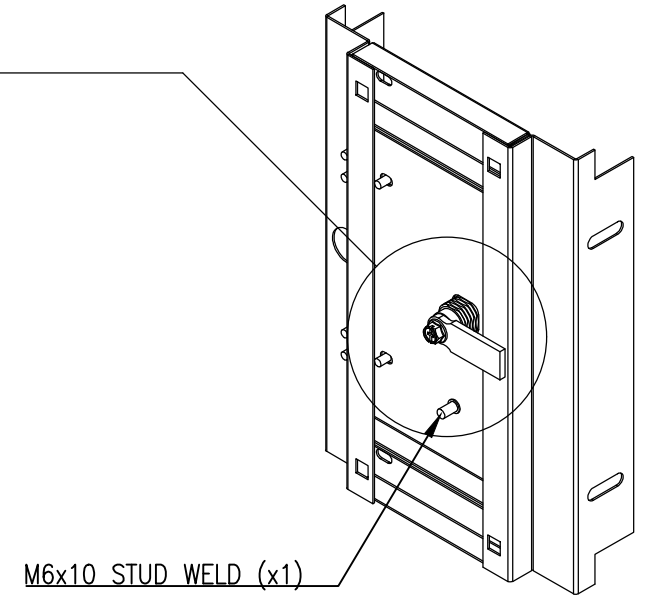
RevNo	Revision note	Date	Signature	Checked
0	GENERAL REVISION		IP	IP



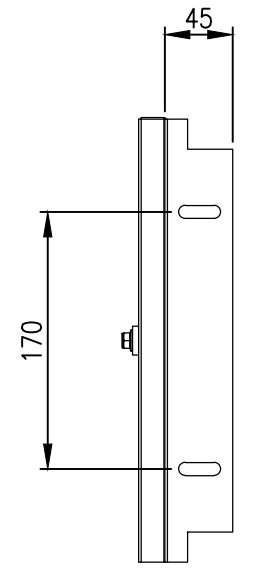
TOP VIEW



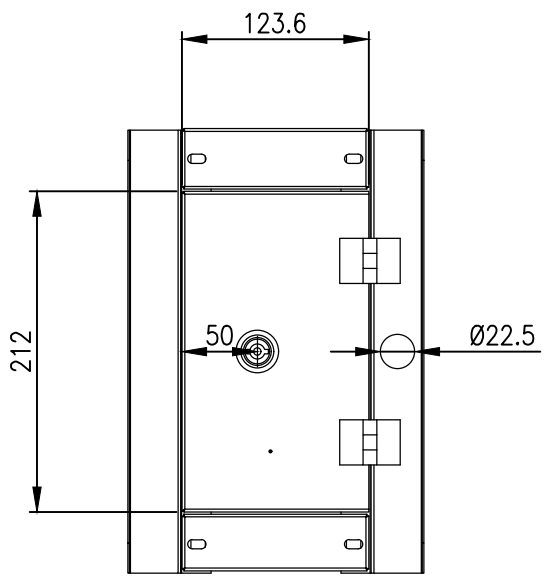
LOCKSET SPOT DETAIL



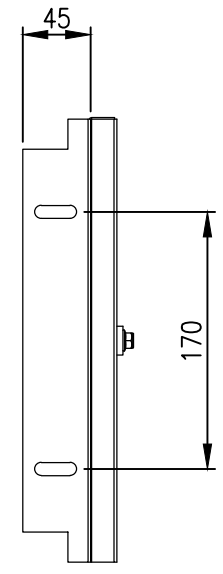
M6x10 STUD WELD (x1)



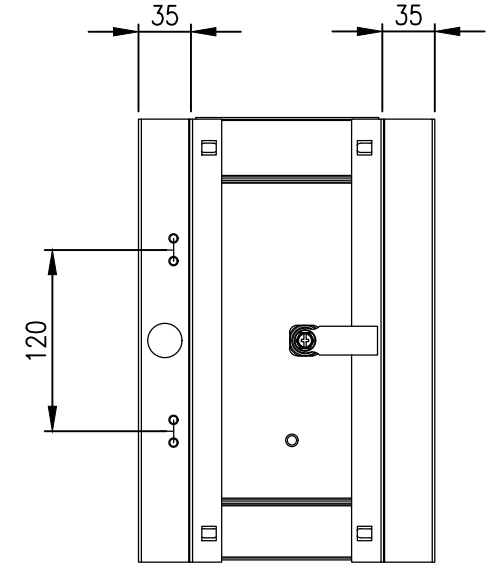
LEFT SIDE VERTICAL FRAME



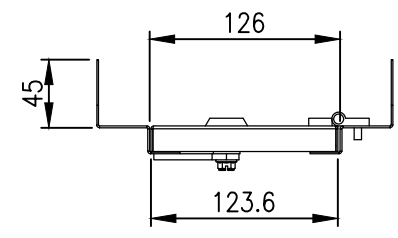
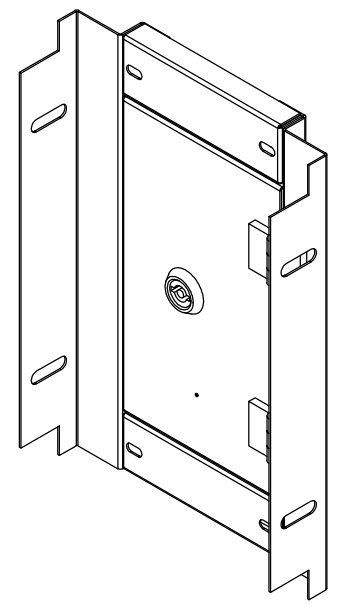
FRONT VIEW



RIGHT SIDE VERTICAL FRAME



REAR VIEW



BOTTOM VIEW

MATERIAL
 FRAME: 1.5mm 316 STAINLESS STEEL
 DOOR PANEL: 1.5mm 316 STAINLESS STEEL

CLEARANCE/DISTANCE DIMENSIONS:
 -INNER DOOR TO OUTER DOOR: 68mm
 -INNER DOOR TO MOUNTING PLATE: 67.2mm

© IP ENCLOSURES 2022.
 THIS DRAWING SHALL NOT BE COPIED OR REPRODUCED
 WITHOUT AUTHORISATION FROM IP ENCLOSURES.
 www.ipenclosures.com.au

Itemref	Quantity	Title/Name, designation, material, dimension etc	Article No./Reference
IP	1	300Hx200W 316SS INNER DOOR	IP-SSID3020
Designed by	Checked by	Approved by - date	Filename
IP	IP	04/07/22	IP-SSID3020
Date	Scale	Edition	
04/07/22	1:5	0	
Sheet			1/1