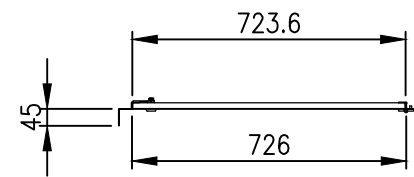
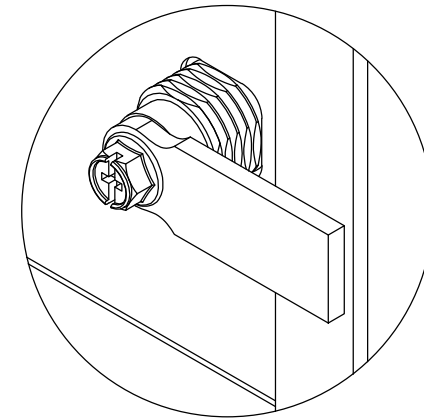


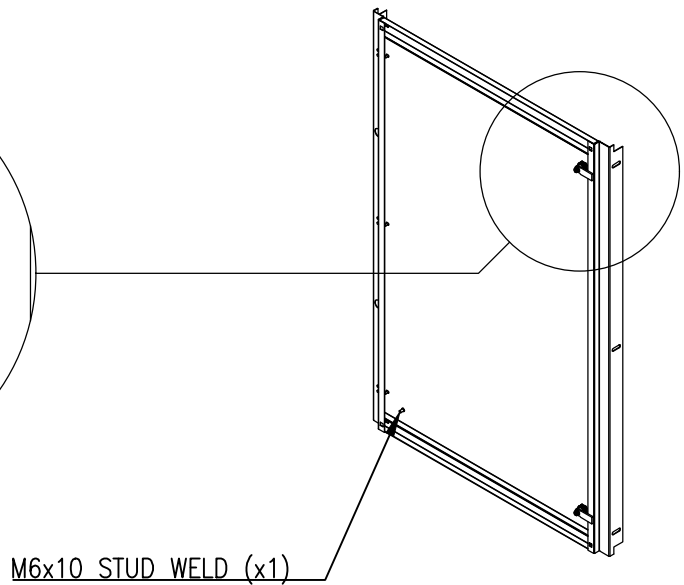
RevNo	Revision note	Date	Signature	Checked
0	GENERAL REVISION		IP	IP



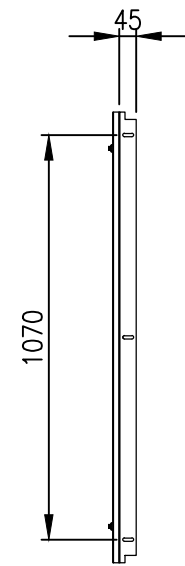
TOP VIEW



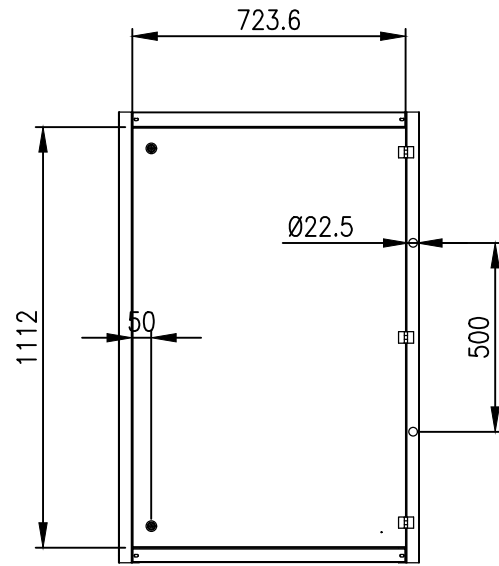
LOCKSET SPOT DETAIL



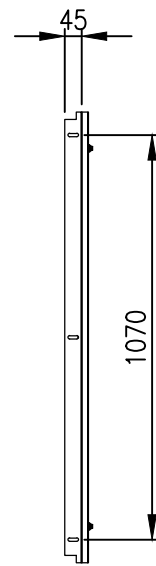
M6x10 STUD WELD (x1)



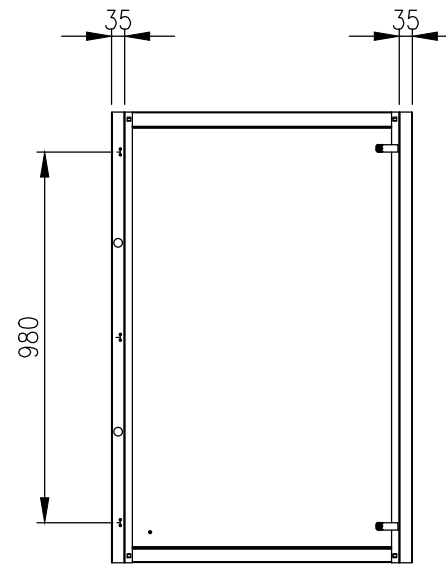
LEFT SIDE VIEW VERTICAL FRAME



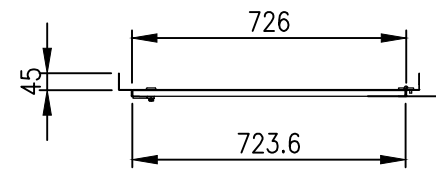
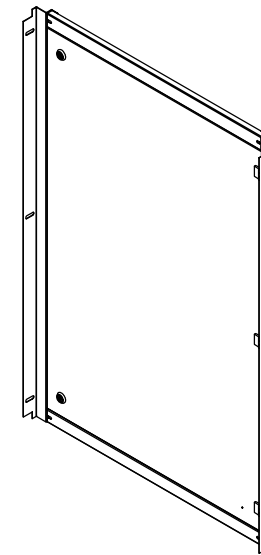
FRONT VIEW



RIGHT SIDE VIEW VERTICAL FRAME



REAR VIEW



BOTTOM VIEW

MATERIAL
 FRAME: 1.5mm 316 STAINLESS STEEL
 DOOR PANEL: 1.5mm 316 STAINLESS STEEL

CLEARANCE/DISTANCE DIMENSIONS:
 -INNER DOOR TO OUTER DOOR: 68mm
 -INNER DOOR TO MOUNTING PLATE:
 -(ENCLOSURE WITH 300 DEPTH): 217.2mm

© IP ENCLOSURES 2022.
 THIS DRAWING SHALL NOT BE COPIED OR REPRODUCED
 WITHOUT AUTHORISATION FROM IP ENCLOSURES.
 www.ipenclosures.com.au

Itemref	Quantity	Title/Name, designation, material, dimension etc	Article No./Reference	
Designed by IP	Checked by IP	Approved by - date 11/07/22	Filename IP-SSD12080	Date 11/07/22
Scale 1:20		1200Hx800W 316SS INNER DOOR		
Edition 0		Sheet 1/1		