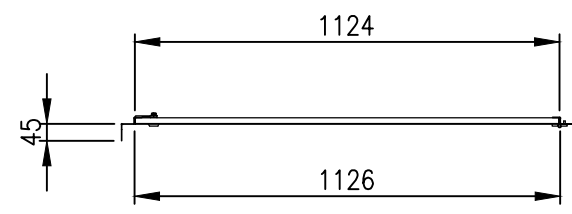
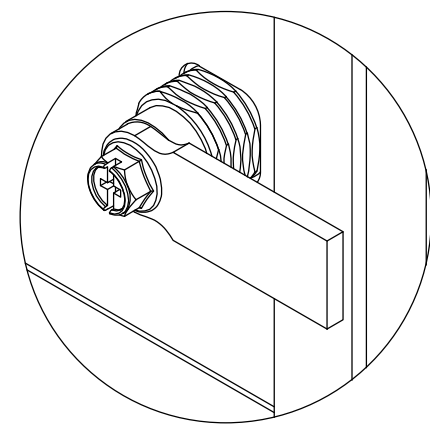


RevNo	Revision note	Date	Signature	Checked
0	GENERAL REVISION		IP	IP

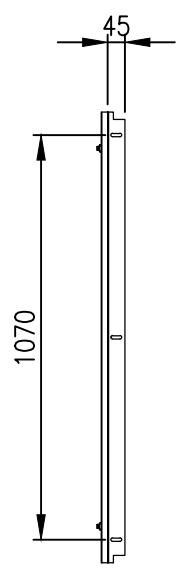
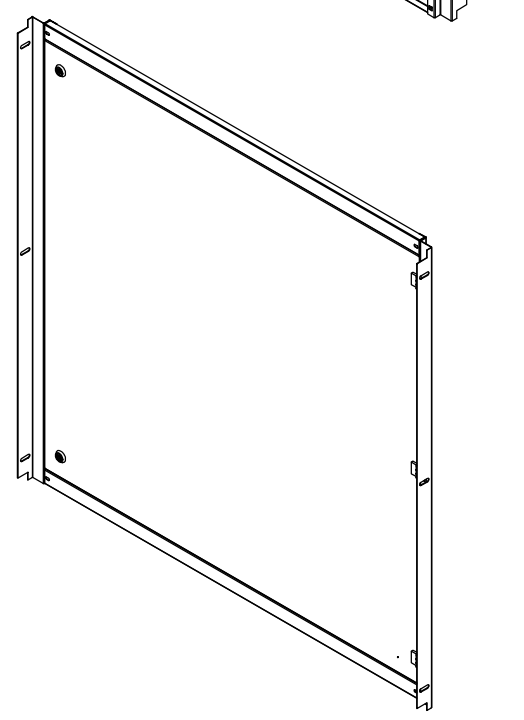


TOP VIEW

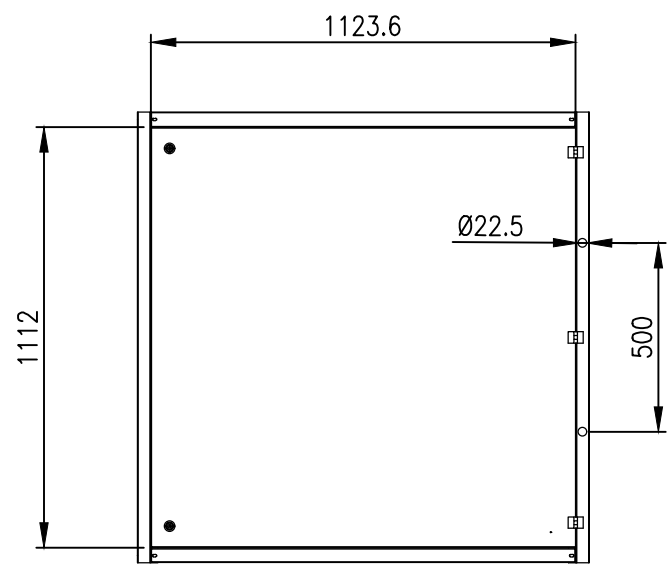


LOCKSET SPOT DETAIL

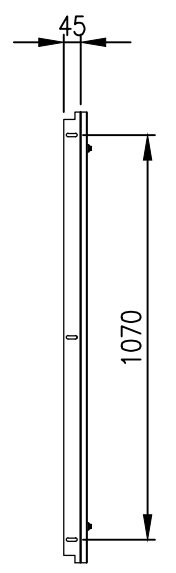
M6x10 STUD WELD (x1)



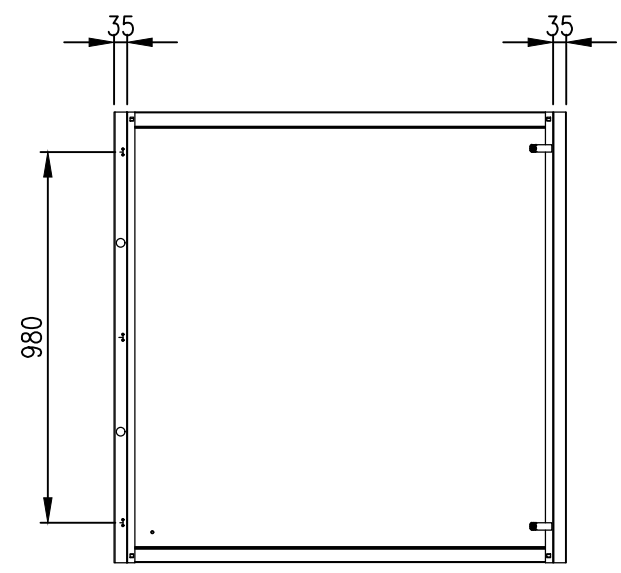
LEFT SIDE VIEW VERTICAL FRAME



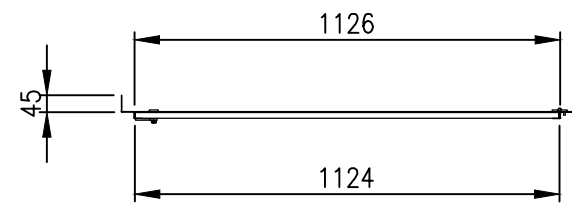
FRONT VIEW



RIGHT SIDE VIEW VERTICAL FRAME



REAR VIEW



BOTTOM VIEW

MATERIAL
 FRAME: 1.5mm 316 STAINLESS STEEL
 DOOR PANEL: 1.5mm 316 STAINLESS STEEL

CLEARANCE/DISTANCE DIMENSIONS:
 -INNER DOOR TO OUTER DOOR: 68mm
 -INNER DOOR TO MOUNTING PLATE:
 -(ENCLOSURE WITH 300 DEPTH): 217.2mm
 -(ENCLOSURE WITH 400 DEPTH): 317.2mm

© IP ENCLOSURES 2022.
 THIS DRAWING SHALL NOT BE COPIED OR REPRODUCED
 WITHOUT AUTHORISATION FROM IP ENCLOSURES.
 www.ipenclosures.com.au

Itemref	Quantity	Title/Name, designation, material, dimension etc	Article No./Reference
Designed by IP	Checked by IP	Approved by - date 11/07/22	Filename IP-SSD120120
		Date 11/07/22	Scale 1:20
			1200Hx1200W 316SS INNER DOOR
IP-SSID120120			Edition 0
			Sheet 1/1