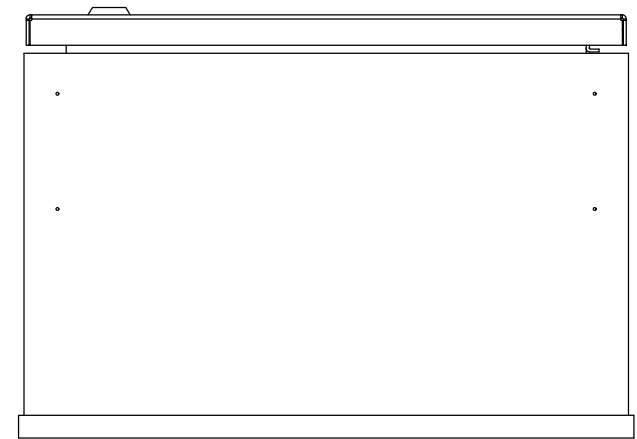
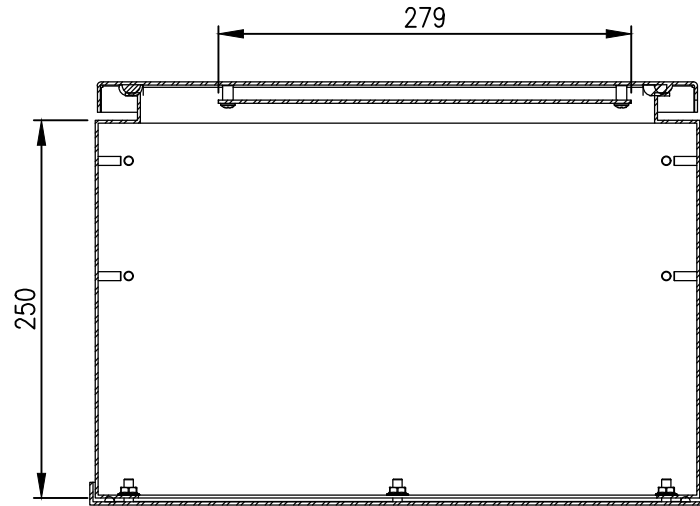


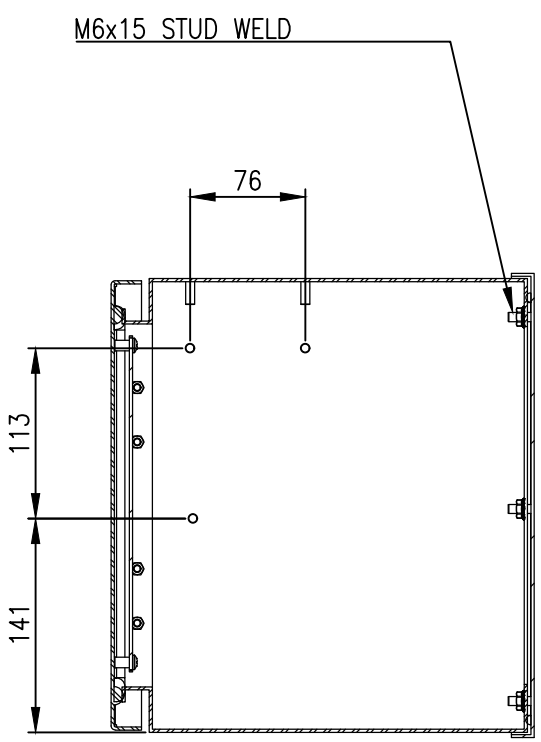
RevNo	Revision note	Date	Signature	Checked
0	GENERAL REVISION		IP	IP



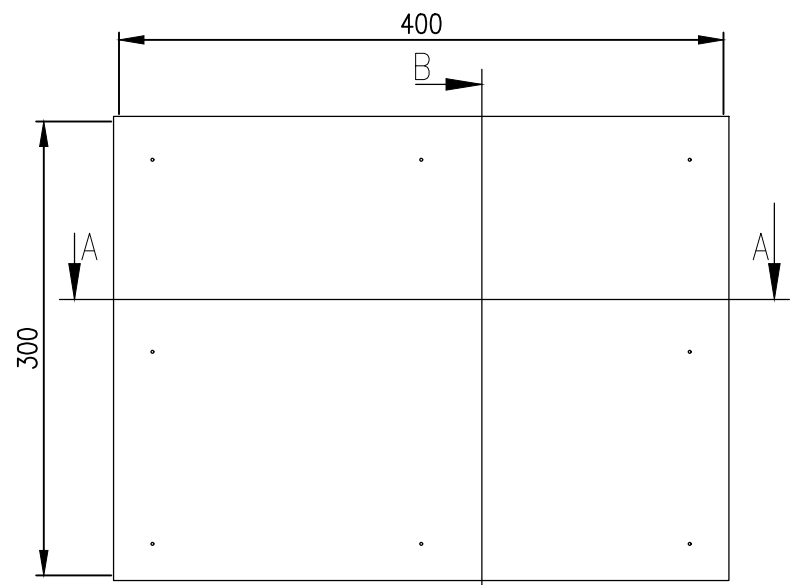
TOP VIEW



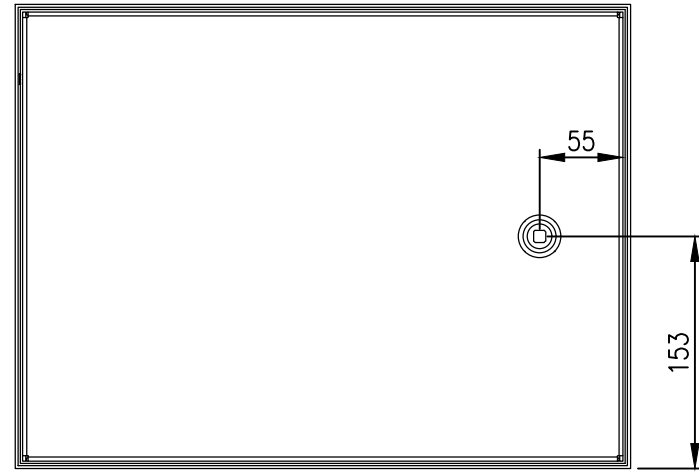
SECTION A-A



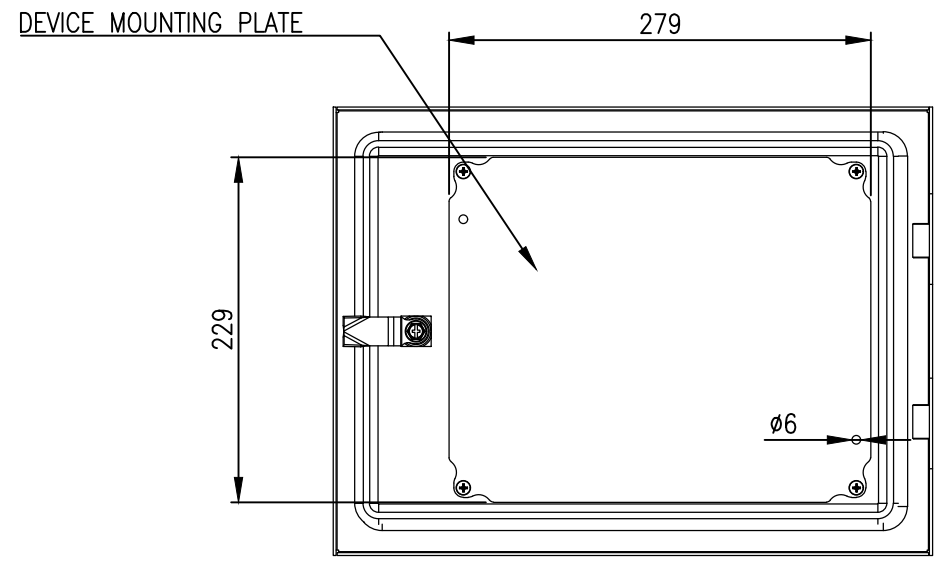
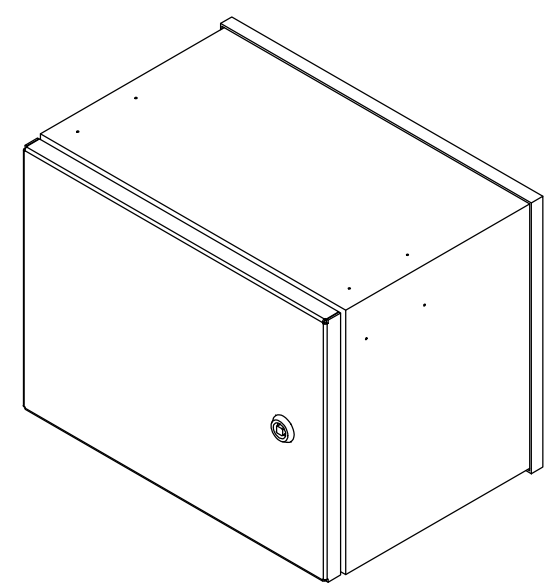
SECTION B-B



FRONT VIEW



REAR VIEW



REAR-DOOR INTERIOR VIEW

**MATERIAL**  
ENCLOSURE BODY: 2.0mm 316 STAINLESS STEEL  
ENCLOSURE DOOR: 316 STAINLESS STEEL  
ENCLOSURE FRONT PANEL: 316 STAINLESS STEEL  
ENCLOSURE SEAL: POLYURETHANE

PROTECTION: IP66  
STANDARD: AS/EN/IEC60529

© IP ENCLOSURES 2022.  
THIS DRAWING SHALL NOT BE COPIED OR REPRODUCED WITHOUT  
AUTHORISATION FROM IP ENCLOSURES.  
www.ipenclosures.com.au

Itemref	Quantity	Title/Name, designation, material, dimension etc	Article No./Reference
IP	1	300Hx400Wx250D 316SS HMI ENCLOSURE	IP-SSHMI304025
Designed by	Checked by	Approved by - date	Filename Date Scale
IP	IP	15/08/22	IP-SSHMI304025 15/08/22 1:5
Edition			Sheet
0			1/1