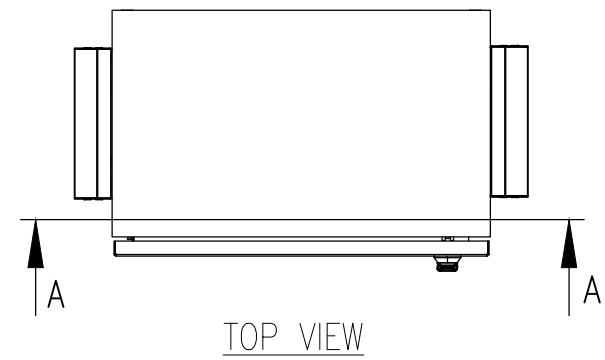
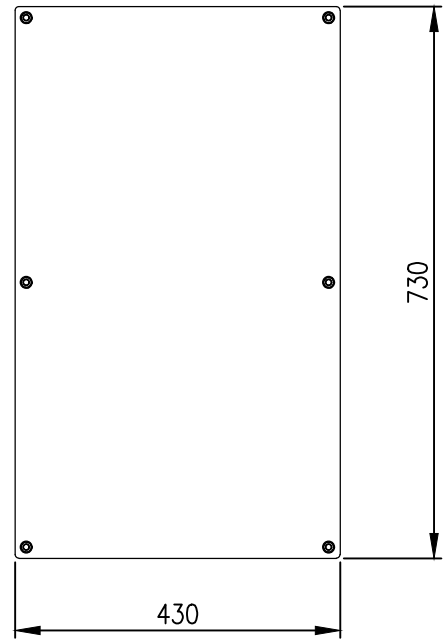


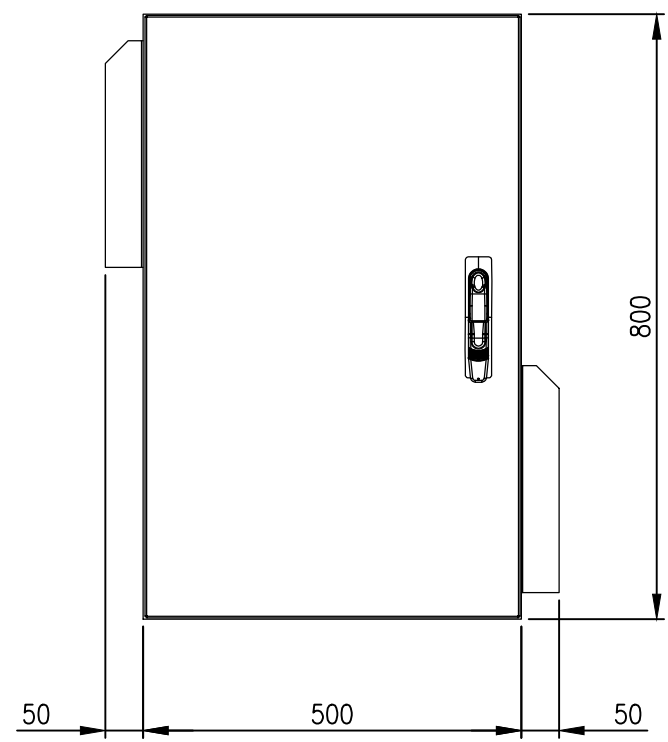
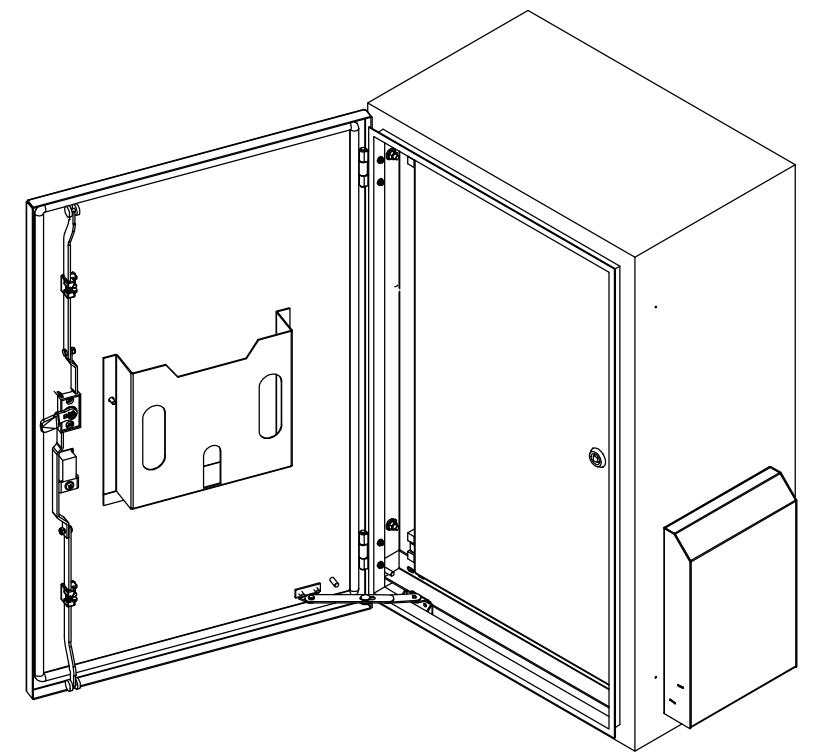
RevNo	Revision note	Date	Signature	Checked
0	GENERAL REVISION		IP	IP



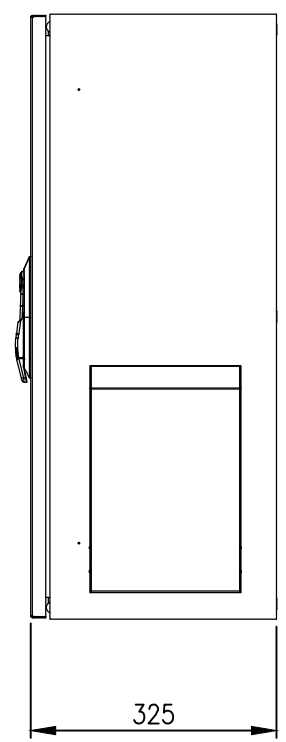
TOP VIEW



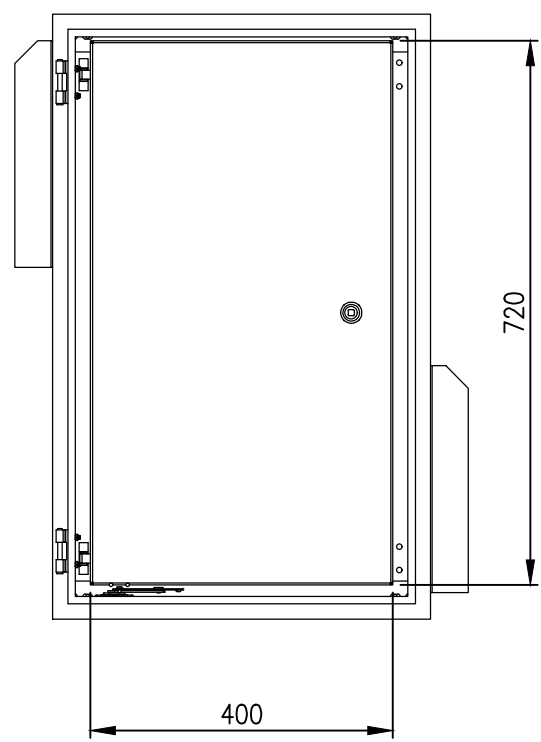
DEVICE MOUNTING PLATE



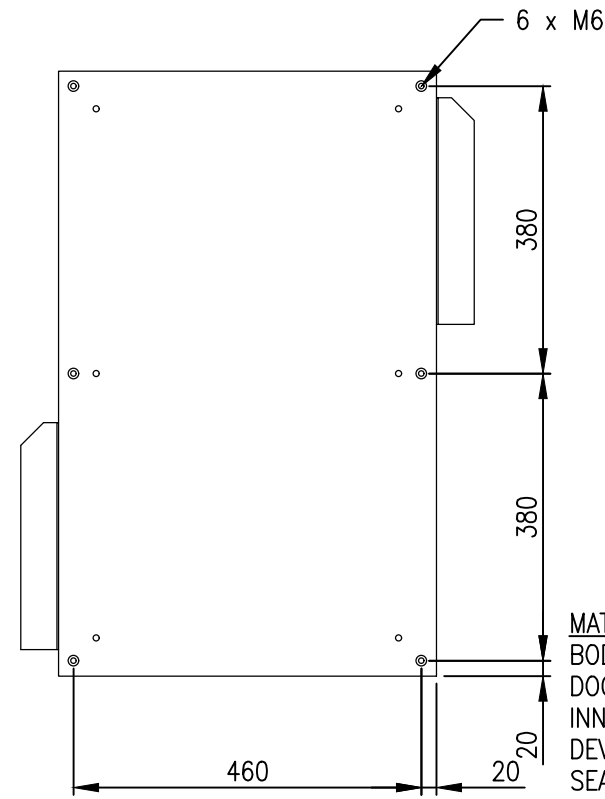
FRONT VIEW



SIDE VIEW



SECTION AA
INNER DOOR



MATERIAL
 BODY: 1.5mm 316 STAINLESS STEEL
 DOOR: 1.5mm 316 STAINLESS STEEL
 INNER DOOR: 1.5mm 316 STAINLESS STEEL
 DEVICE PLATE: 1.5mm GALV STEEL
 SEAL: POLYURETHANE

PROTECTION: IP55 IK10, NEMA4x
STANDARD: IEC62208, IEC/EN/AS60529

© IP ENCLOSURES 2016.
 THIS DRAWING SHALL NOT BE COPIED OR REPRODUCED
 WITHOUT AUTHORISATION FROM IP ENCLOSURES.
 www.ipenclosures.com.au

Itemref	Quantity	Title/Name, designation, material, dimension etc	Article No./Reference
IP	1	800Hx500Wx325D 316SS FIELD CABINET	IP-SSFC805032
IP	1	DEVICE MOUNTING PLATE	IP-SSFC805032



800Hx500Wx325D 316SS FIELD CABINET
 IP-SSFC805032
 Edition 0
 Sheet 1/1