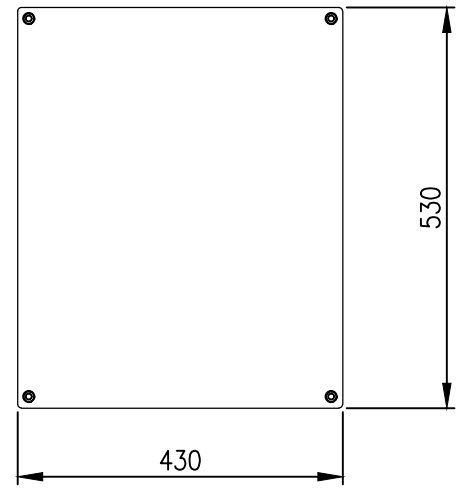
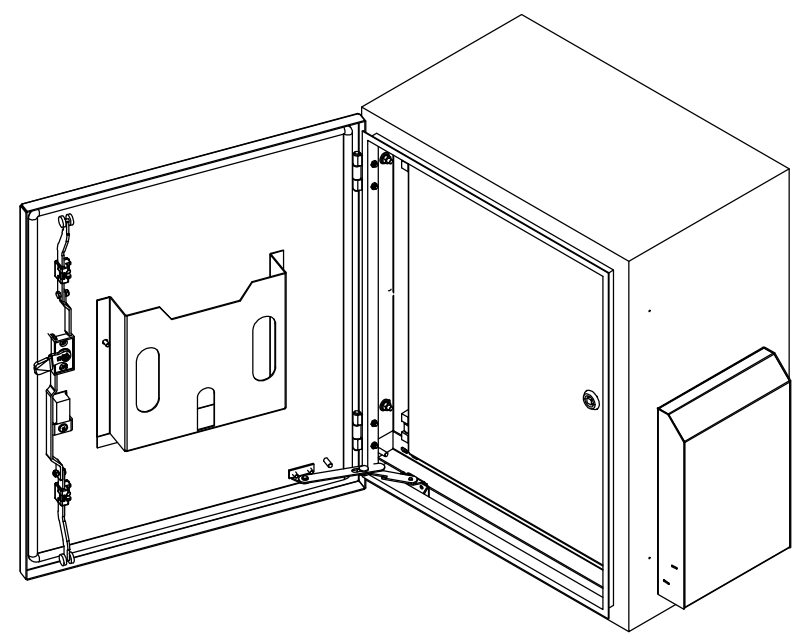
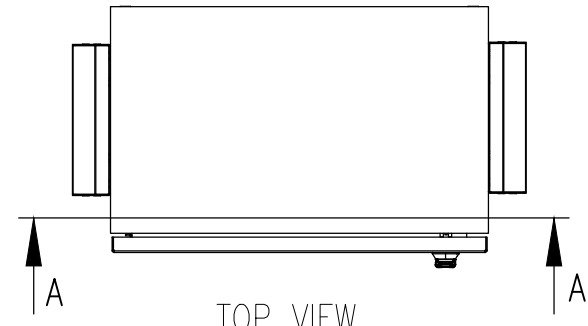


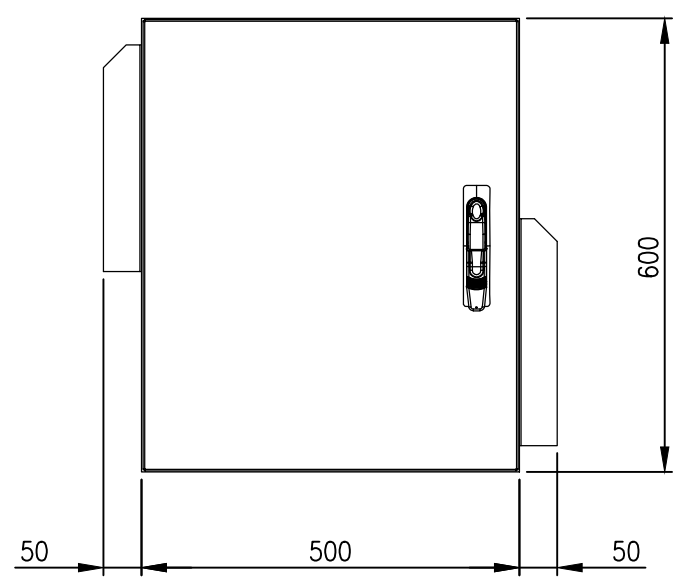
|       |                  |      |           |         |
|-------|------------------|------|-----------|---------|
| RevNo | Revision note    | Date | Signature | Checked |
| 0     | GENERAL REVISION |      | IP        | IP      |



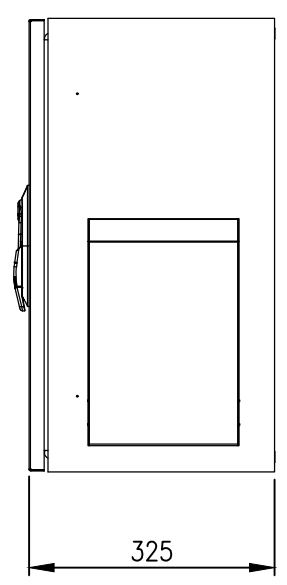
DEVICE MOUNTING PLATE



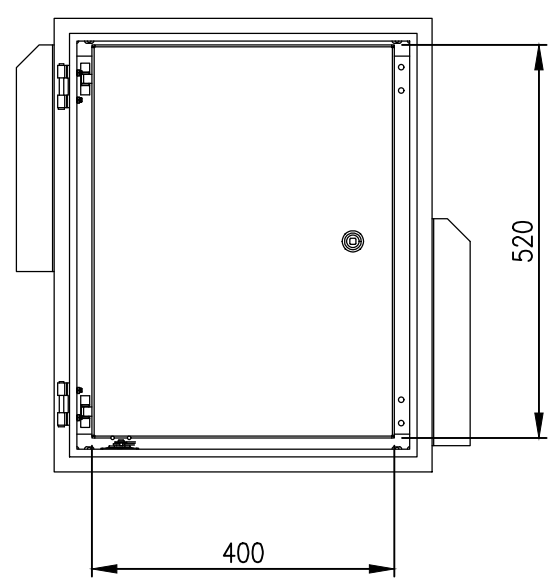
TOP VIEW



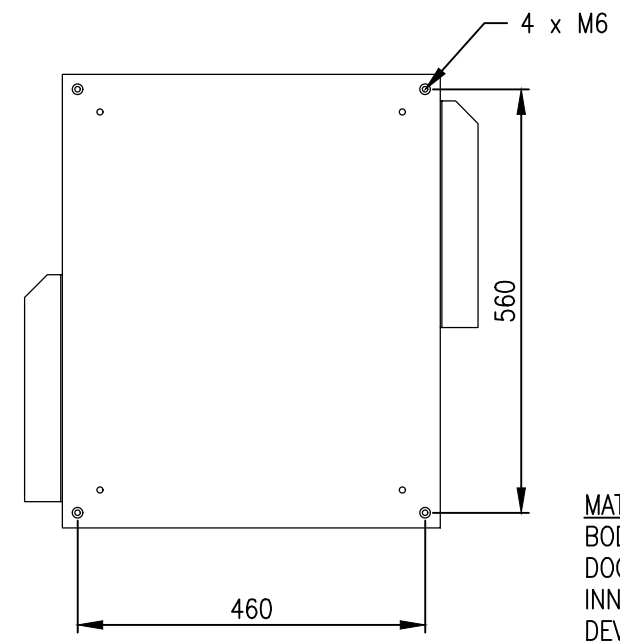
FRONT VIEW



SIDE VIEW



SECTION AA  
INNER DOOR



REAR VIEW

**MATERIAL**  
 BODY: 1.5mm 316 STAINLESS STEEL  
 DOOR: 1.5mm 316 STAINLESS STEEL  
 INNER DOOR: 1.5mm 316 STAINLESS STEEL  
 DEVICE PLATE: 1.5mm GALV STEEL  
 SEAL: POLYURETHANE

**PROTECTION:** IP55 IK10, NEMA4x  
**STANDARD:** IEC62208, IEC/EN/AS60529

© IP ENCLOSURES 2016.  
 THIS DRAWING SHALL NOT BE COPIED OR REPRODUCED  
 WITHOUT AUTHORISATION FROM IP ENCLOSURES.  
 www.ipenclosures.com.au

|             |            |  |                       |
|-------------|------------|--|-----------------------|
| Itemref     | Quantity   | Title/Name, designation, material, dimension etc | Article No./Reference |
| IP          | 1          | 600Hx500Wx325D 316SS FIELD CABINET               | IP-SSFC605032         |
| Designed by | Checked by | Approved by - date                               | Filename              |
| IP          | IP         | 06/07/21   | IP-SSFC605032         |
| Date        | Scale      | Edition  |                       |
| 06/07/21    | 1:10       | 0  |                       |
| Sheet       |            |  | 1/1                   |