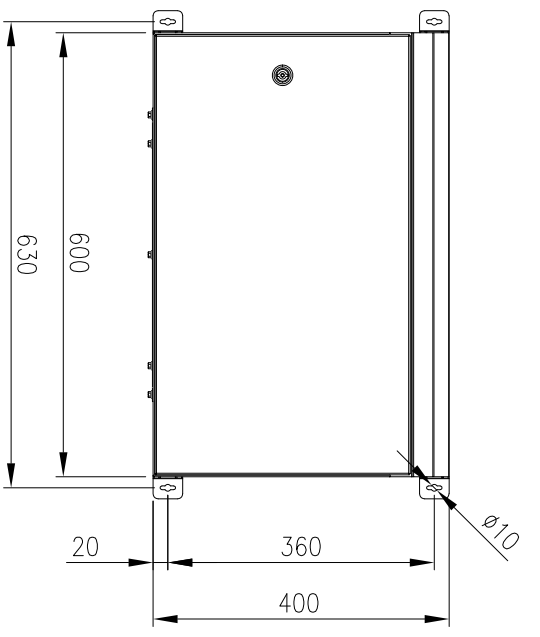
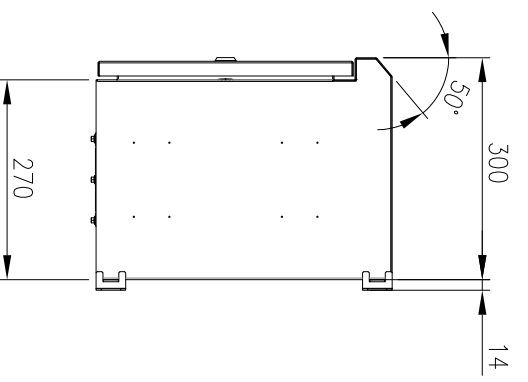


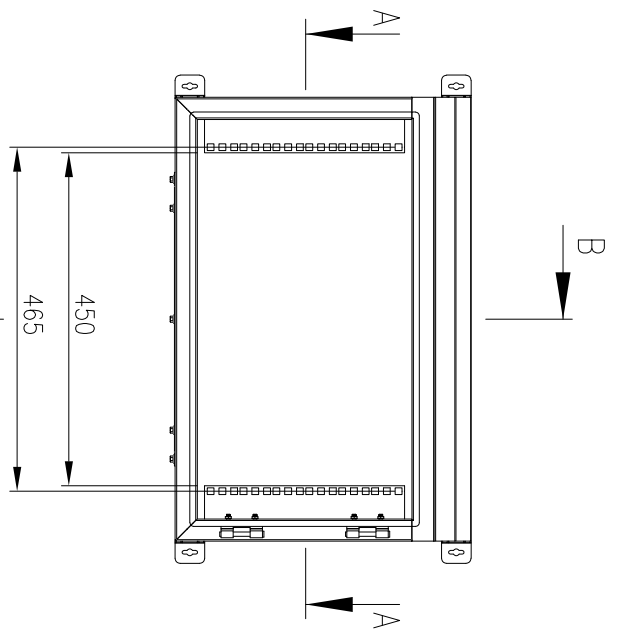
PLAN



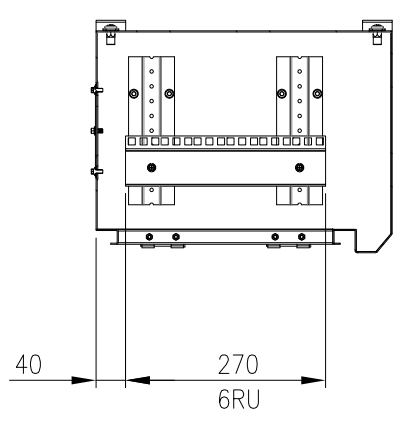
FRONT VIEW



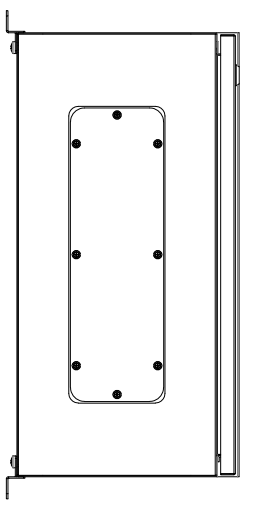
SIDE VIEW



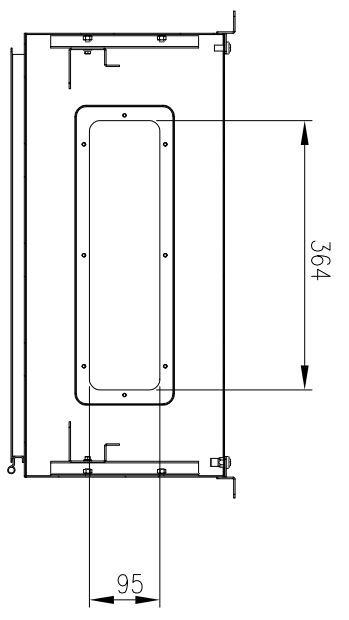
FRONT VIEW - DOOR REMOVED



SECTION BB



BOTTOM VIEW



SECTION AA

MATERIAL
 BODY: 1.5mm GRADE 316 STAINLESS STEEL
 DOOR: 1.5mm GRADE 316 STAINLESS STEEL
 19" RAILS: 1.5mm GALVANISED STEEL SHEET
 SEAL: POLYURETHANE

PROTECTION: IP66 IK10, NEMA4
STANDARD: EIA-310-D, IEC/EN/AS60529

© IP ENCLOSURES 2016.
 THIS DRAWING SHALL NOT BE COPIED OR REPRODUCED
 WITHOUT AUTHORISATION FROM IP ENCLOSURES.
 www.ipenclosures.com.au

Item#	Quantity	TradeName, designation, material, dimension etc.	Article No/Reference	Scale
IP	1	316SS 6RU 19" DATA RACK 300 DEEP	IP-SSW6RU30	1:10
IP	1	316SS 6RU 19" DATA RACK 300 DEEP	IP-SSW6RU30	1:10

