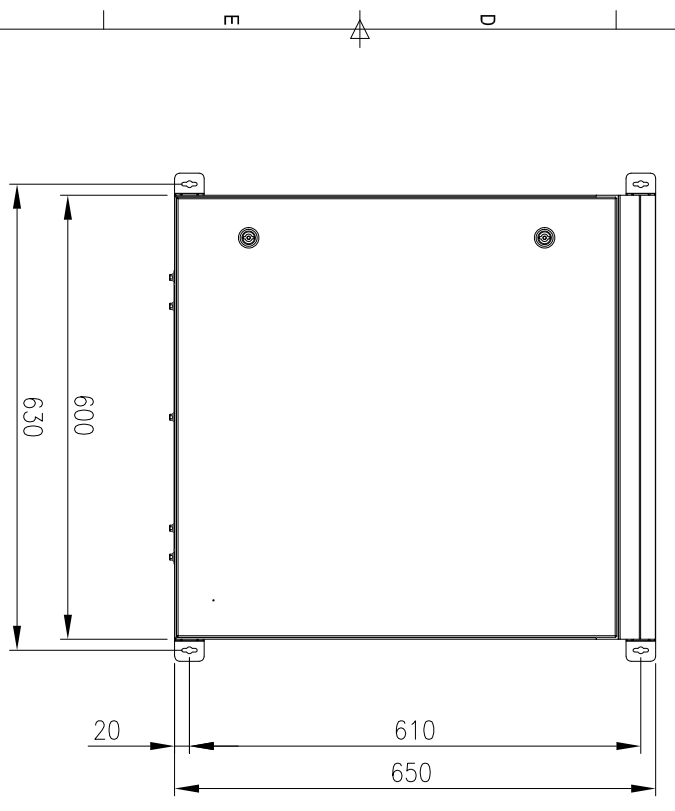
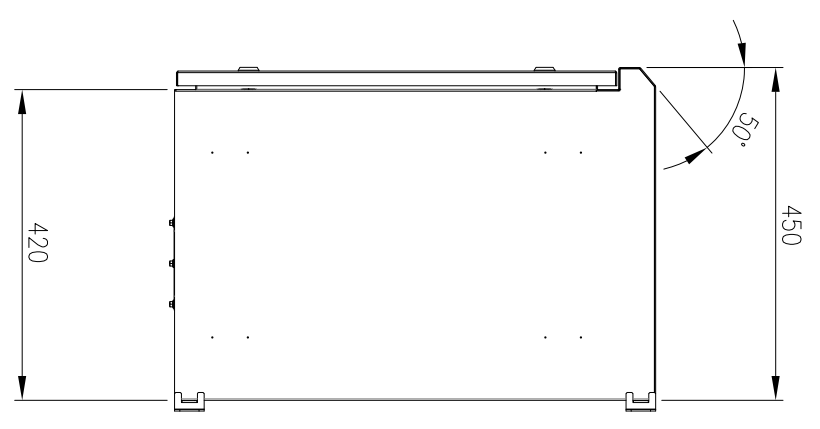


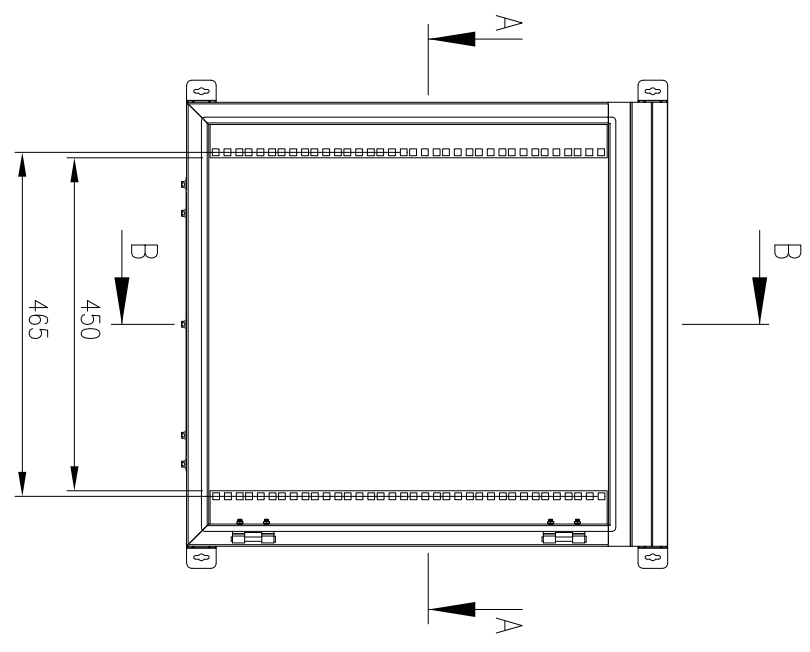
PLAN



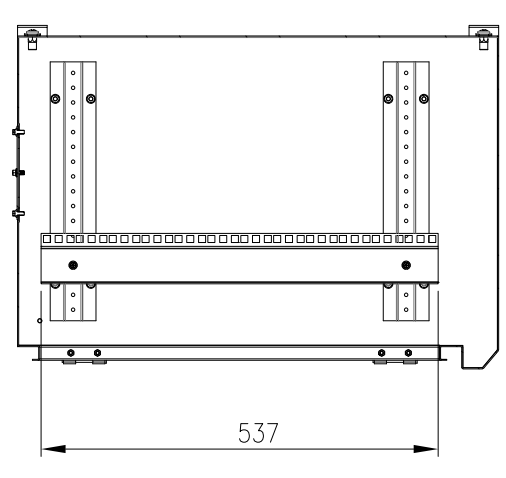
FRONT VIEW



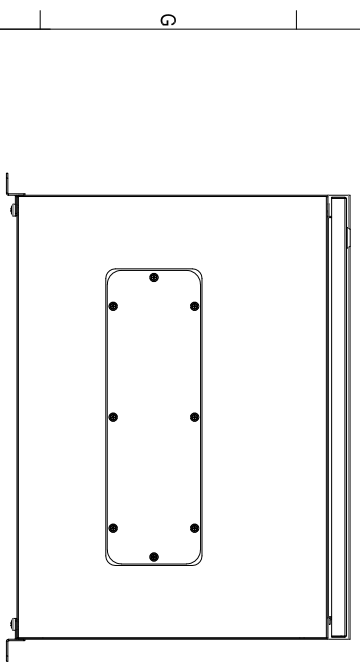
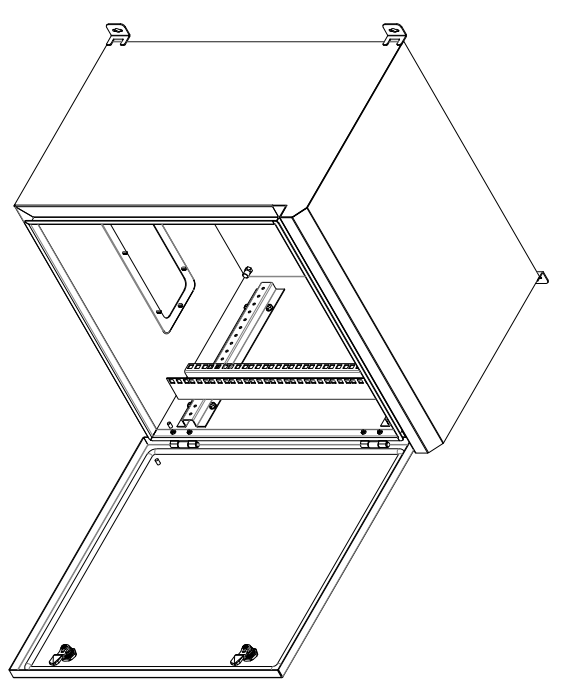
SIDE VIEW



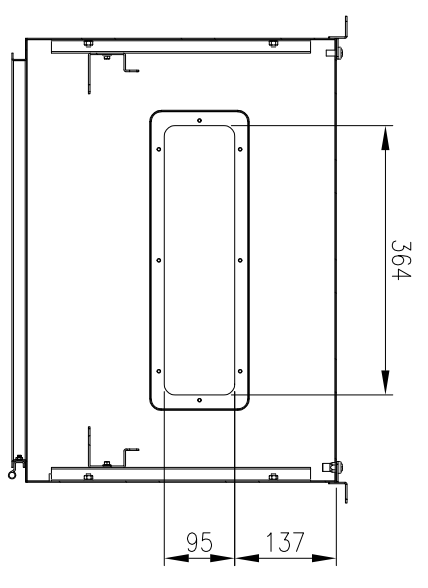
FRONT VIEW - DOOR REMOVED



SECTION BB



BOTTOM VIEW



SECTION AA

MATERIAL
 BODY: 1.5mm GRADE 316 STAINLESS STEEL
 DOOR: 1.5mm GRADE 316 STAINLESS STEEL
 19" RAILS: 1.5mm GALVANISED STEEL SHEET
 SEAL: POLYURETHANE
 PROTECTION: IP66 IK10, NEMA4
 STANDARD: EIA-310-D, IEC/EN/AS60529

Item#	Quantity	PartName, designation, material, dimension etc.	Article No./Reference	Scale
IP				1:10
Designed by	Checked by	Approved by - date	Filename	Date
IP	IP	03/08/21	IP-SSDW2R45	03/08/21
316SS 12RU 19" DATA RACK 450 DEEP				
IP-SSDW2R45				
Edition 0				Sheet 1/1

© IP ENCLOSURES 2016.
 THIS DRAWING SHALL NOT BE COPIED OR REPRODUCED
 WITHOUT AUTHORISATION FROM IP ENCLOSURES.
 www.ipenclosures.com.au