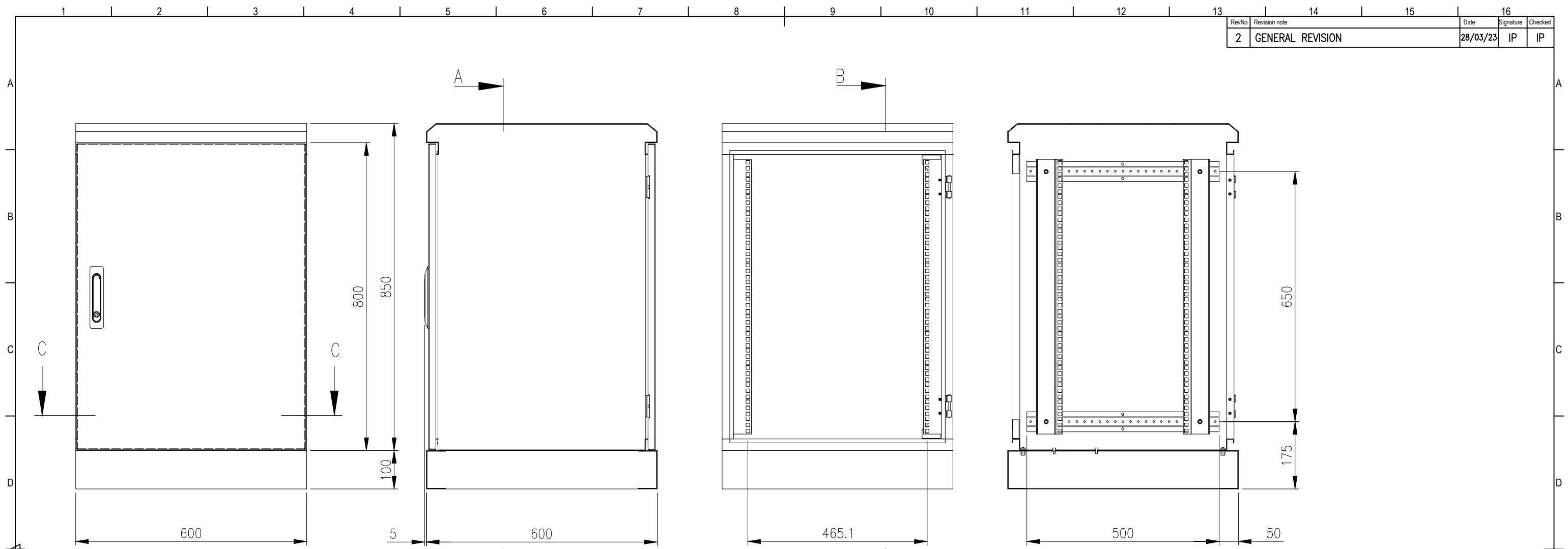


RevNo	Revision note	Date	Signature	Checked
2	GENERAL REVISION	28/03/23	IP	IP

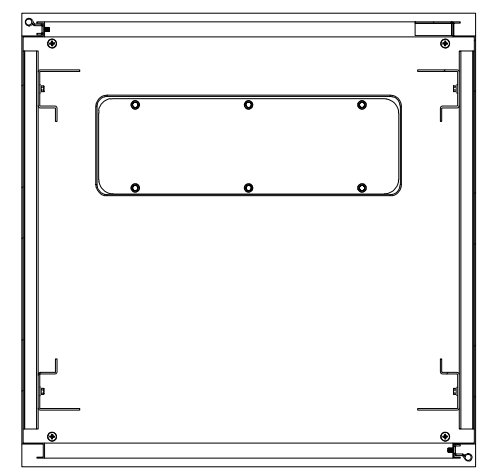


FRONT VIEW

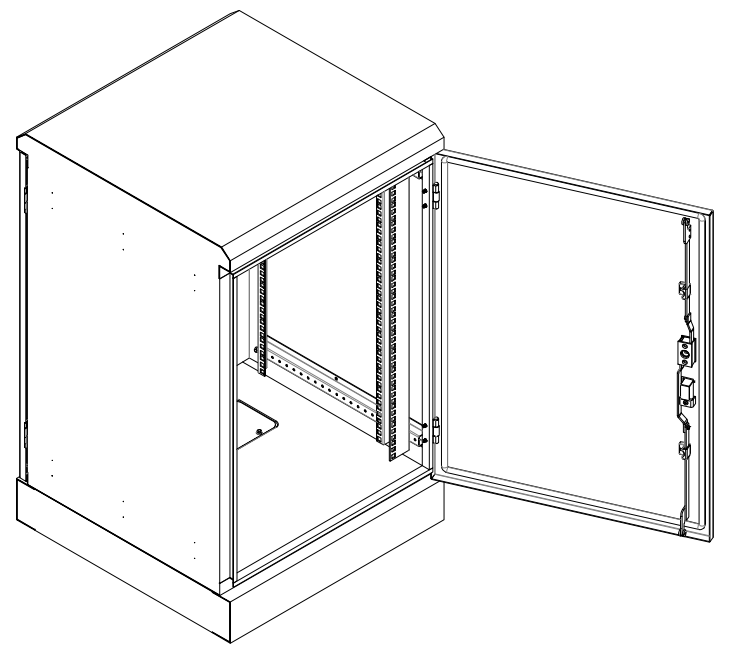
SIDE VIEW

SECTION AA

SECTION BB



SECTION CC



MATERIAL
 BODY: 1.5mm STAINLESS STEEL
 DOOR: 1.5mm STAINLESS STEEL
 19" DATA RACK RAILS: 1.5mm GALVANISED STEEL
 SEAL: POLYURETHANE

PROTECTION: IP66 IK10, NEMA4
STANDARD: IEC/EN/AS60529

© IP ENCLOSURES 2018.
 THIS DRAWING SHALL NOT BE COPIED OR REPRODUCED
 WITHOUT AUTHORISATION FROM IP ENCLOSURES.
 www.ipenclosures.com.au

Itemref	Quantity	Title/Name, designation, material, dimension etc	Article No./Reference
Designed by	Checked by	Approved by - date	Filename
IP	IP	02/07/18	IP-SSD806060
Date	Scale	16RU 316SS IP66 19" DATA RACK	
02/07/18	1:10	IP-SSD806060	Edition 2
		Sheet 1/1	