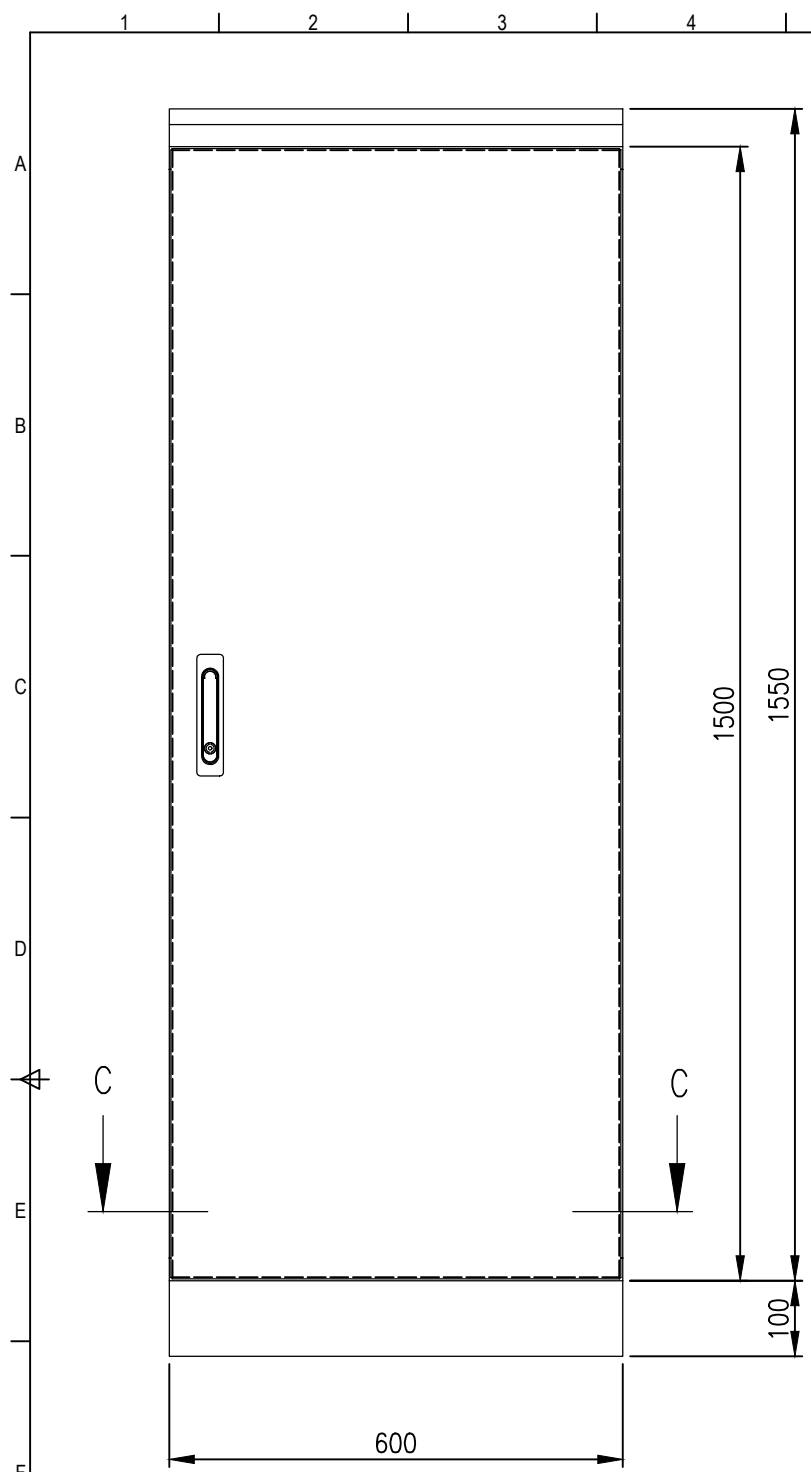
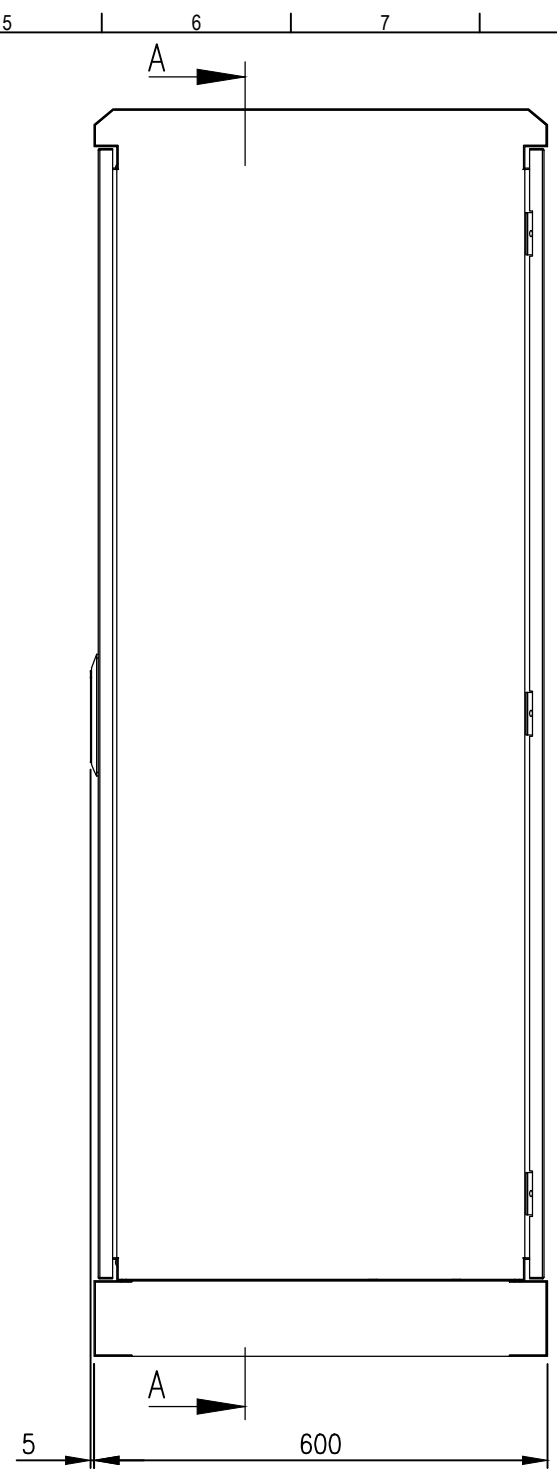


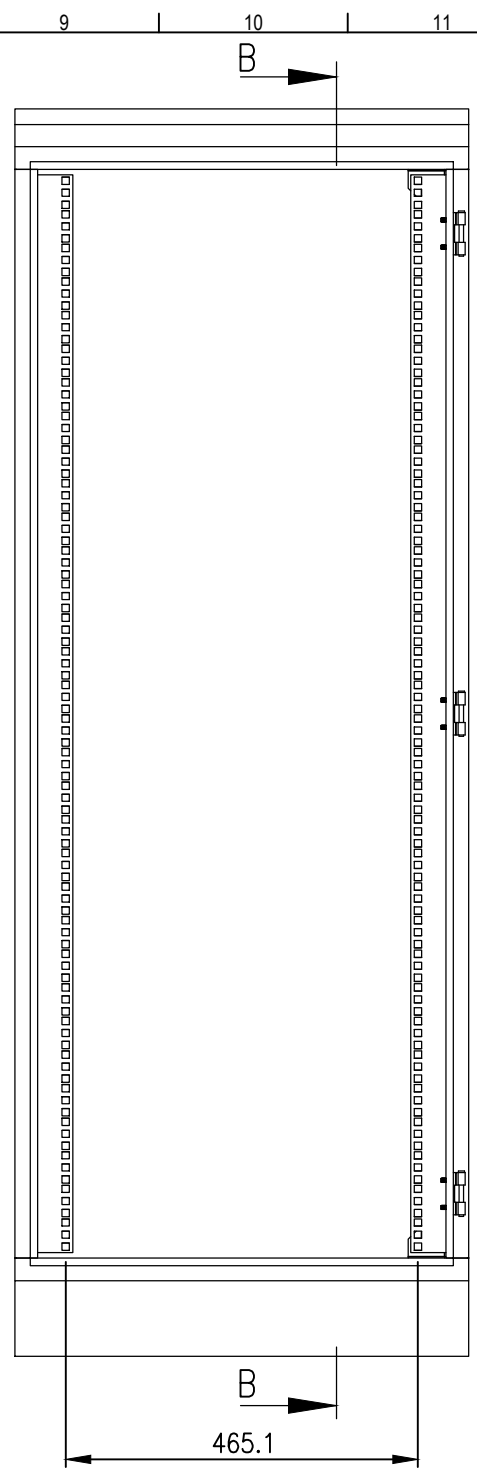
| | | | | |
|-------|------------------|----------|-----------|---------|
| RevNo | Revision note | Date | Signature | Checked |
| 2 | GENERAL REVISION | 28/03/23 | IP | IP |



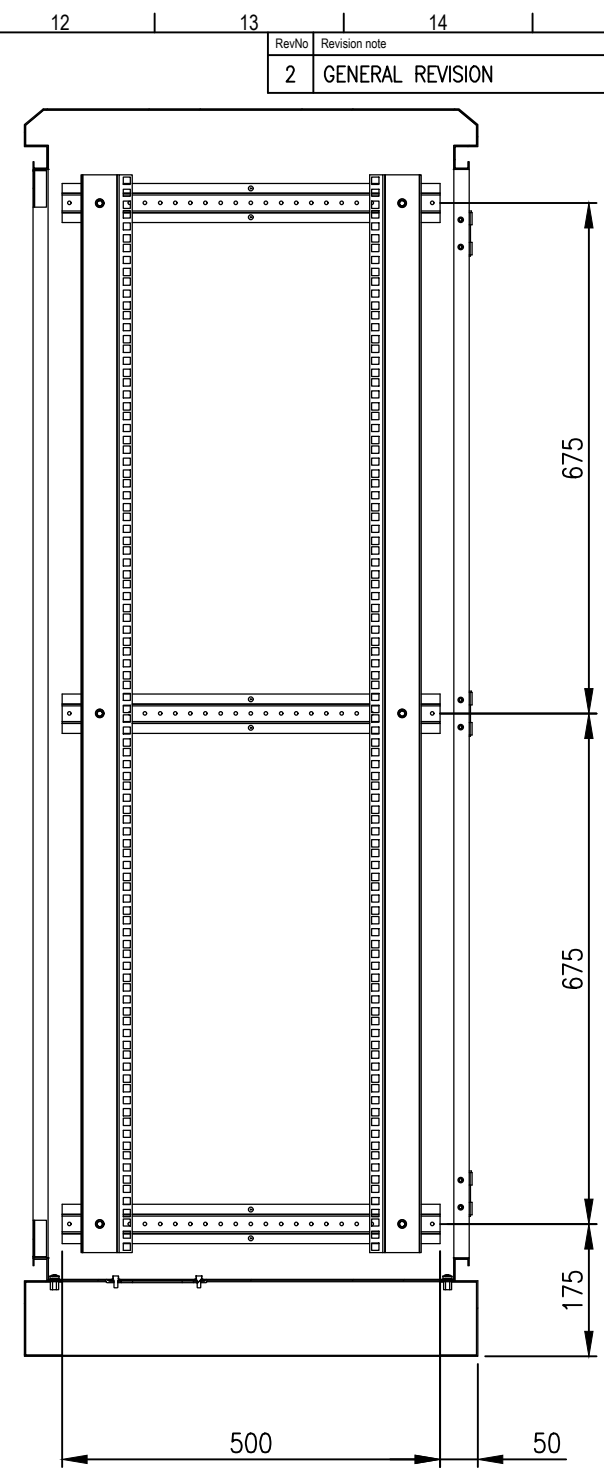
FRONT VIEW



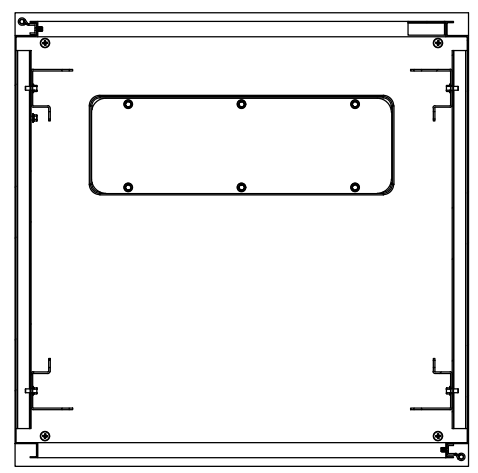
SIDE VIEW



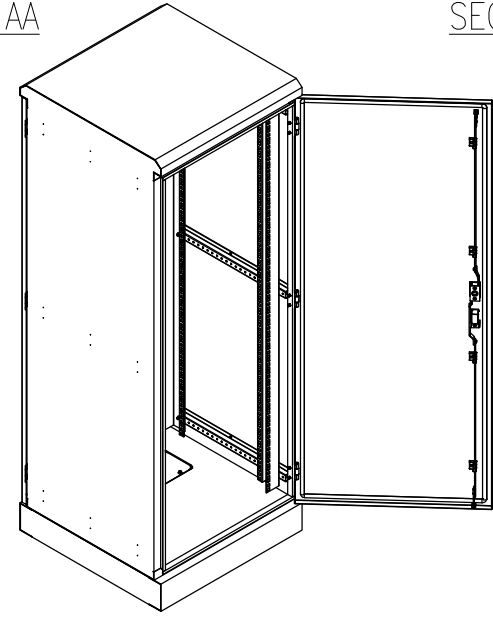
SECTION AA



SECTION BB



SECTION CC



MATERIAL
 BODY: 1.5mm STAINLESS STEEL
 DOOR: 1.5mm STAINLESS STEEL
 19" DATA RACK RAILS: 1.5mm GALVANISED STEEL
 SEAL: POLYURETHANE

PROTECTION: IP66 IK10, NEMA4
STANDARD: IEC/EN/AS60529

© IP ENCLOSURES 2018.
 THIS DRAWING SHALL NOT BE COPIED OR REPRODUCED
 WITHOUT AUTHORISATION FROM IP ENCLOSURES.
 www.ipenclosures.com.au

| Itemref | Quantity | Title/Name, designation, material, dimension etc | Article No./Reference |
|-------------------|------------------|--|--|
| Designed by IP | Checked by IP | Approved by - date 02/07/18 | Filename IP--SSD1606060 |
| | | Date 02/07/18 | Scale 1:10 |
| | | | 32RU 316SS IP66 19" DATA RACK IP--SSD1606060 |
| | | Edition 2 | Sheet 1/1 |