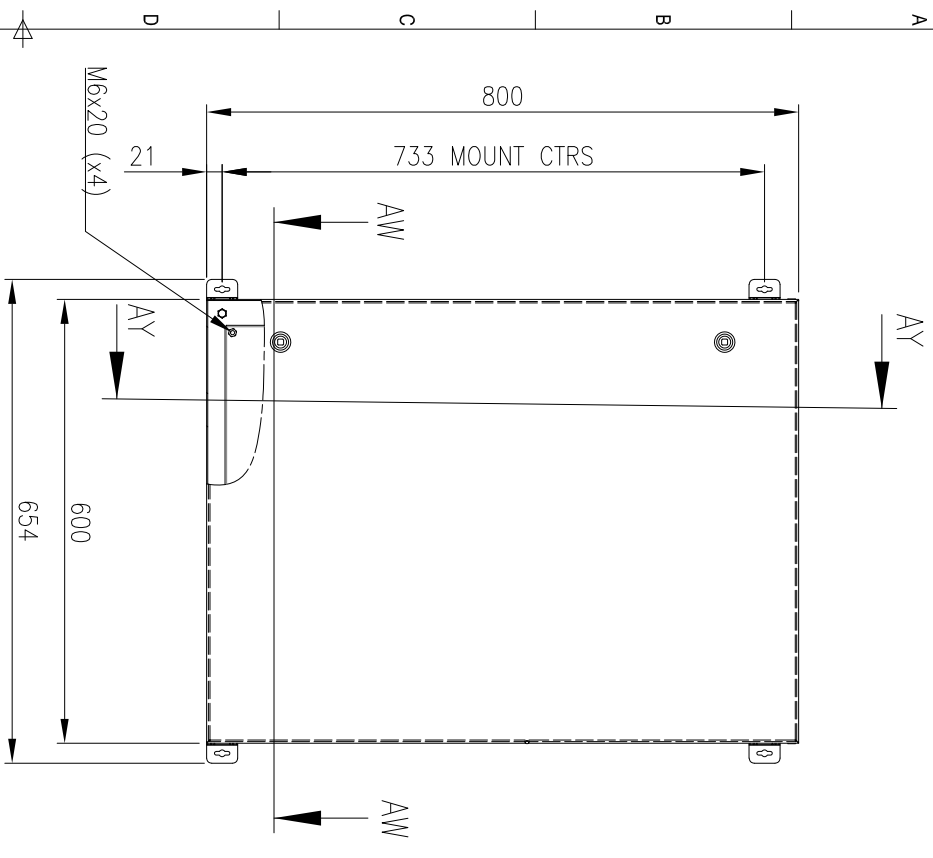
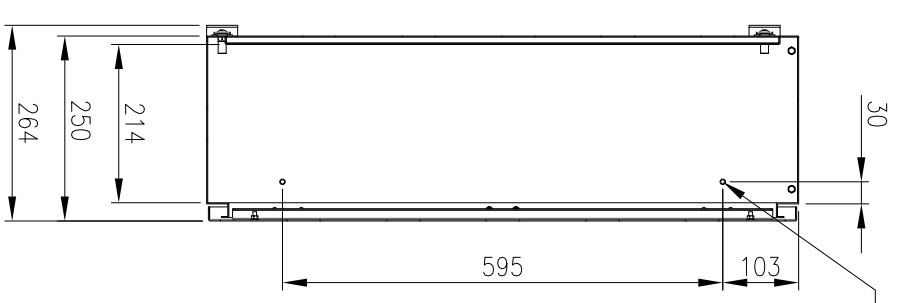
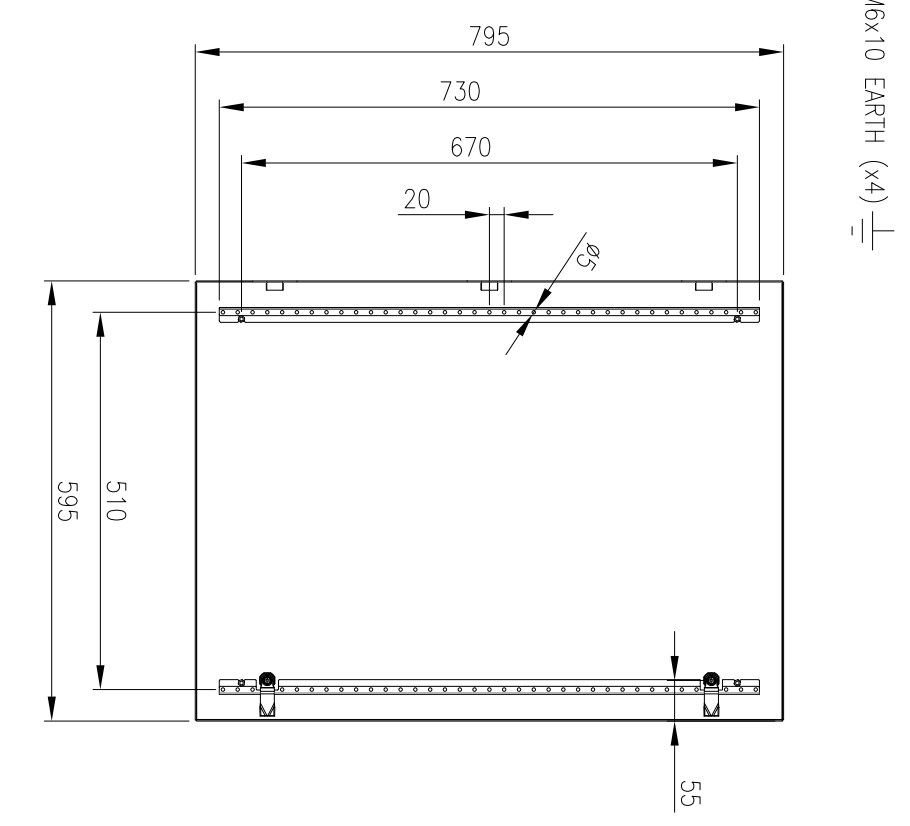
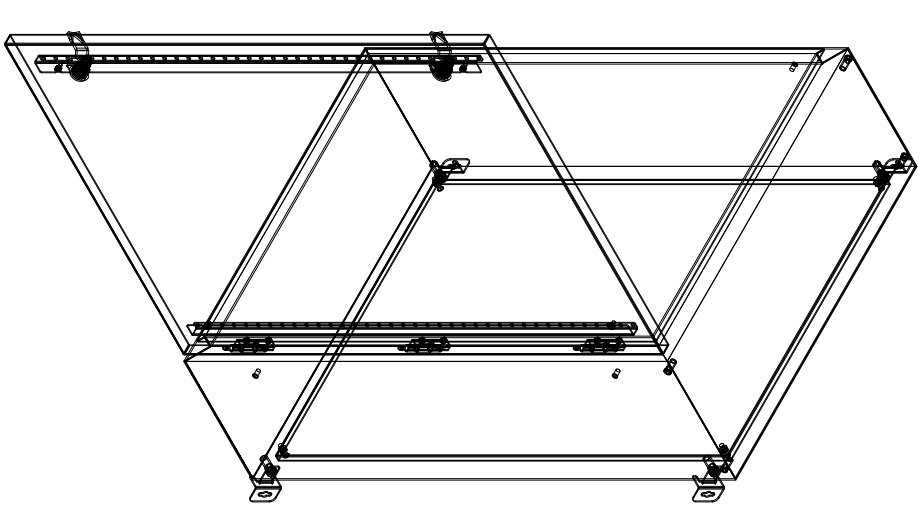
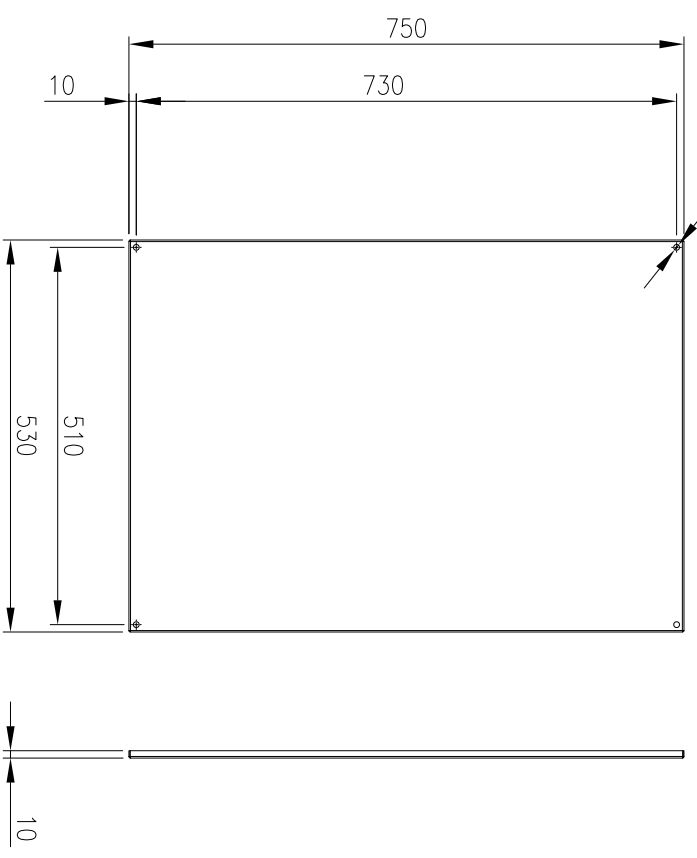


| RevNo | Revision note | Date | Signature | Checked |
|-------|------------------|--------|-----------|---------|
| 1 | GENERAL REVISION | 9/8/17 | IP | IP |

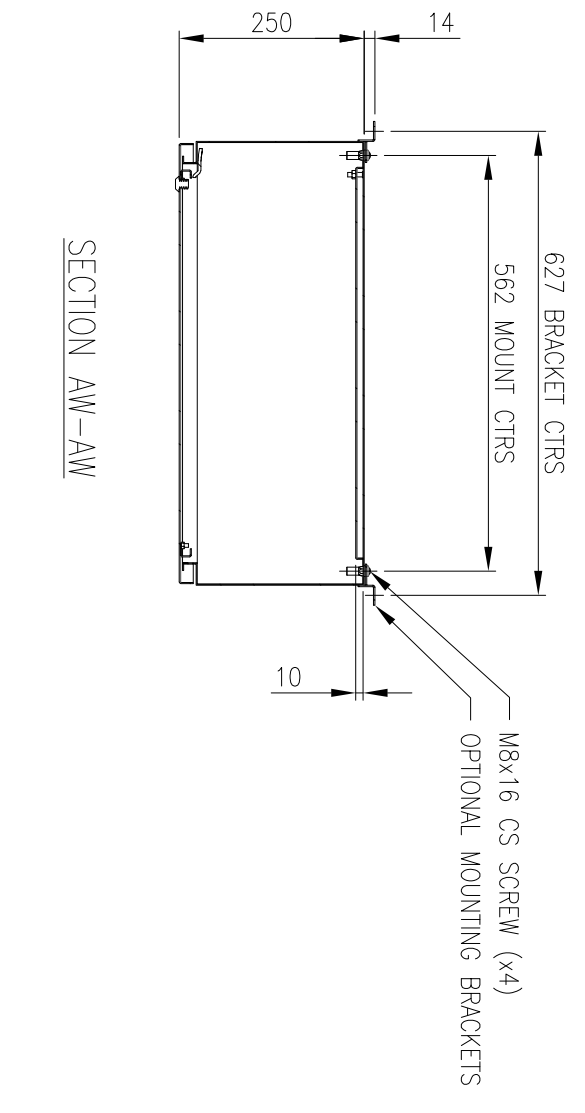


FRONT VIEW

SECTION AY-AY



INSIDE DOOR VIEW



SECTION AW-AW

MATERIAL
 BODY: 1.5mm 316 STAINLESS STEEL
 DOOR: 1.5mm 316 STAINLESS STEEL
 DEVICE PLATE: 1.5mm GALV STEEL
 SEAL: POLYURETHANE

MASS: 28.0kg

PROTECTION: IP66 IK10, NEMA4x
STANDARD: IEC/EN/AS62208, IEC/EN/AS60529

DEVICE MOUNTING PLATE

© IP ENCLOSURES 2016.
 THIS DRAWING SHALL NOT BE COPIED OR REPRODUCED
 WITHOUT AUTHORISATION FROM IP ENCLOSURES.
 www.ipenclosures.com.au

| Item# | Quantity | TradeName, designation, material, dimension etc. | Article No./Reference | Scale |
|-------|----------|--|-----------------------------|-------|
| IP | | Designed by IP | Filename IP-SS906025-01 | 1:10 |
| | | Checked by IP | Date 17/10/16 | |
| | | Approved by - date 17/10/16 | 800x600x250 316SS ENCLOSURE | |
| | | | IP-SS906025-01 | 1/1 |

