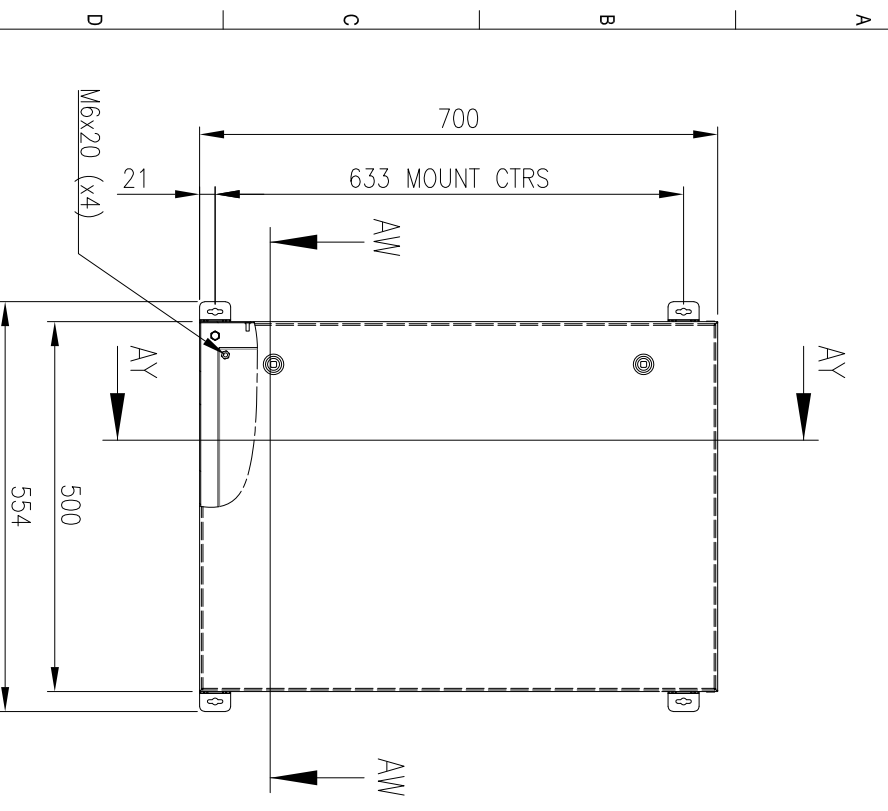
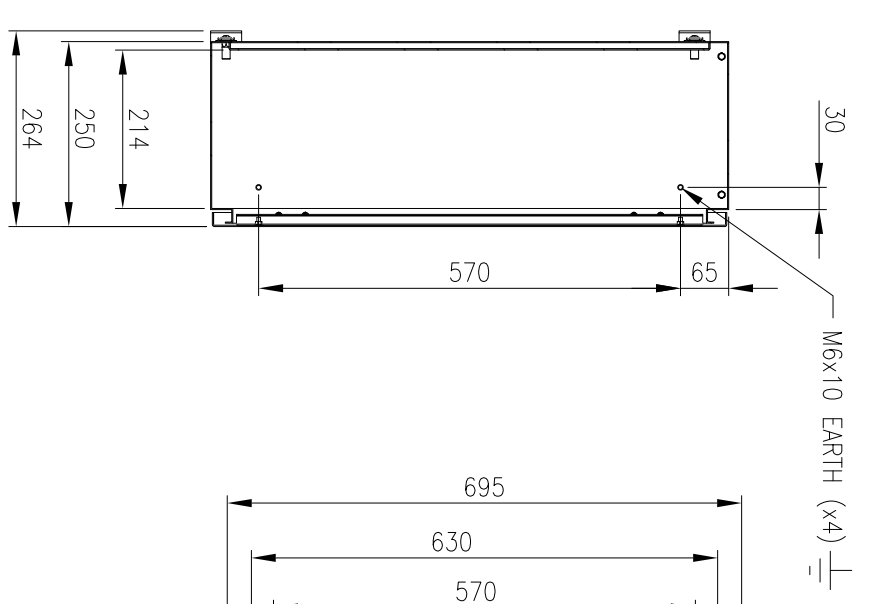


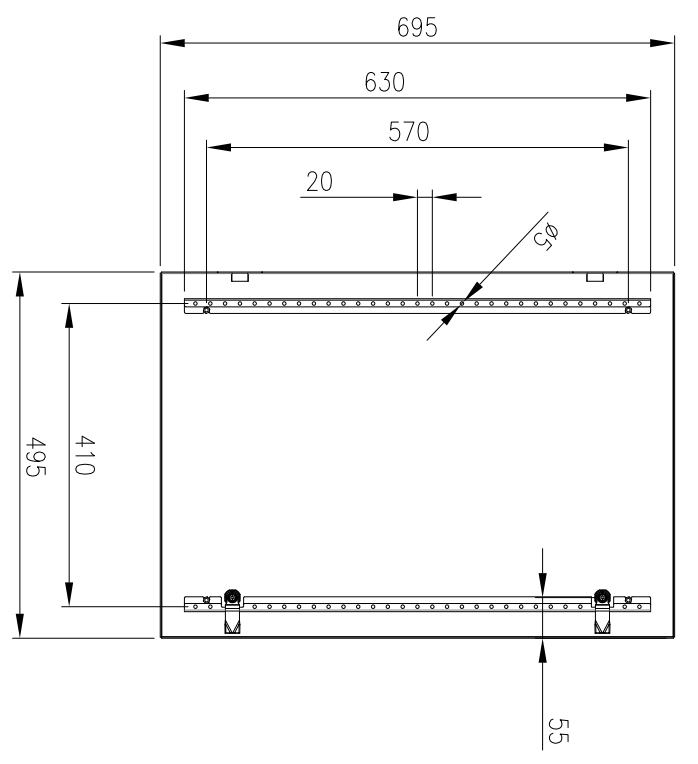
RevNo	Revision note	Date	Signature	Checked
3	GENERAL REVISION	29/6/22	IP	IP



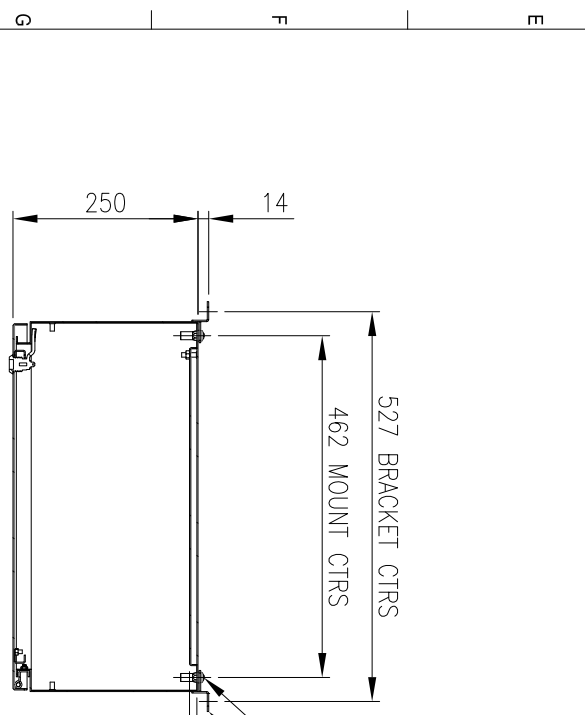
FRONT VIEW



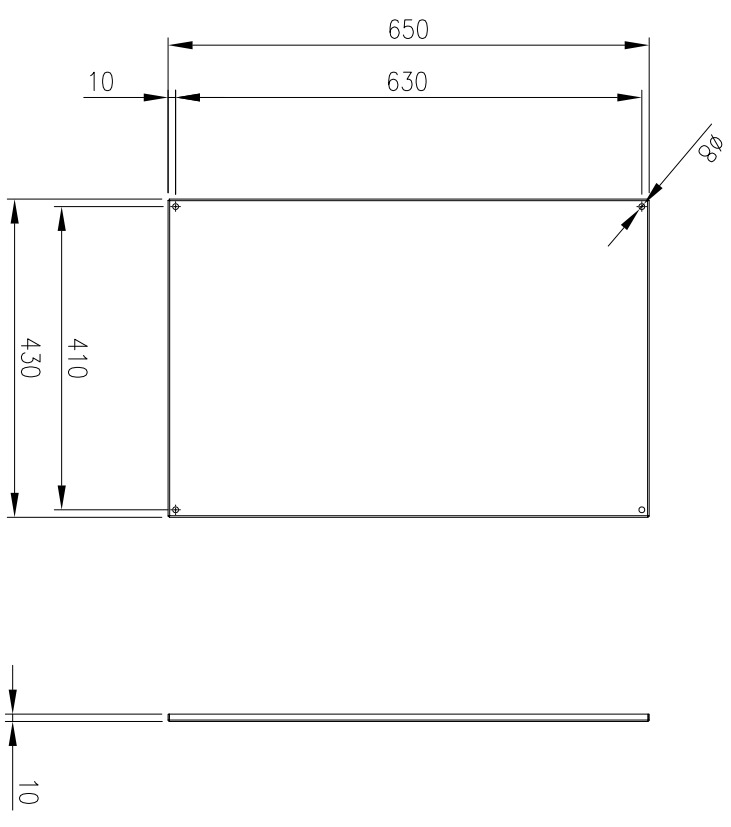
SECTION AY-AY



INSIDE DOOR VIEW



SECTION AW-AW



DEVICE MOUNTING PLATE

**MATERIAL**  
 BODY: 1.5mm 316 STAINLESS STEEL  
 DOOR: 1.5mm 316 STAINLESS STEEL  
 DEVICE PLATE: 1.5mm GALV STEEL  
 SEAL: POLYURETHANE  
 MASS: 22.0kg

PROTECTION: IP66 IK10, NEMA4x  
 STANDARD: IEC62208, IEC/EN/AS60529

© IP ENCLOSURES 2016.  
 THIS DRAWING SHALL NOT BE COPIED OR REPRODUCED  
 WITHOUT AUTHORISATION FROM IP ENCLOSURES.  
 www.ipenclosures.com.au

Item	Quantity	Part/Name, designation, material, dimension etc.	Article No./Reference	Scale
IP Enclosures				1:10
Designed by	Checked by	Approved by - date	Filename	Date
IP	IP	17/10/16	IP-SS709025-01	17/10/16
			700X500X250 316SS ENCLOSURE	
			IP-SS709025-01	
			Edition	Sheet
			3	1/1