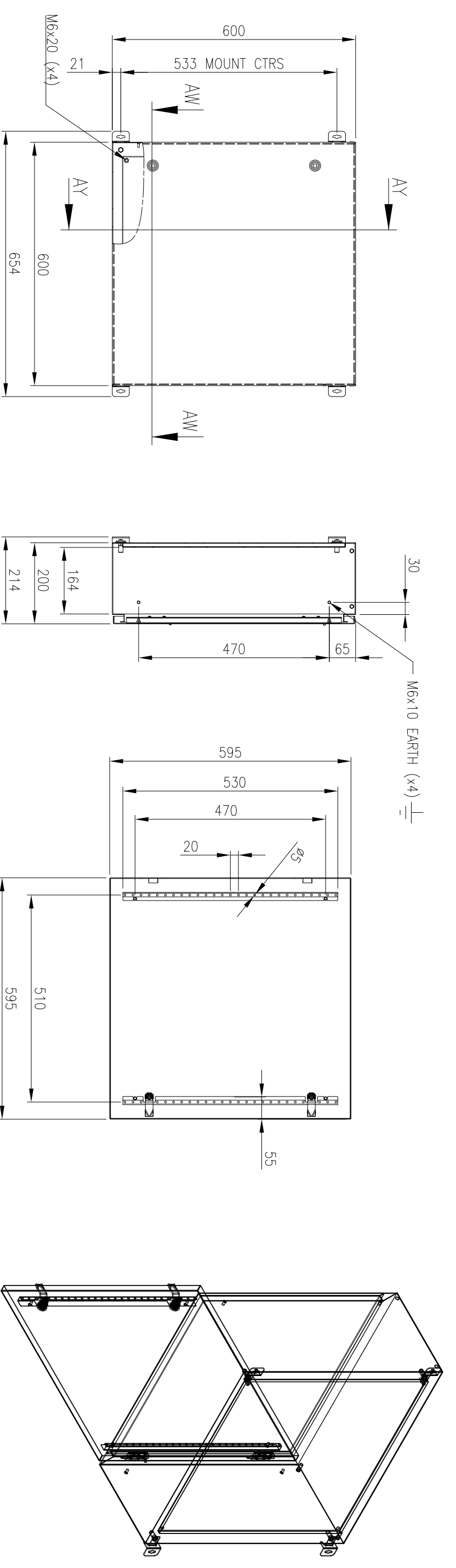


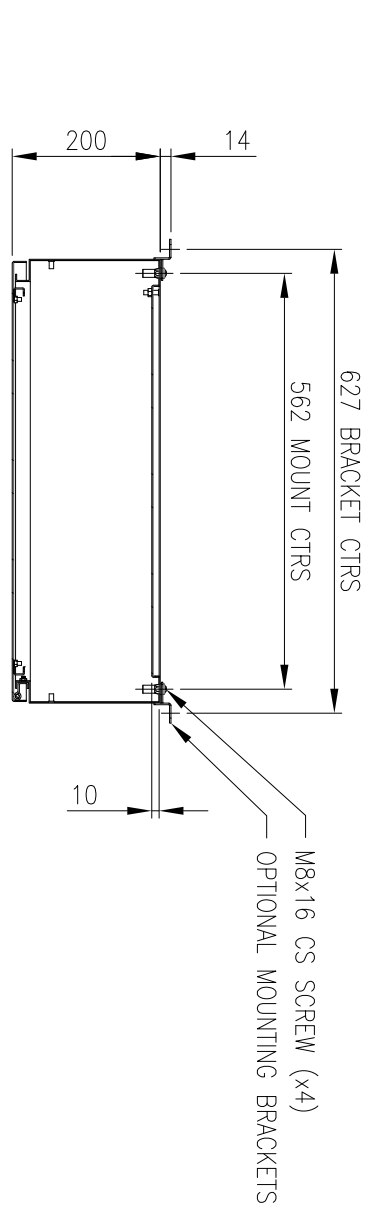
RevNo	Revision note	Date	Signature	Checked
3	GENERAL REVISION	9/7/19	IP	IP



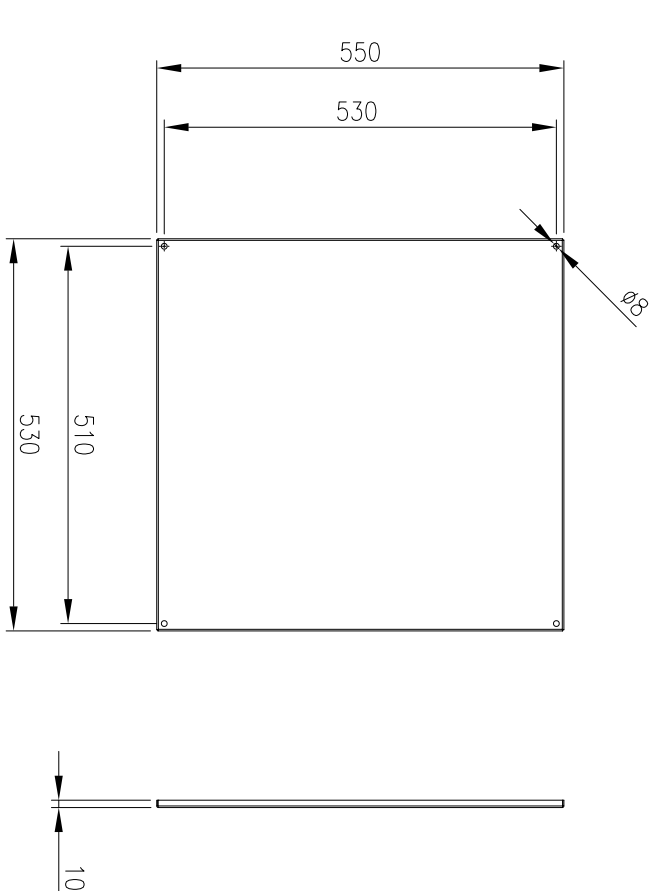
FRONT VIEW

SECTION AY-AY

INSIDE DOOR VIEW



SECTION AW-AW



DEVICE MOUNTING PLATE

MATERIAL
 BODY: 1.5mm 316 STAINLESS STEEL
 DOOR: 1.5mm 316 STAINLESS STEEL
 DEVICE PLATE: 1.5mm GALV STEEL
 SEAL: POLYURETHANE

MASS: 22kg

PROTECTION: IP66 IK10, NEMA4x
 STANDARD: IEC62208, IEC/EN/AS60529

© IP ENCLOSURES 2016.
 THIS DRAWING SHALL NOT BE COPIED OR REPRODUCED
 WITHOUT AUTHORISATION FROM IP ENCLOSURES.
 www.ipenclosures.com.au

Item#	Quantity	TradeName, designation, material, dimension etc.	Article No./Reference	Scale
IP		Designed by IP	File name IP-SS60020-01	1:10
		Checked by IP	Date 17/10/16	
		Approved by - date 17/10/16		
			600x600x200 316SS ENCLOSURE	
			IP-SS60020-01	
			Edition 3	Sheet 1/1

