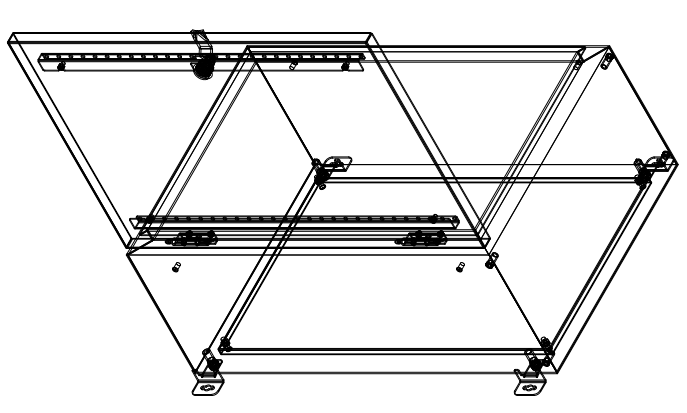
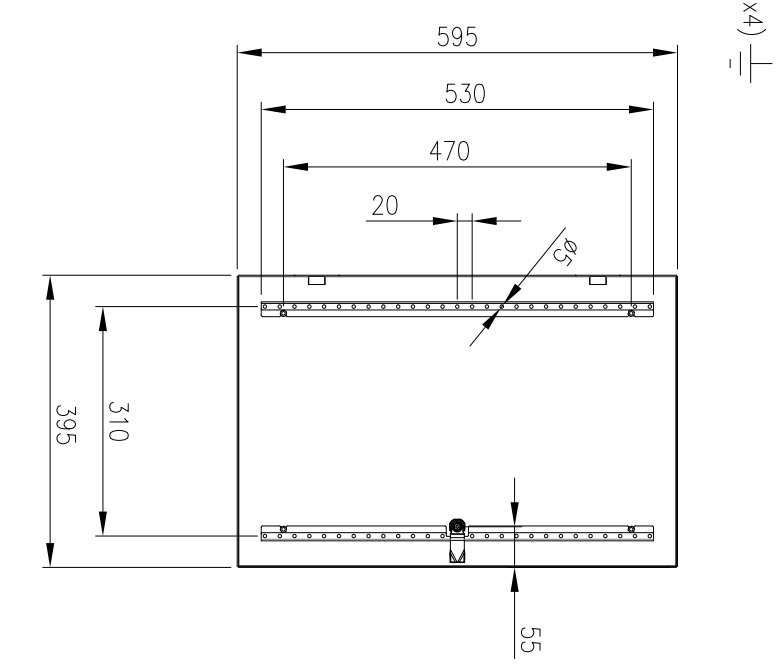
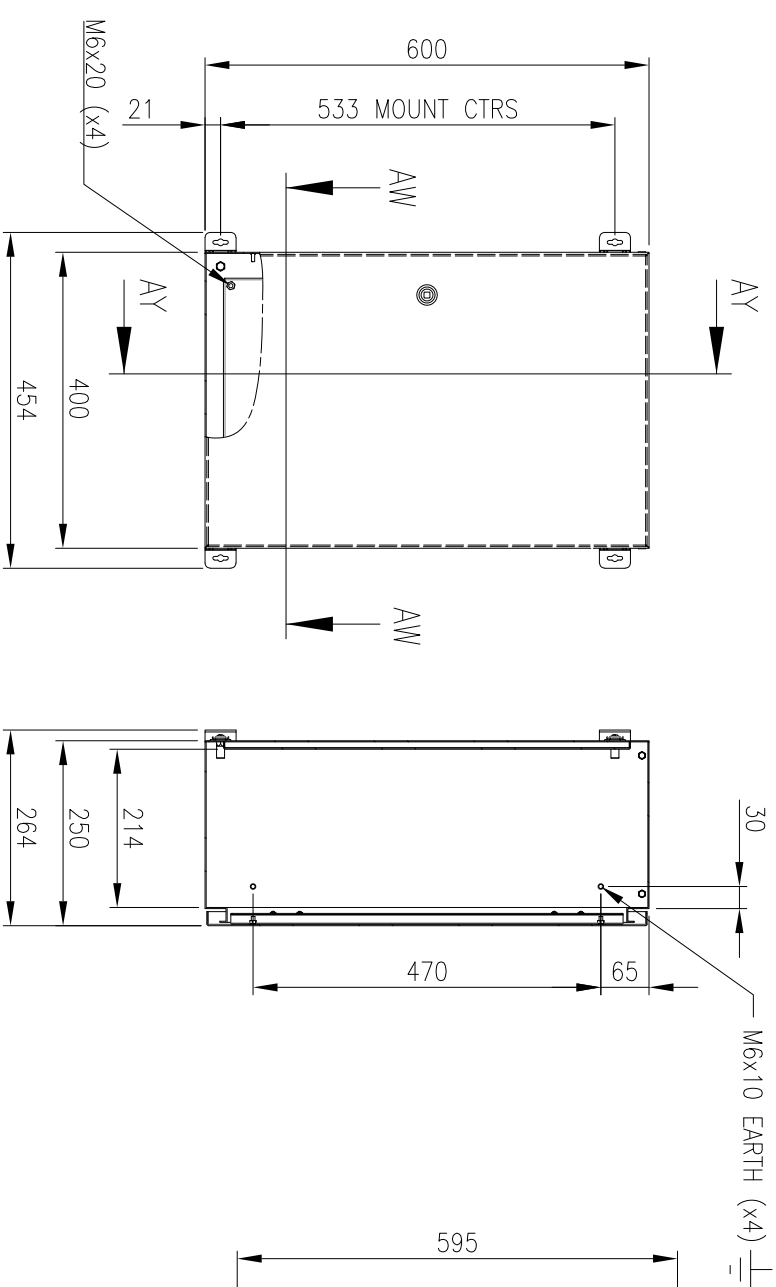


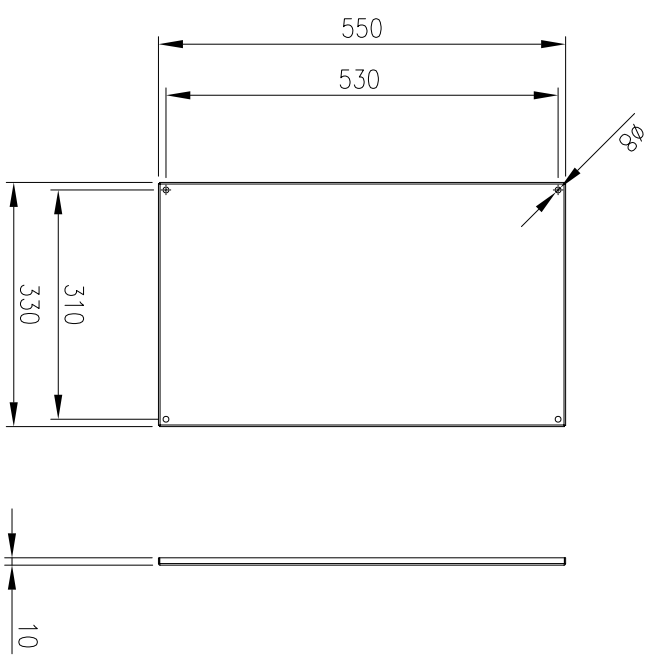
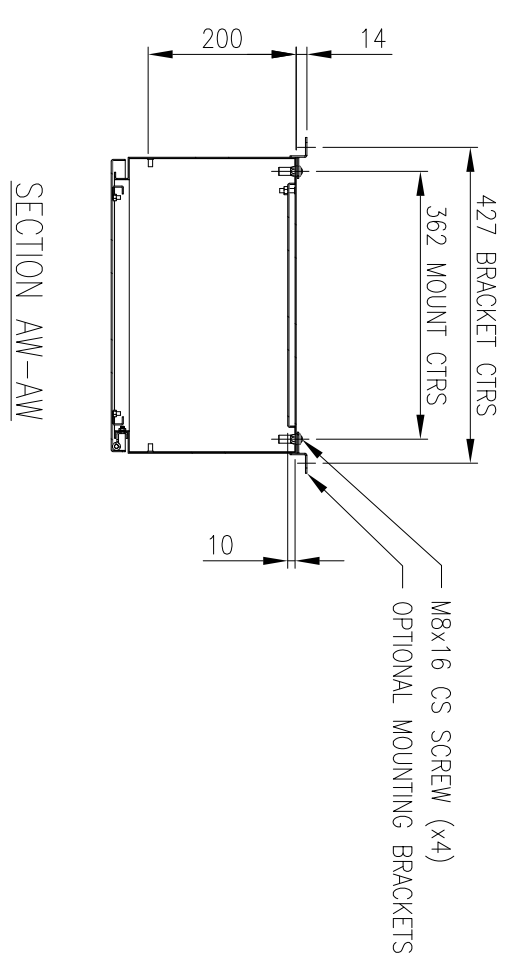
| RevNo | Revision note | Date | Signature | Checked |
|-------|------------------|--------|-----------|---------|
| 1 | GENERAL REVISION | 9/8/17 | IP | IP |



FRONT VIEW

SECTION AY-AY

INSIDE DOOR VIEW



DEVICE MOUNTING PLATE

MATERIAL
 BODY: 1.5mm 316 STAINLESS STEEL
 DOOR: 1.5mm 316 STAINLESS STEEL
 DEVICE PLATE: 1.5mm GALV STEEL
 SEAL: POLYURETHANE

MASS: 16.2kg

PROTECTION: IP66 IK10, NEMA4x
 STANDARD: IEC/EN/AS62208, IEC/EN/AS60529

© IP ENCLOSURES 2016.
 THIS DRAWING SHALL NOT BE COPIED OR REPRODUCED
 WITHOUT AUTHORISATION FROM IP ENCLOSURES.
 www.ipenclosures.com.au

| Item | Quantity | TradeName, designation, material, dimension etc. | Article No./Reference | Scale |
|---------------|------------|--|-----------------------------|----------|
| IP Enclosures | | | | 1:10 |
| Designed by | Checked by | Approved by - date | Filename | Date |
| IP | IP | 17/10/16 | IP-SS604025-01 | 17/10/16 |
| | | | 600X400X250 316SS ENCLOSURE | |
| | | | IP-SS604025-01 | 1/1 |