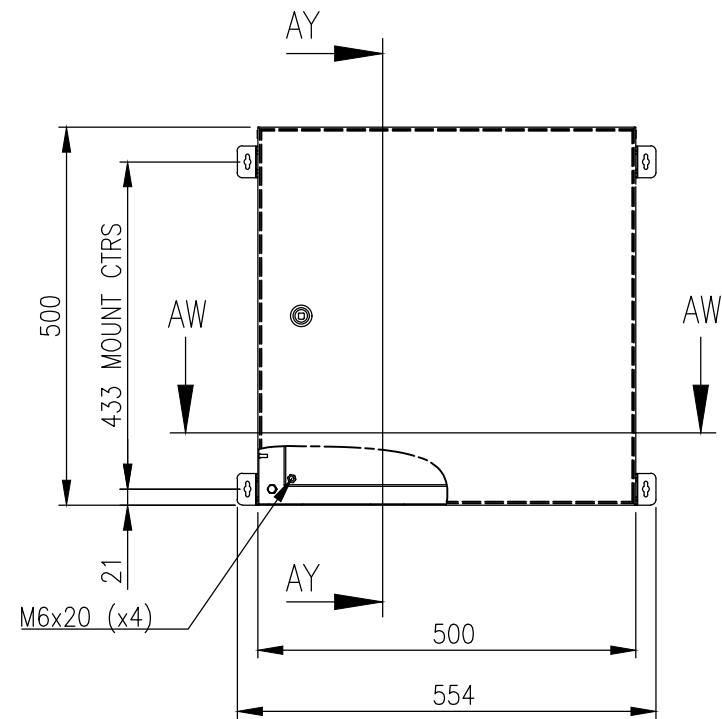
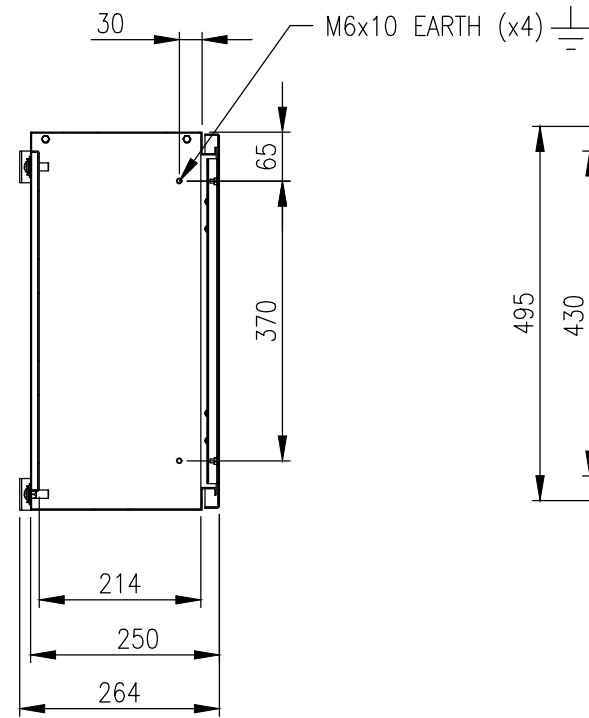


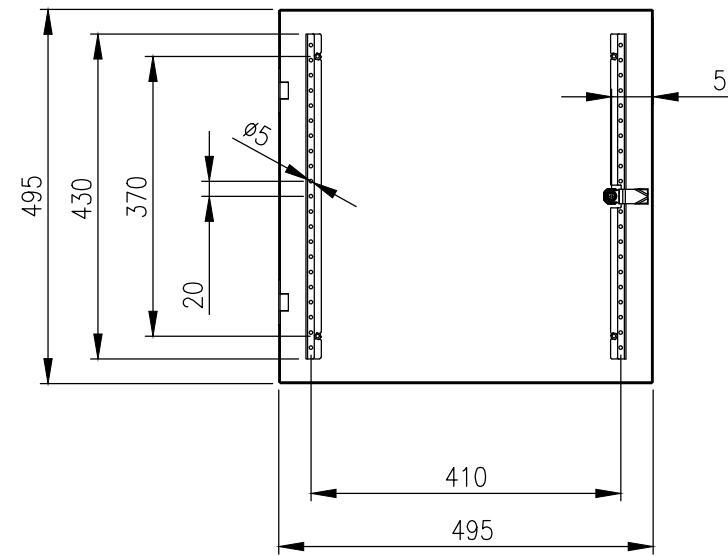
RevNo	Revision note	Date	Signature	Checked
3	GENERAL REVISION	31/03/25	IP	IP



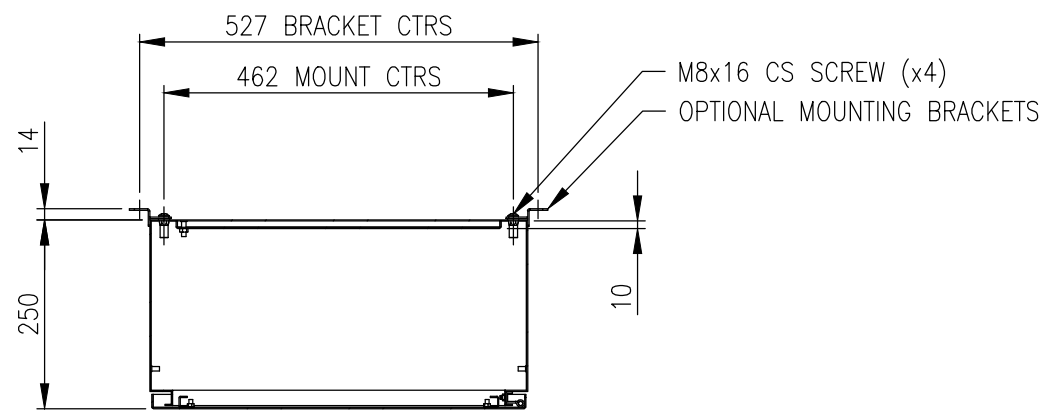
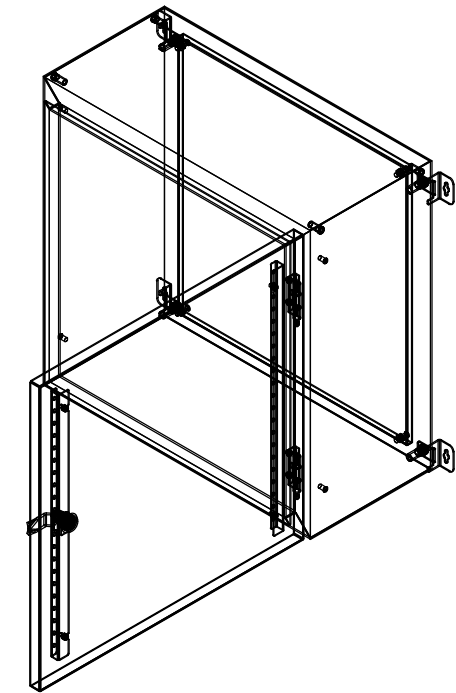
FRONT VIEW



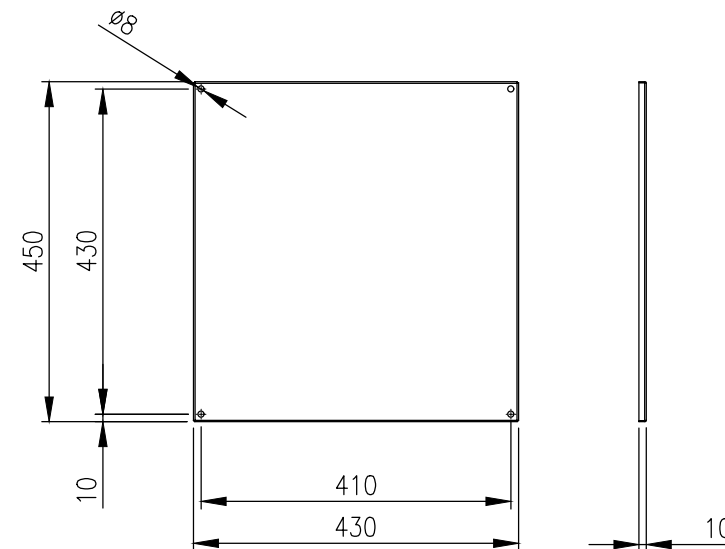
SECTION AY-AY



INSIDE DOOR VIEW



SECTION AW-AW



DEVICE MOUNTING PLATE

**MATERIAL**  
 BODY: 1.5mm GRADE 316L STAINLESS STEEL  
 DOOR: 1.5mm GRADE 316L STAINLESS STEEL  
 DEVICE PLATE: 1.5mm GALVANISED STEEL SHEET  
 SEAL: POLYURETHANE

**MASS:** 16.1Kg.

**PROTECTION:** IP66 IK10 (NEMA 4x)  
**STANDARD:** IEC/EN62208, IEC/EN/AS60529

© IP ENCLOSURES 2016.  
 THIS DRAWING SHALL NOT BE COPIED OR REPRODUCED  
 WITHOUT AUTHORISATION FROM IP ENCLOSURES.  
 www.ipenclosures.com.au

**IMPORTANT NOTE:**

WALL MOUNTING BRACKETS ARE NOT INCLUDED  
 AND MUST BE ORDERED SEPARATELY.

Itemref	Quantity	Title/Name, designation, material, dimension etc	Article No./Reference
Designed by IP	Checked by IP	Approved by - date 17/10/16	Filename IP-SS505025
Date 17/10/16		Date 17/10/16	Scale 1:10
Edition 3		Sheet 1/1	



500x500x250 316SS ENCLOSURE

IP-SS505025