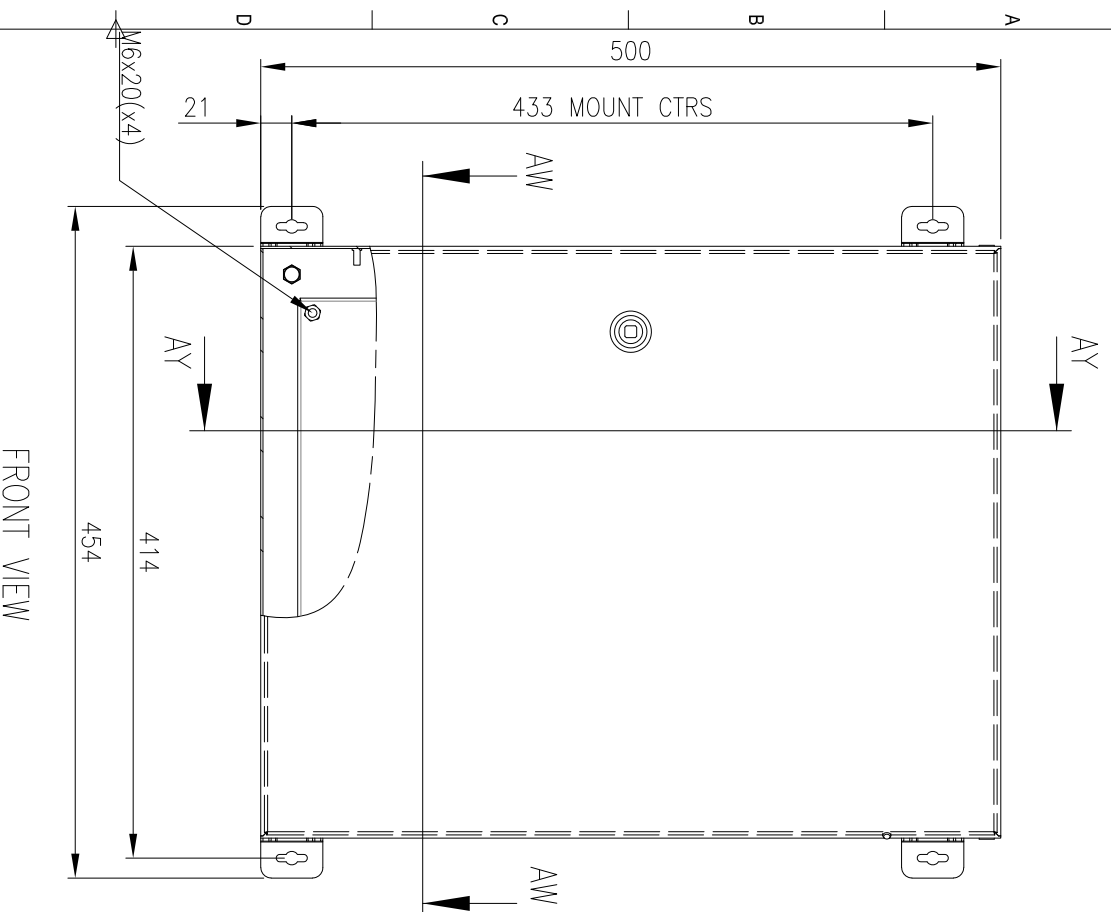
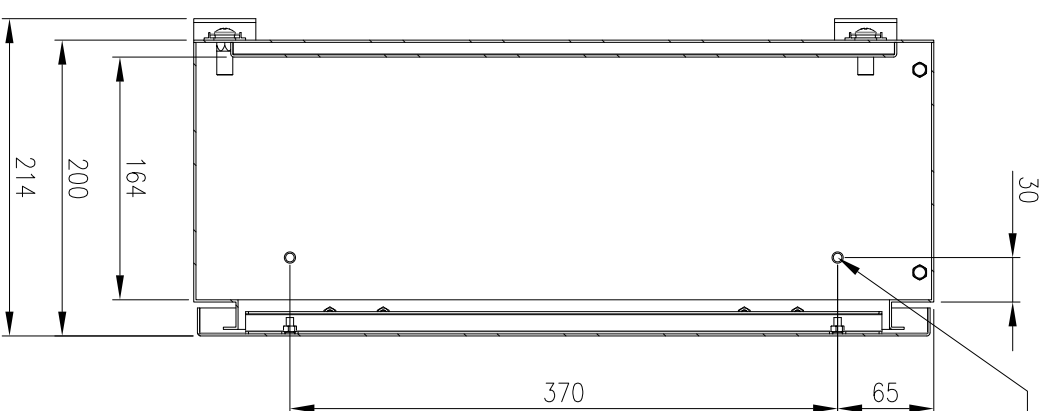


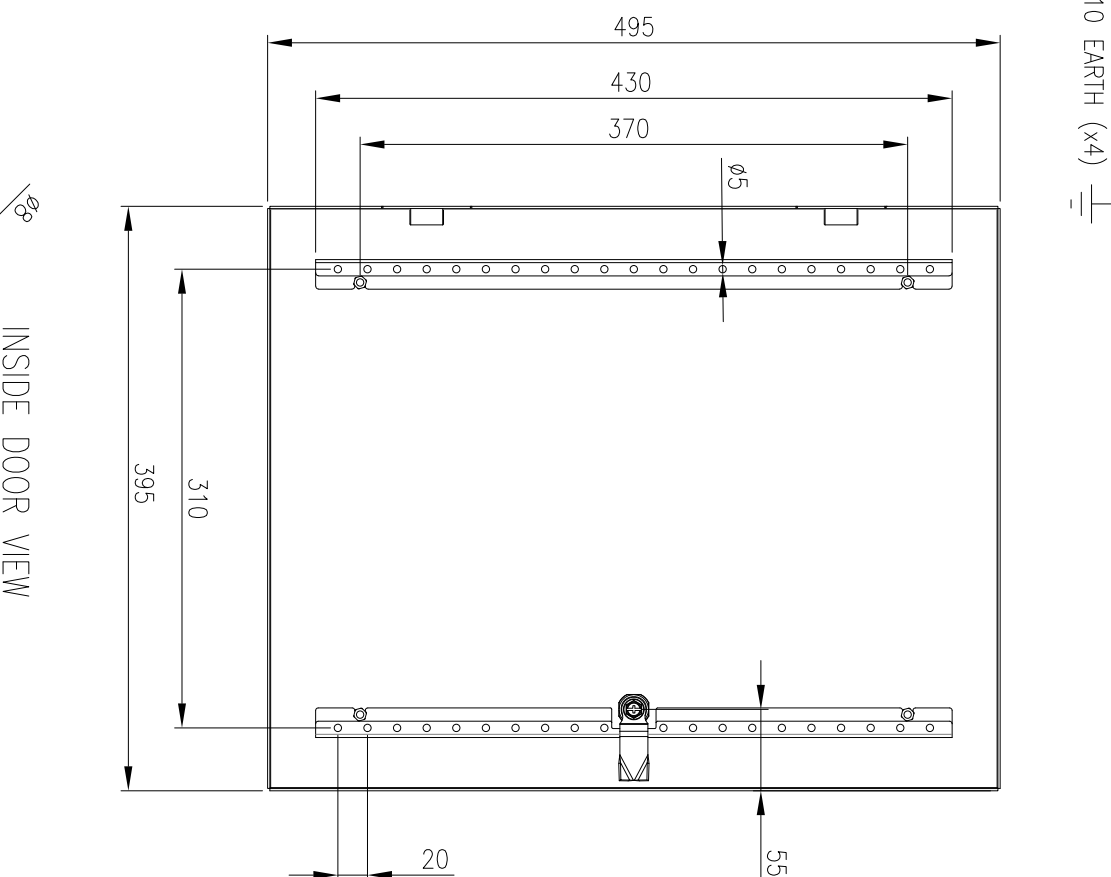
RevNo	Revision note	Date	Signature	Checked
1	GENERAL REVISION	9/8/17	IP	IP



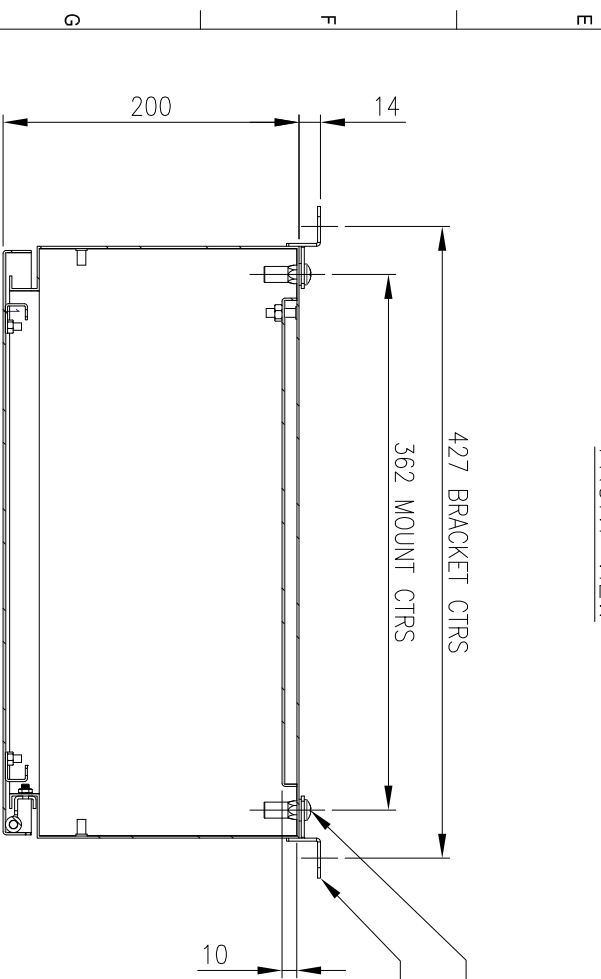
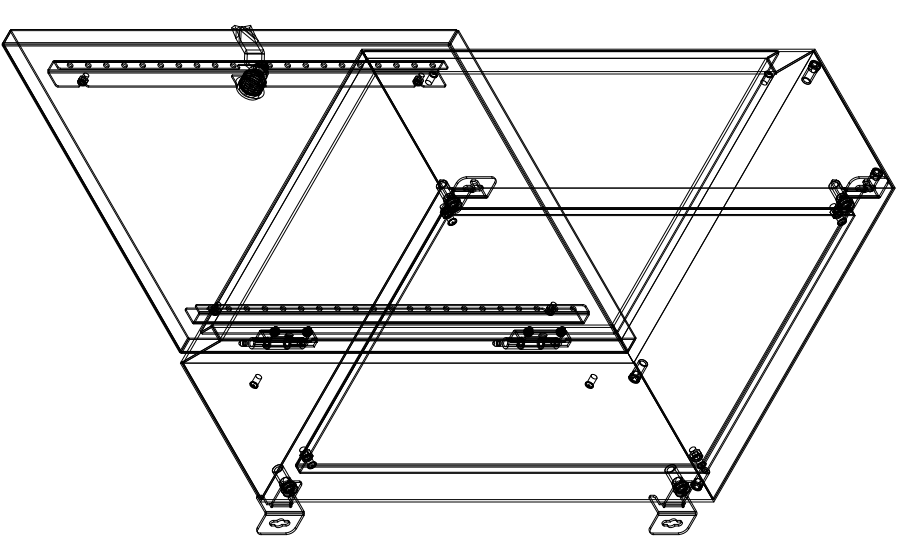
FRONT VIEW



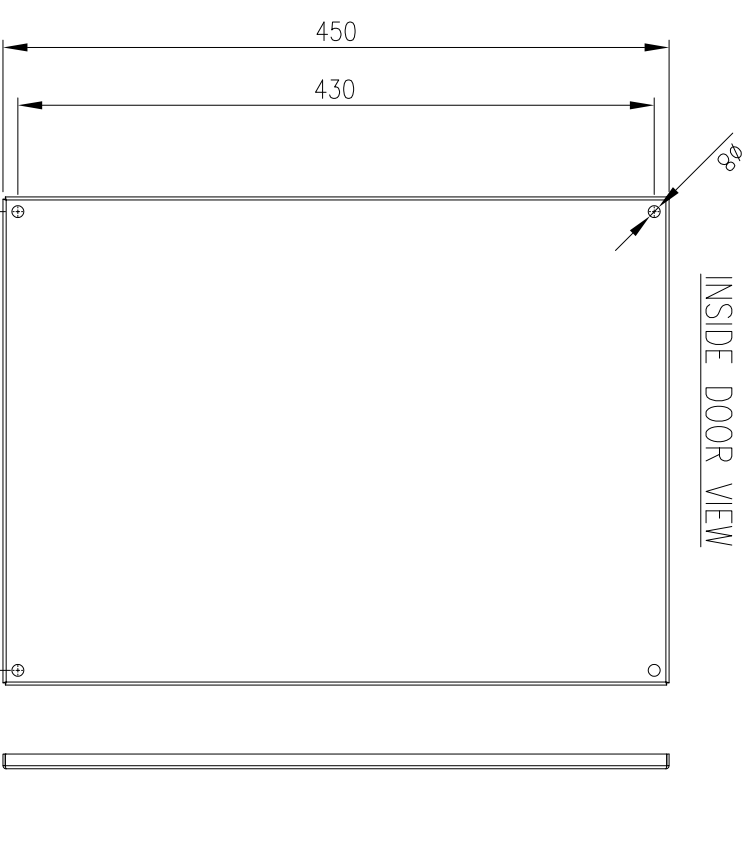
SECTION AV-AV



INSIDE DOOR VIEW



SECTION AW-AW



DEVICE MOUNTING PLATE

MATERIAL
 BODY: 1.5mm 316 STAINLESS STEEL
 DOOR: 1.5mm 316 STAINLESS STEEL
 DEVICE PLATE: 1.5mm GALV STEEL
 SEAL: POLYURETHANE

MASS: 12.9kg

PROTECTION: IP66 IK10, NEMA4x
 STANDARD: IEC/EN/AS62208, IEC/EN/AS60529

© IP ENCLOSURES 2016.
 THIS DRAWING SHALL NOT BE COPIED OR REPRODUCED
 WITHOUT AUTHORISATION FROM IP ENCLOSURES.
 www.ipenclosures.com.au

Item#	Quantity	TradeName, designation, material, dimension etc.	File name	Article No./Reference	Scale
IP	1	IP-SS90420-01	IP-SS90420-01	17/10/16	1:5
IP	1	IP-SS90420-01	IP-SS90420-01	17/10/16	1:5
IP	1	IP-SS90420-01	IP-SS90420-01	17/10/16	1:5

IP Enclosures

500X400X200 316SS ENCLOSURE
 IP-SS90420-01

1 2 3 4 5 6 7 8 9 10 11 12 13 14 15 16