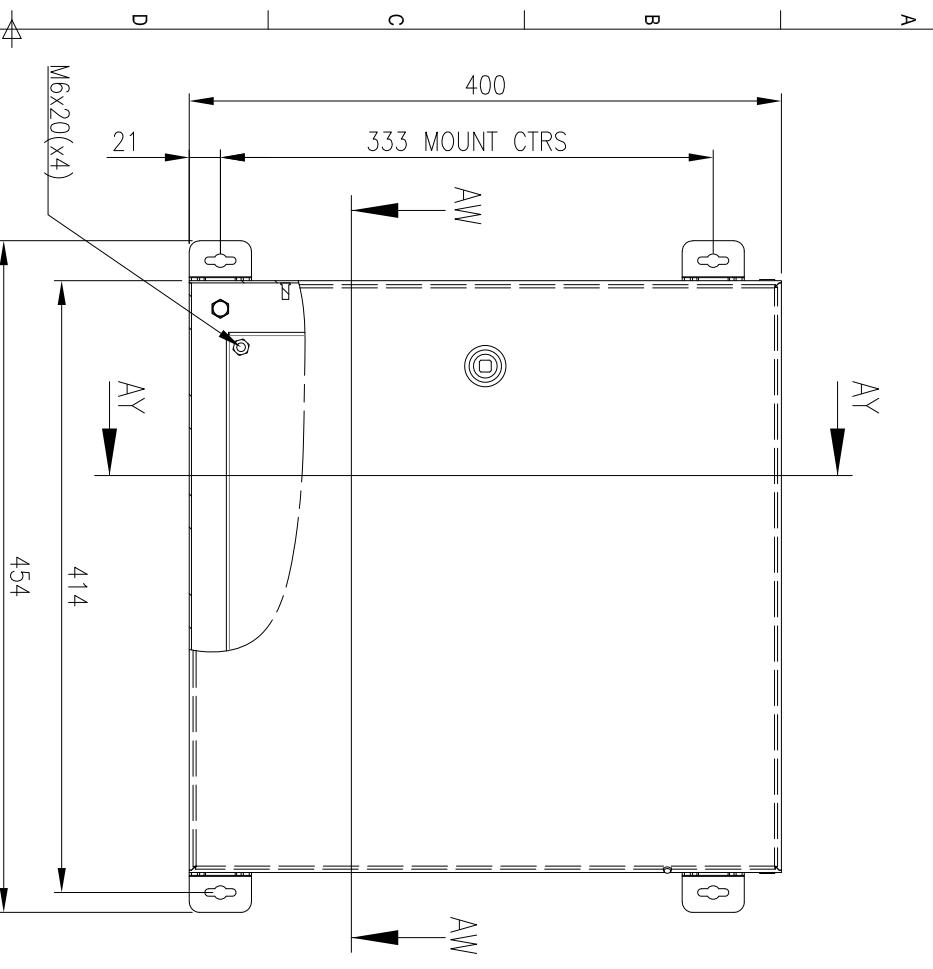
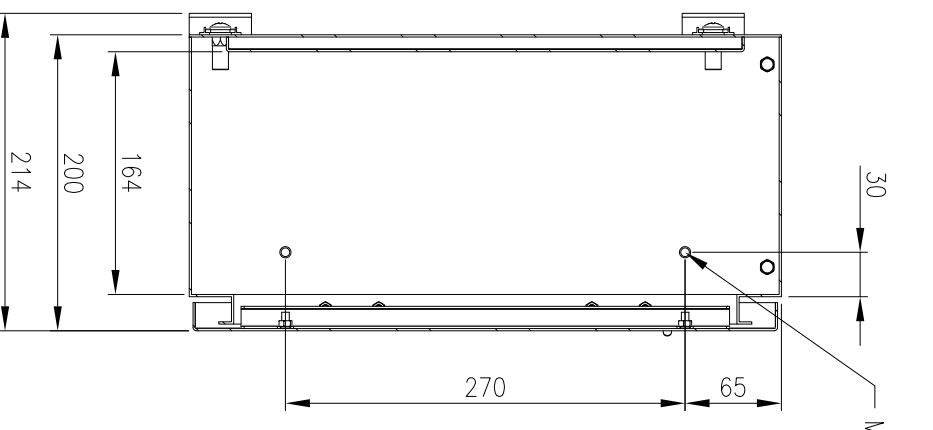


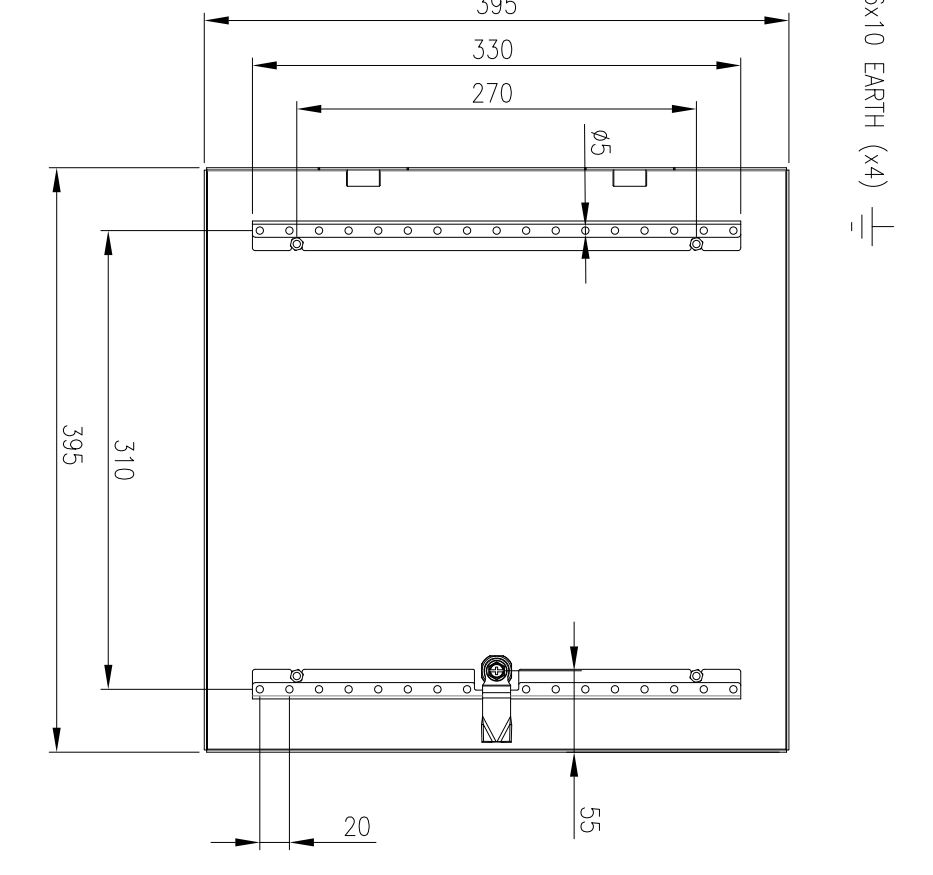
RevNo	Revision note	Date	Signature	Checked
2	GENERAL REVISION	9/7/19	IP	IP



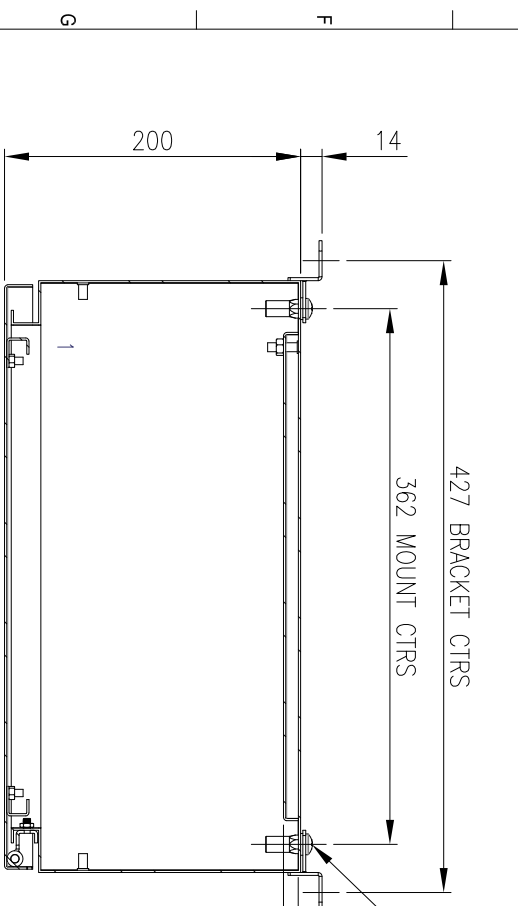
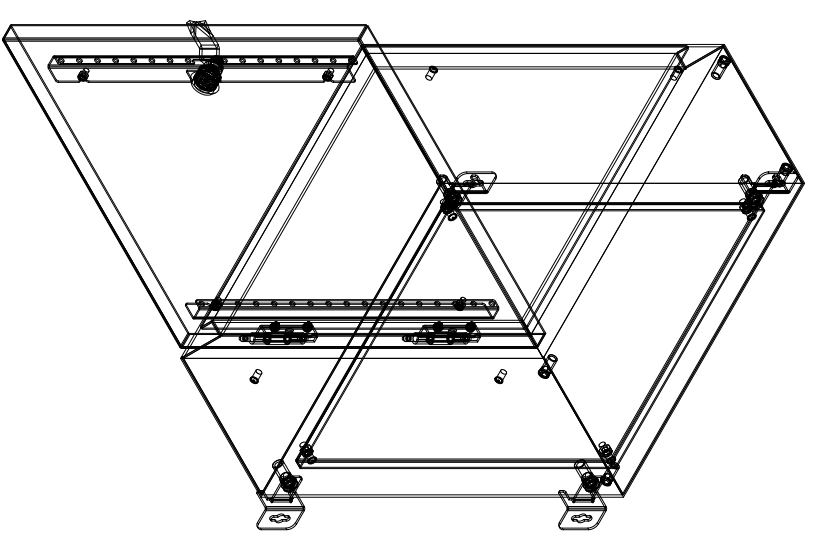
FRONT VIEW



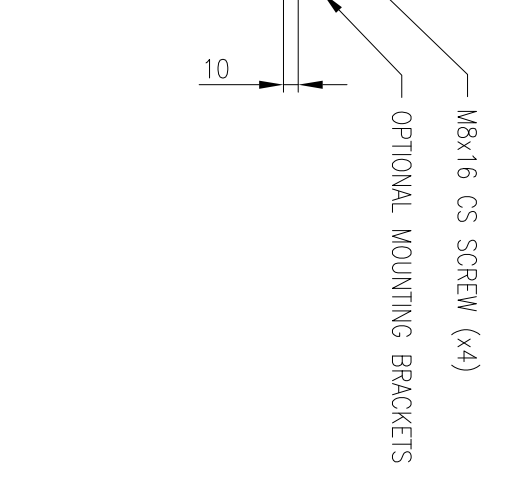
SECTION AV-AV



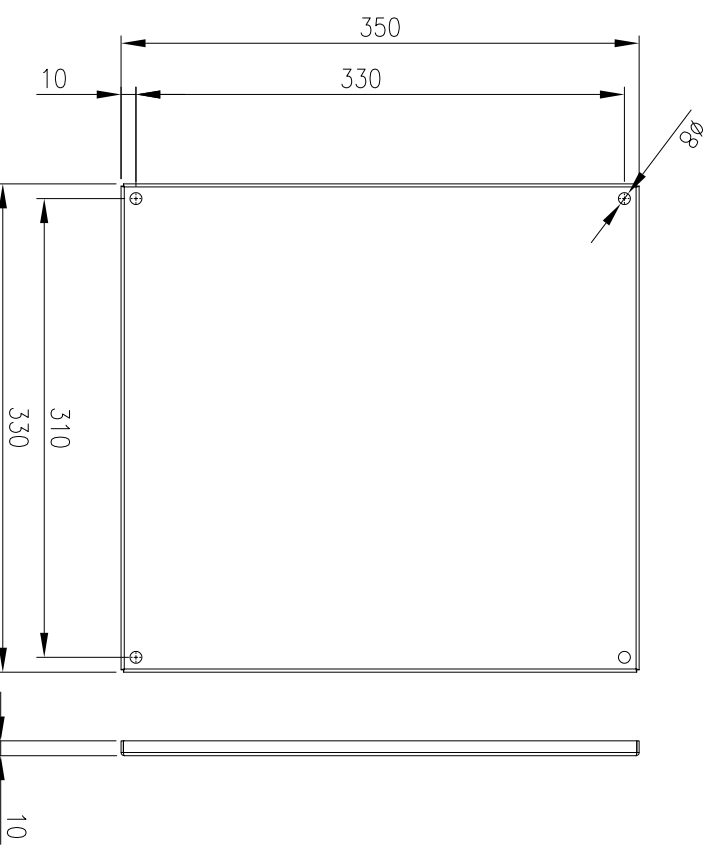
INSIDE DOOR VIEW



SECTION AW-AW



SECTION AV-AV



DEVICE MOUNTING PLATE

MATERIAL
 BODY: 1.5mm 316 STAINLESS STEEL
 DOOR: 1.5mm 316 STAINLESS STEEL
 DEVICE PLATE: 1.5mm GALV STEEL
 SEAL: POLYURETHANE
 MASS: 10.6kg
 PROTECTION: IP66 IK10, NEMA4x
 STANDARD: IEC62208, IEC/EN/AS60529

© IP ENCLOSURES 2016.
 THIS DRAWING SHALL NOT BE COPIED OR REPRODUCED
 WITHOUT AUTHORIZATION FROM IP ENCLOSURES.
 www.ipenclosures.com.au

Item#	Quantity	Thickness, designation, material, dimension etc.	Part No./Reference	Scale
IP			IP-SS404020-01	1:5
IP Enclosures 400x400x200 316SS ENCLOSURE IP-SS404020-01				1/1