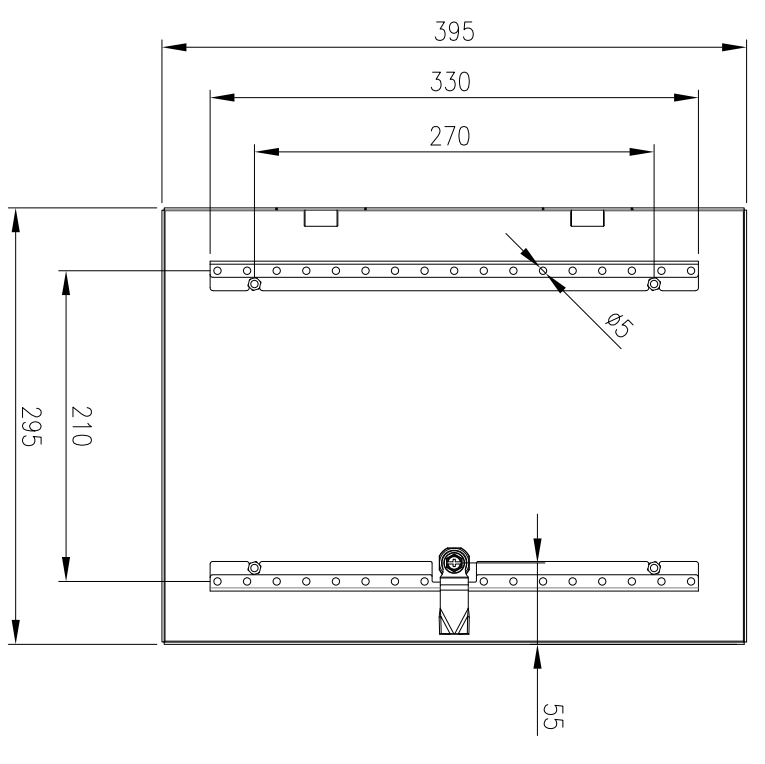
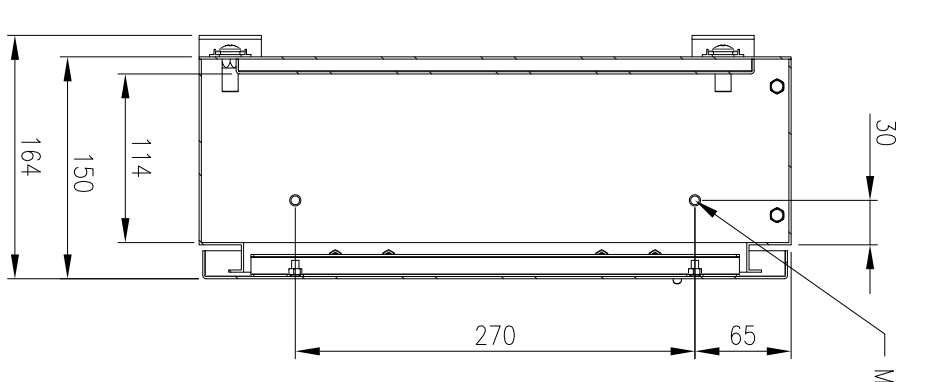
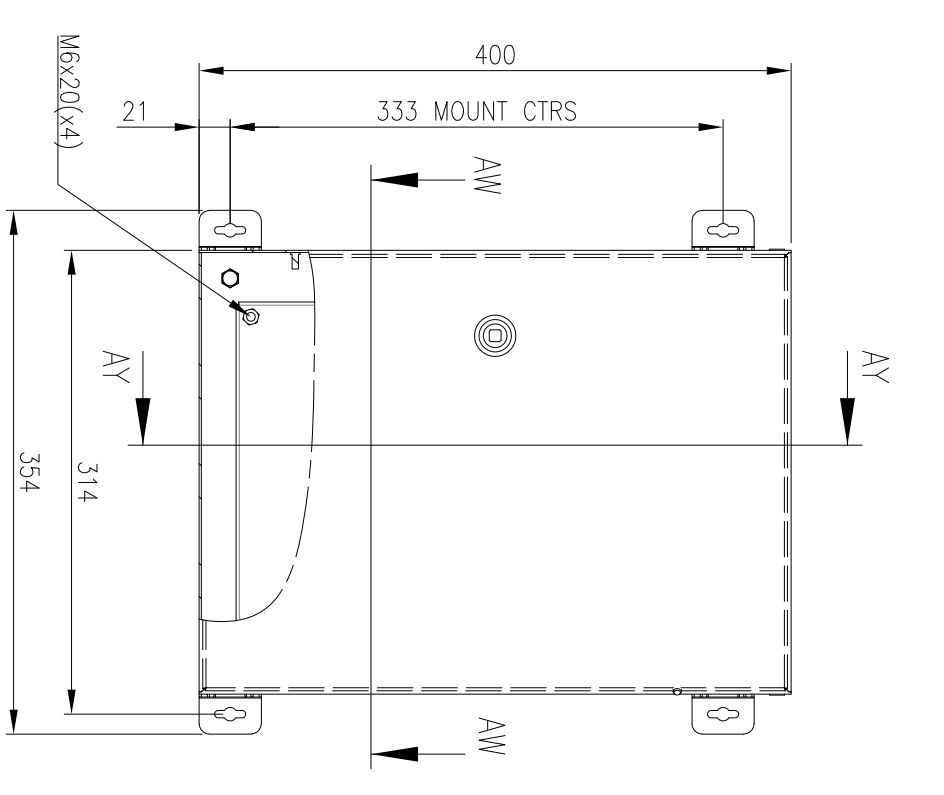


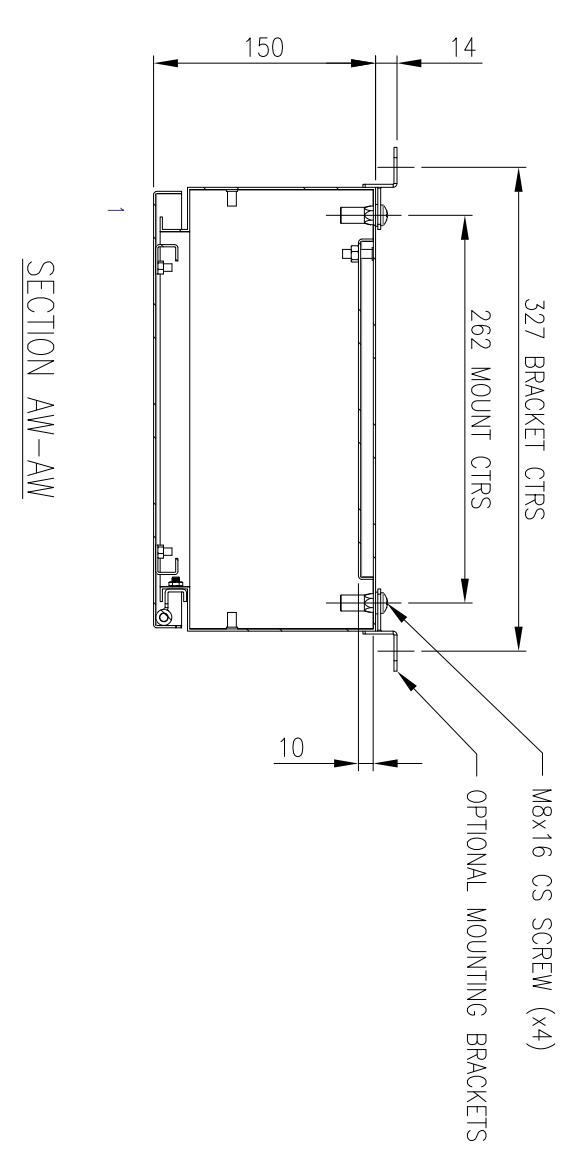
RevNo	Revision note	Date	Signature	Checked
1	GENERAL REVISION	9/8/17	IP	IP



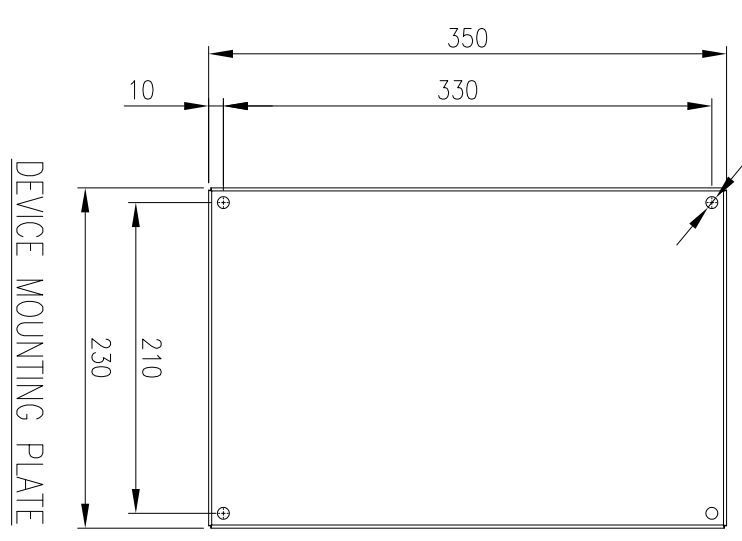
FRONT VIEW

SECTION AV-AV

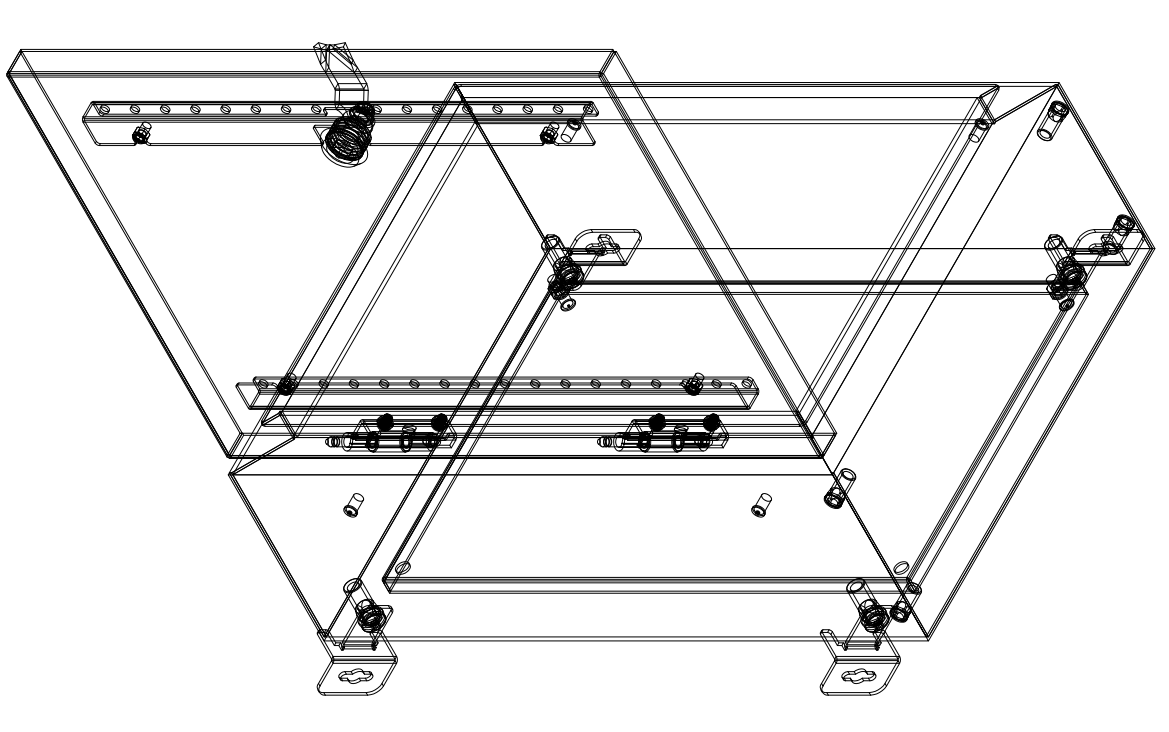
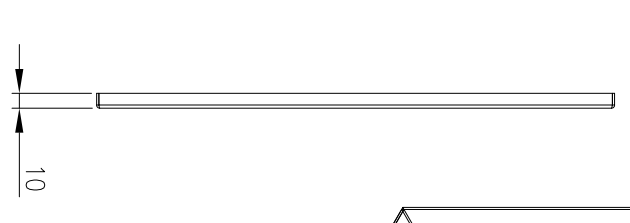
INSIDE DOOR VIEW



SECTION AW-AW



DEVICE MOUNTING PLATE



MATERIAL
 BODY: 1.5mm 316 STAINLESS STEEL
 DOOR: 1.5mm 316 STAINLESS STEEL
 DEVICE PLATE: 1.5mm GALV STEEL
 SEAL: POLYURETHANE

MASS: 7.8kg

PROTECTION: IP66 IK10, NEMA4x
 STANDARD: IEC/EN/AS62208, IEC/EN/AS60529

© IP ENCLOSURES 2016.
 THIS DRAWING SHALL NOT BE COPIED OR REPRODUCED
 WITHOUT AUTHORISATION FROM IP ENCLOSURES.
 www.ipenclosures.com.au

Item	Quantity	TradeName, designation, material, dimension etc.	Article No./Reference	Scale
IP Enclosures				1:5
Designed by	Checked by	Approved by - date	Filename	Date
IP	IP	17/10/16	IP-SS40015-01	17/10/16
			400x300x150 316SS ENCLOSURE	
			IP-SS403015-01	1/1