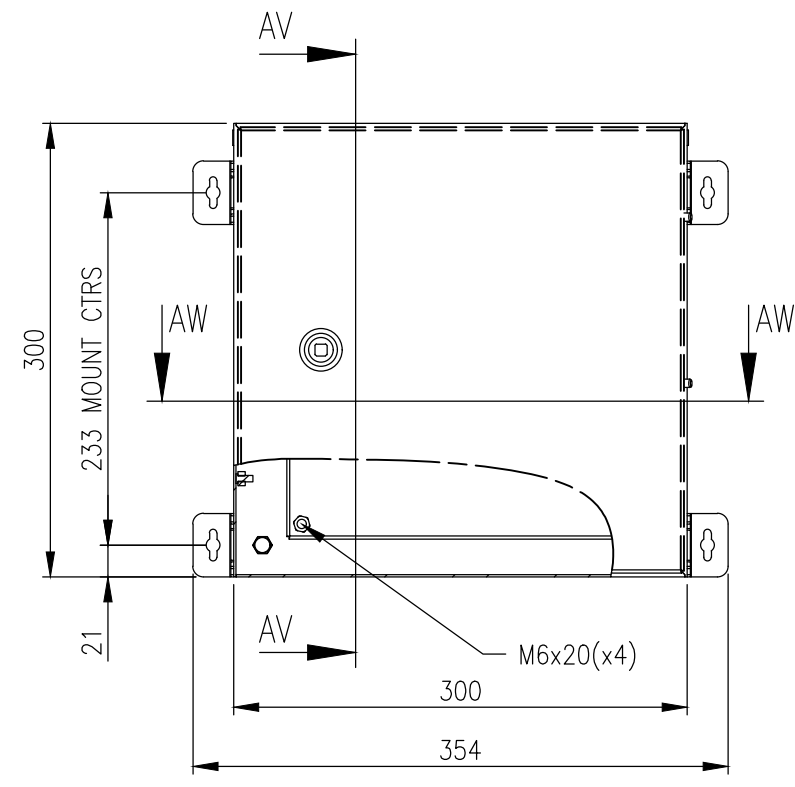
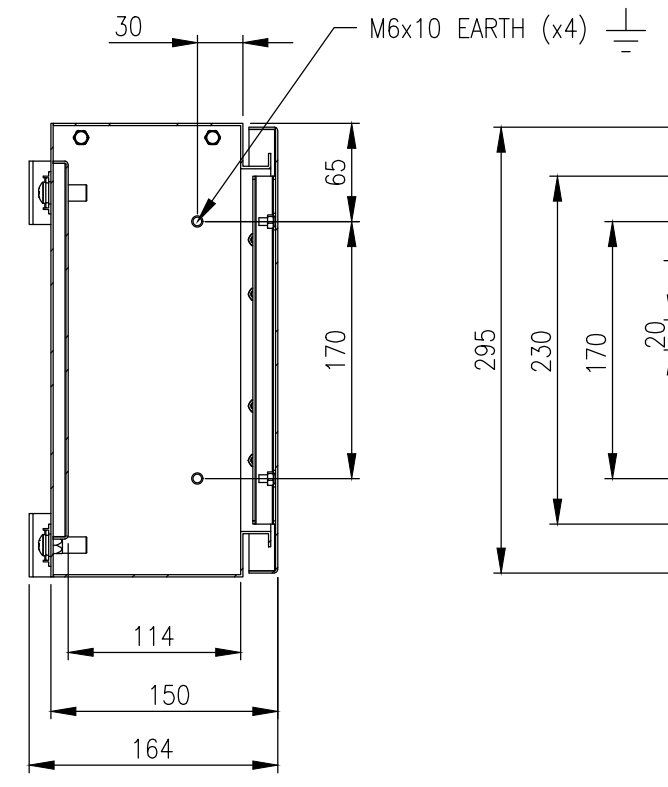


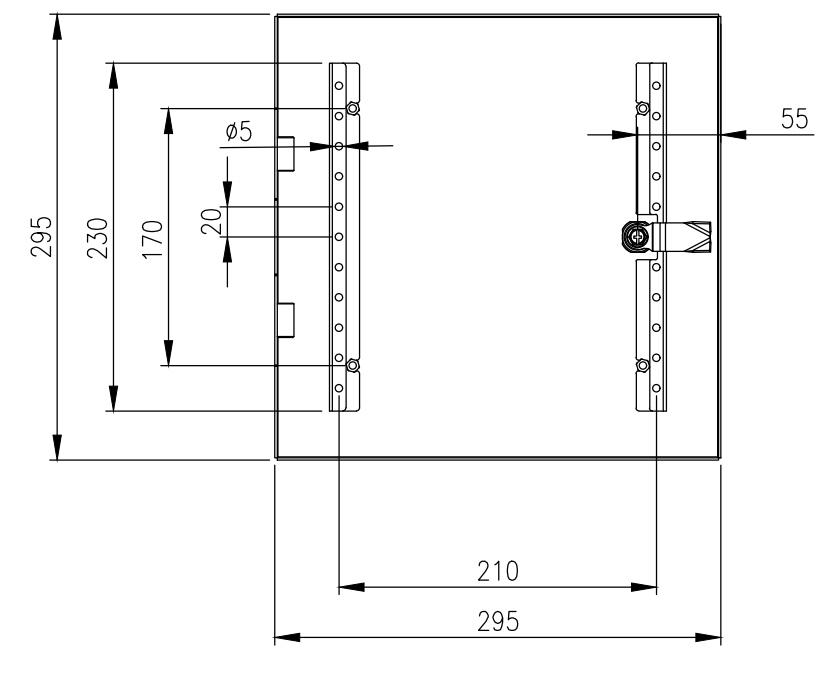
RevNo	Revision note	Date	Signature	Checked
3	GENERAL REVISION	27/03/25	IP	IP



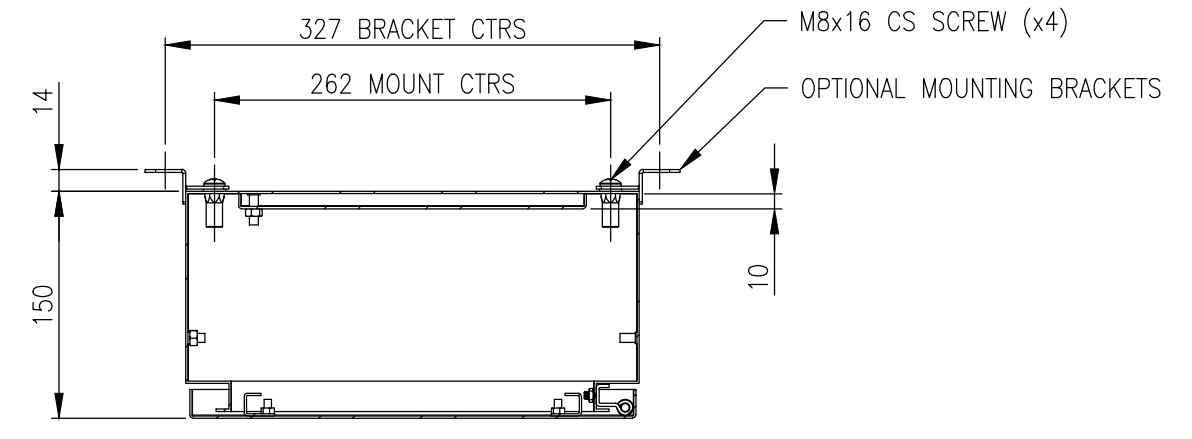
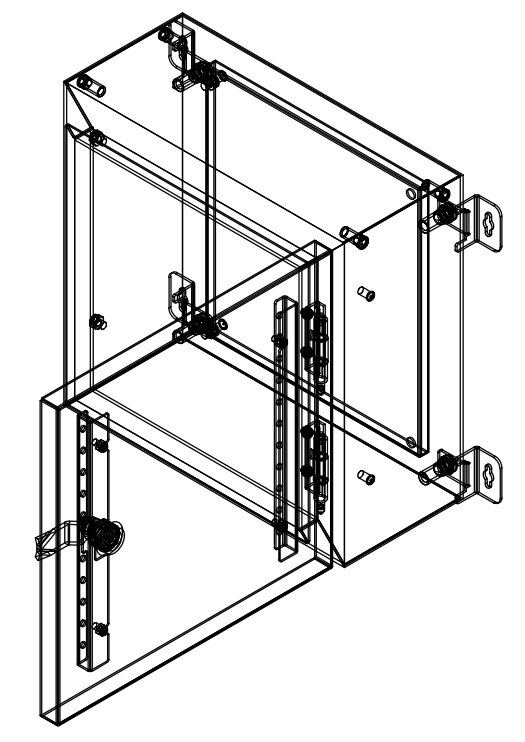
FRONT VIEW



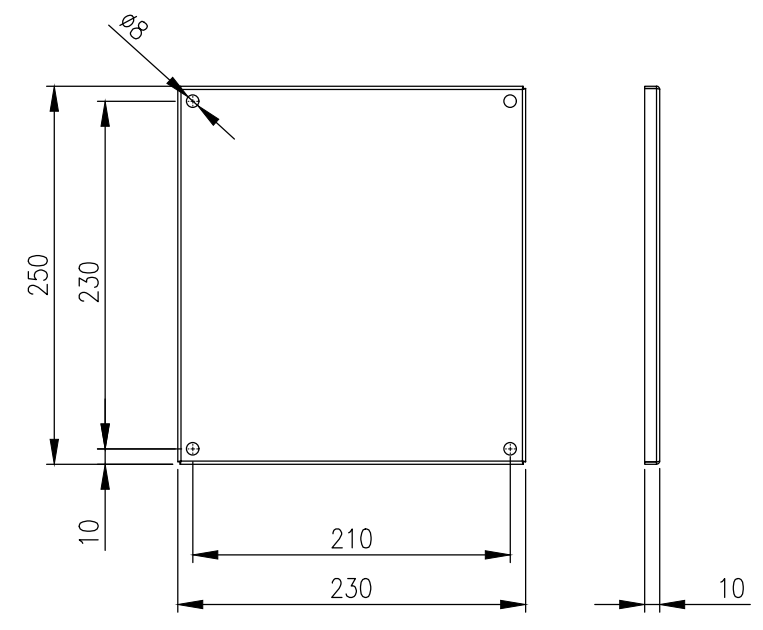
SECTION AV-AV



INSIDE DOOR VIEW



SECTION AW-AW



DEVICE MOUNTING PLATE

MATERIAL
 BODY: 1.5mm GRADE 316L STAINLESS STEEL
 DOOR: 1.5mm GRADE 316L STAINLESS STEEL
 DEVICE PLATE: 1.5mm GALVANISED STEEL SHEET
 SEAL: POLYURETHANE

MASS: 6.1Kg.

PROTECTION: IP66 IK10 (NEMA 4x)
STANDARD: IEC/EN62208, IEC/EN/AS60529

© IP ENCLOSURES 2016.
 THIS DRAWING SHALL NOT BE COPIED OR REPRODUCED
 WITHOUT AUTHORISATION FROM IP ENCLOSURES.
 www.ipenclosures.com.au

IMPORTANT NOTE:
 WALL MOUNTING BRACKETS ARE NOT INCLUDED
 AND MUST BE ORDERED SEPARATELY.

Itemref	Quantity	Title/Name, designation, material, dimension etc	Article No./Reference
IP	1	300x300x150 316SS ENCLOSURE	IP-SS303015
Designed by	Checked by	Approved by - date	Filename
IP	IP	17/10/16	IP-SS303015
Date	Scale	Edition	
17/10/16	1:5	3	Sheet
IP-SS303015		3	1/1