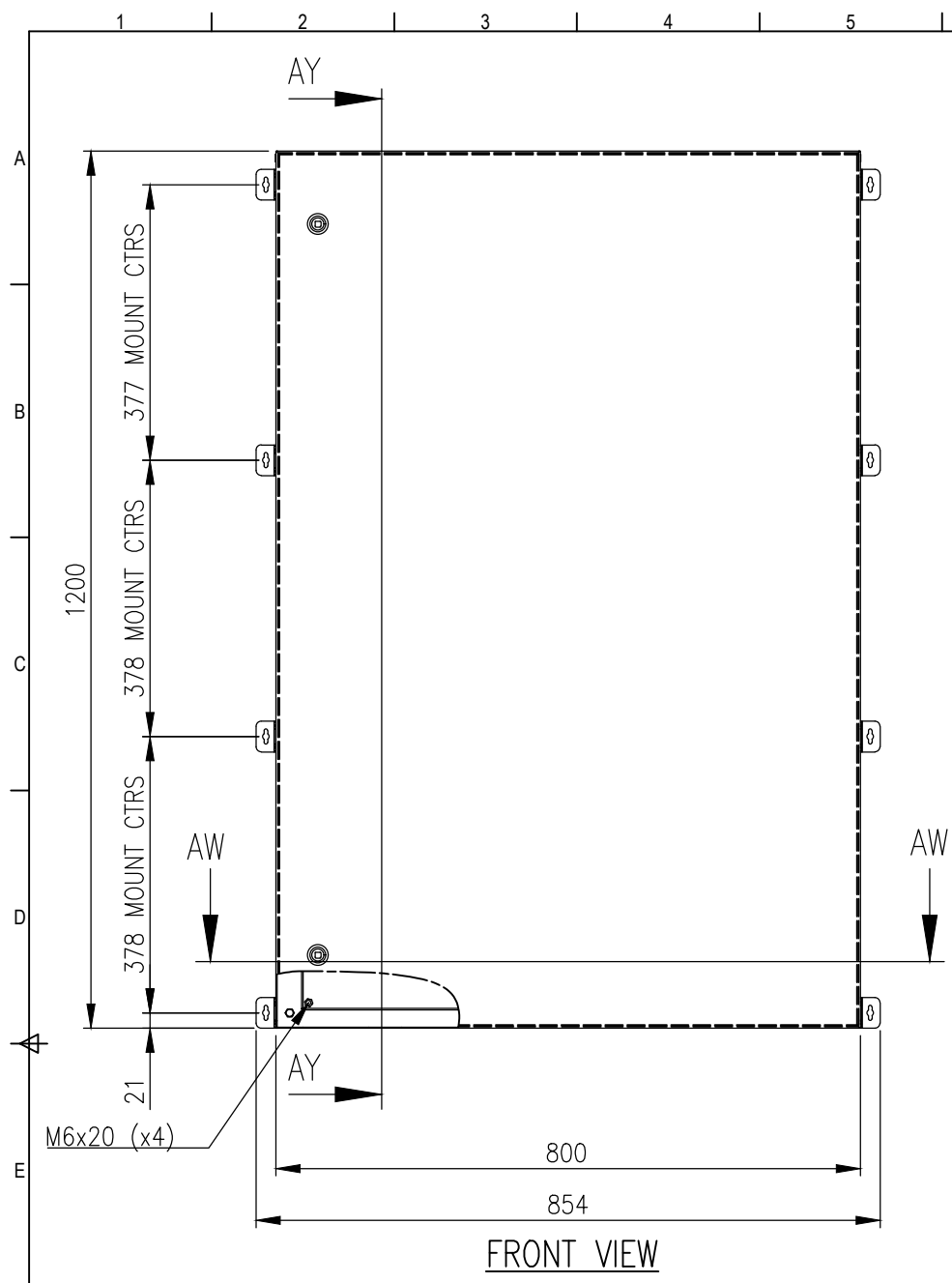
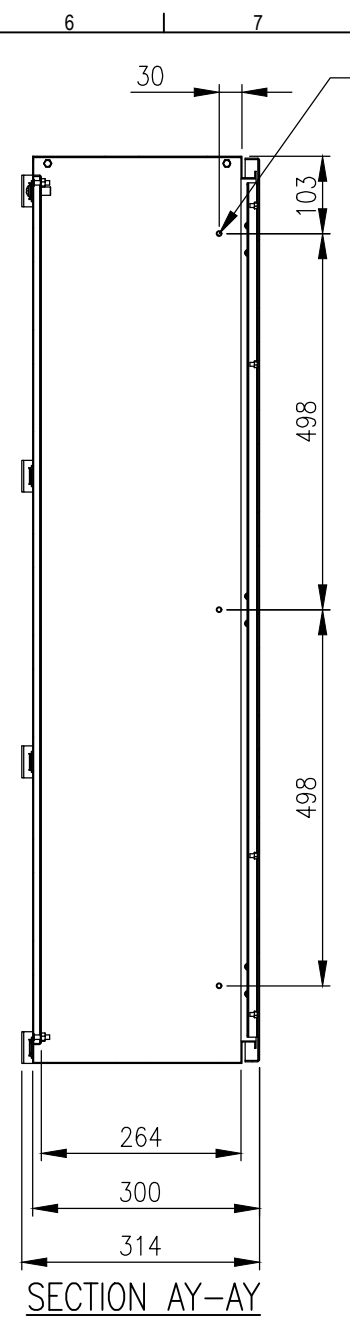


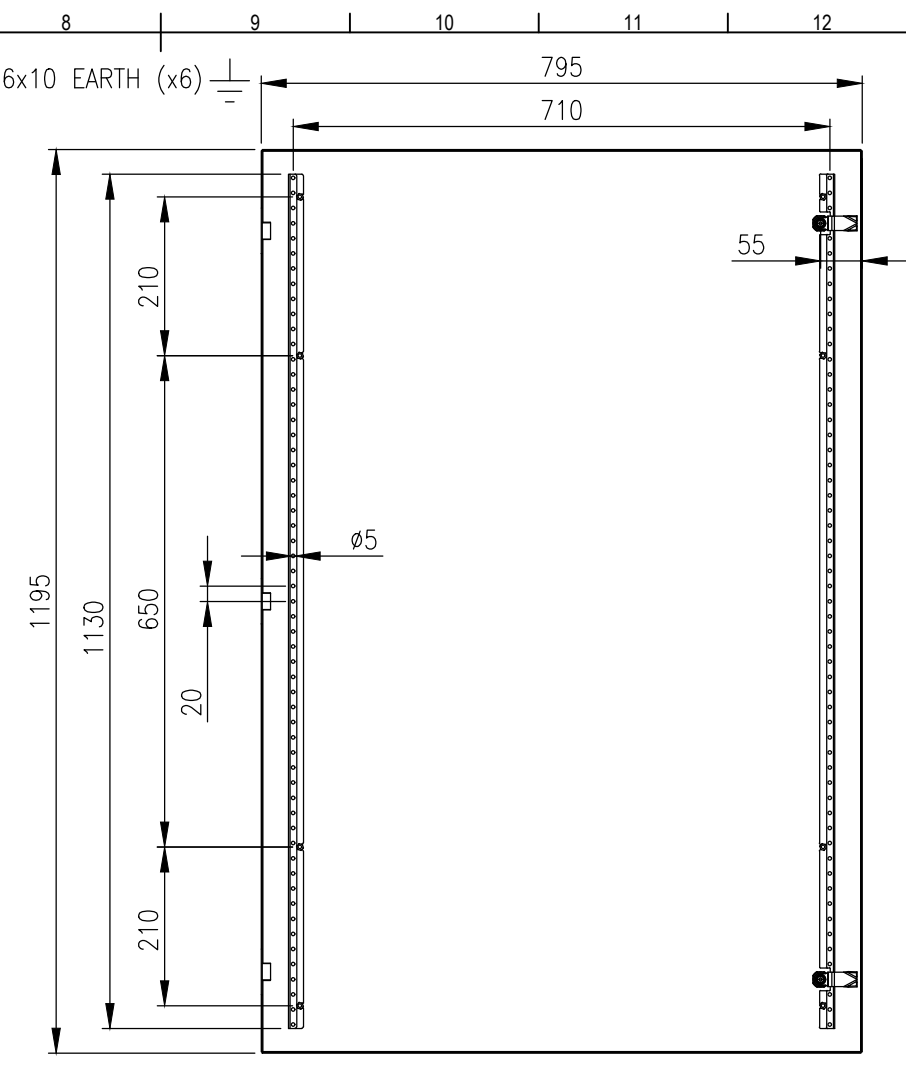
RevNo	Revision note	Date	Signature	Checked
3	GENERAL REVISION	01/04/25	IP	IP



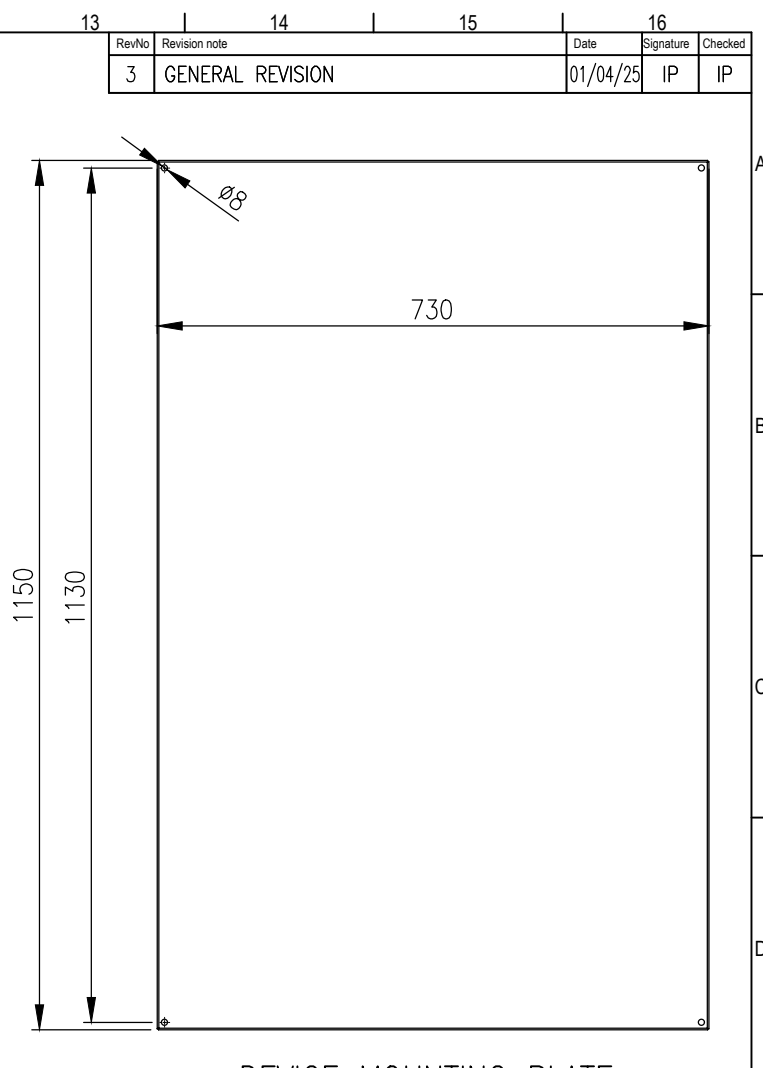
FRONT VIEW



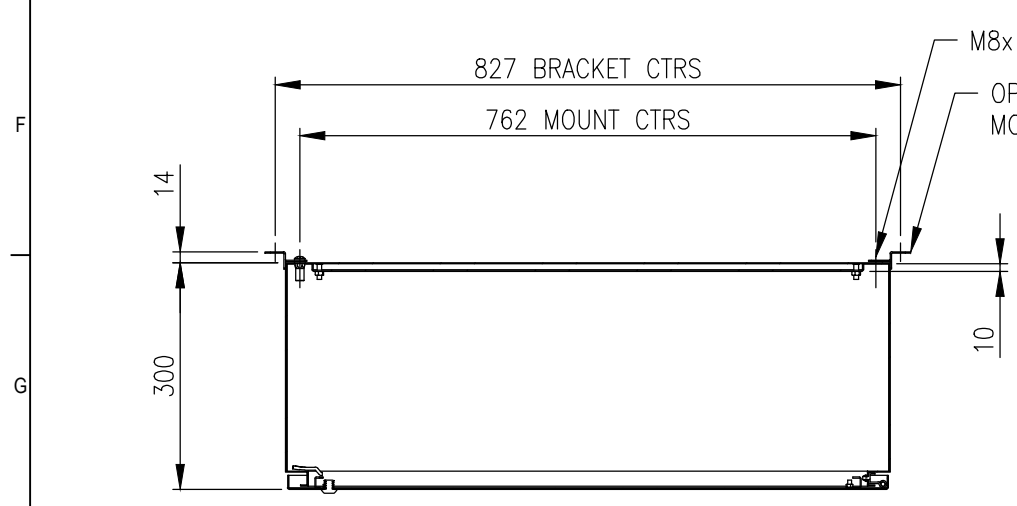
SECTION AY-AY



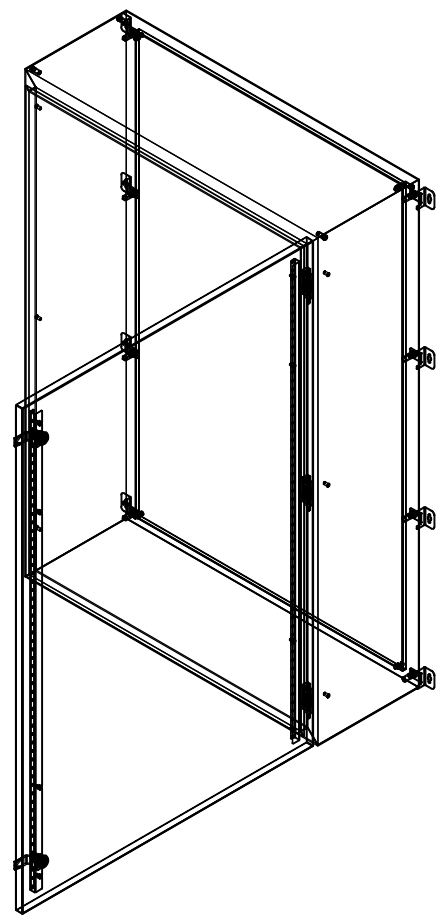
INSIDE DOOR VIEW



DEVICE MOUNTING PLATE



SECTION AW-AW



MATERIAL
 BODY: 1.5mm GRADE 316L STAINLESS STEEL
 DOOR: 1.5mm GRADE 316L STAINLESS STEEL
 DEVICE PLATE: 1.5mm GALVANISED STEEL SHEET
 SEAL: POLYURETHANE

MASS: 53.0Kg.

PROTECTION: IP66 IK10 (NEMA 4x)
 STANDARD: IEC/EN62208, IEC/EN/AS60529

© IP ENCLOSURES 2016.
 THIS DRAWING SHALL NOT BE COPIED OR REPRODUCED
 WITHOUT AUTHORISATION FROM IP ENCLOSURES.
 www.ipenclosures.com.au

IMPORTANT NOTE:		Itemref	Quantity	Title/Name, designation, material, dimension etc		Article No./Reference	
WALL MOUNTING BRACKETS ARE NOT INCLUDED AND MUST BE ORDERED SEPARATELY.		Designed by	Checked by	Approved by - date	Filename	Date	Scale
		IP	IP	17/10/16	IP-SS1208030	17/10/16	1:10
		1200x800x300 316SS ENCLOSURE					
		IP-SS1208030				Edition 3 Sheet 1/1	

