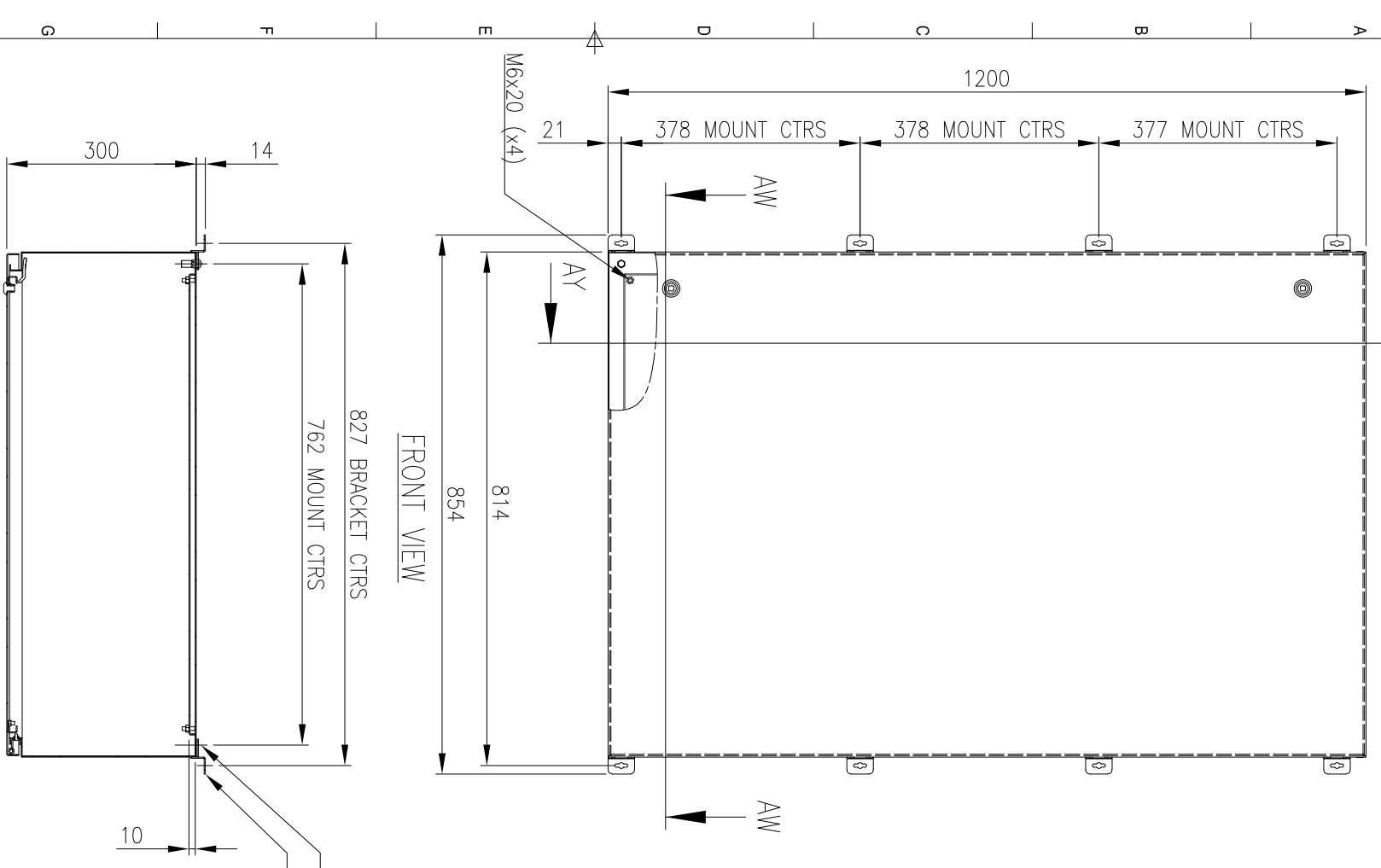
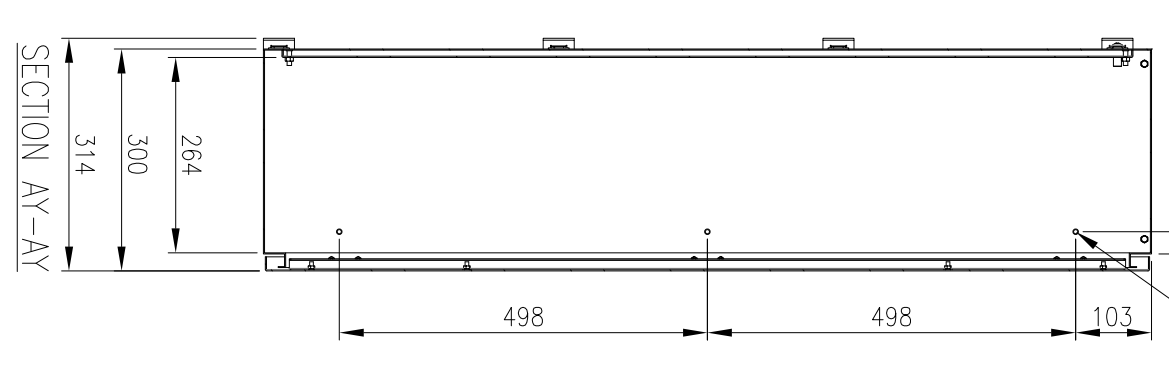
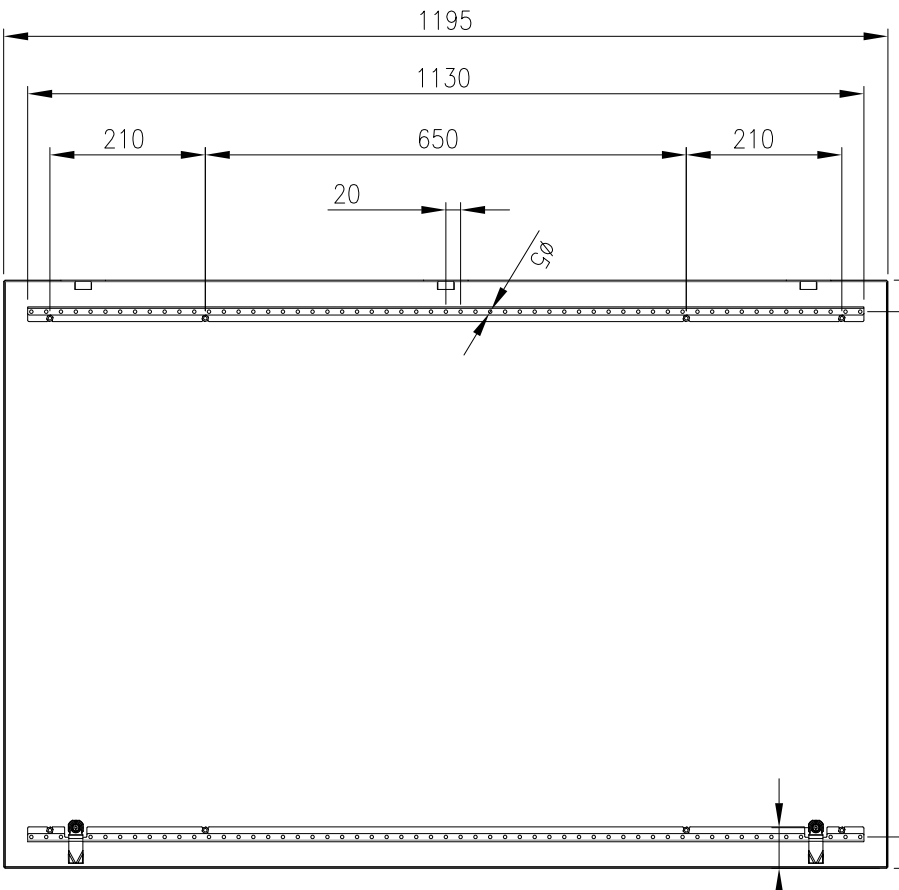
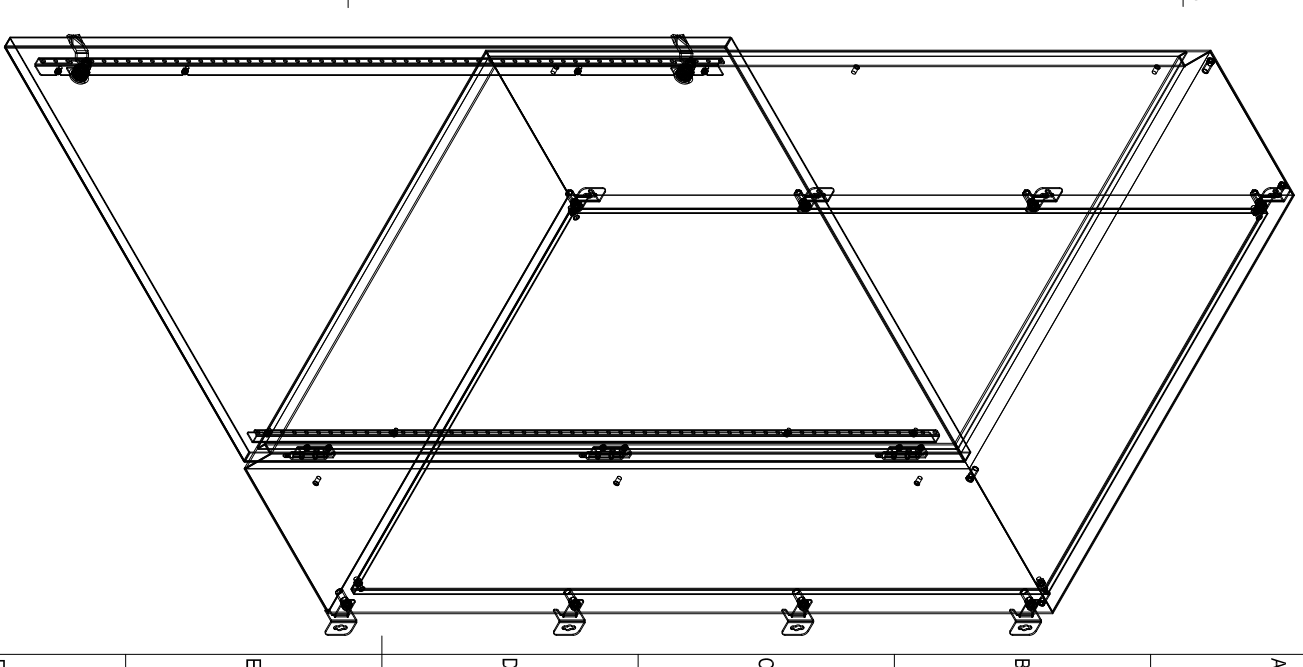
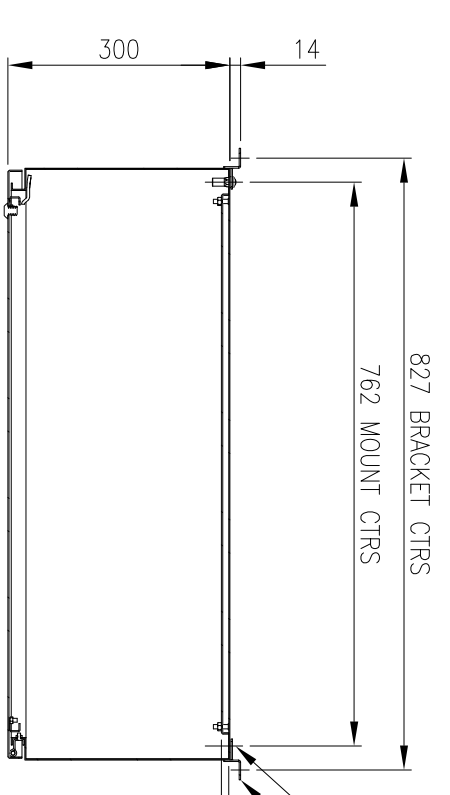


RevNo	Revision note	Date	Signature	Checked
1	GENERAL REVISION	9/8/17	IP	IP



SECTION AW-AW



FRONT VIEW

SECTION AY-AY

INSIDE DOOR VIEW

DEVICE MOUNTING PLATE

MATERIAL
 BODY: 1.5mm 316 STAINLESS STEEL
 DOOR: 1.5mm 316 STAINLESS STEEL
 DEVICE PLATE: 1.5mm GALV STEEL
 SEAL: POLYURETHANE

MASS: 53.0kg

PROTECTION: IP66 IK10, NEMA4x
 STANDARD: IEC/EN/AS62208, IEC/EN/AS60529

Item#	Quantity	TradeName, designation, material, dimension etc.	Article No./Reference	Scale
IP	1	1200x800x300 316SS ENCLOSURE	IP-S1208030-01	1:10
IP	1	DEVICE MOUNTING PLATE	IP-S1208030-01	1:1

© IP ENCLOSURES 2016.
 THIS DRAWING SHALL NOT BE COPIED OR REPRODUCED
 WITHOUT AUTHORISATION FROM IP ENCLOSURES.
 www.ipenclosures.com.au

