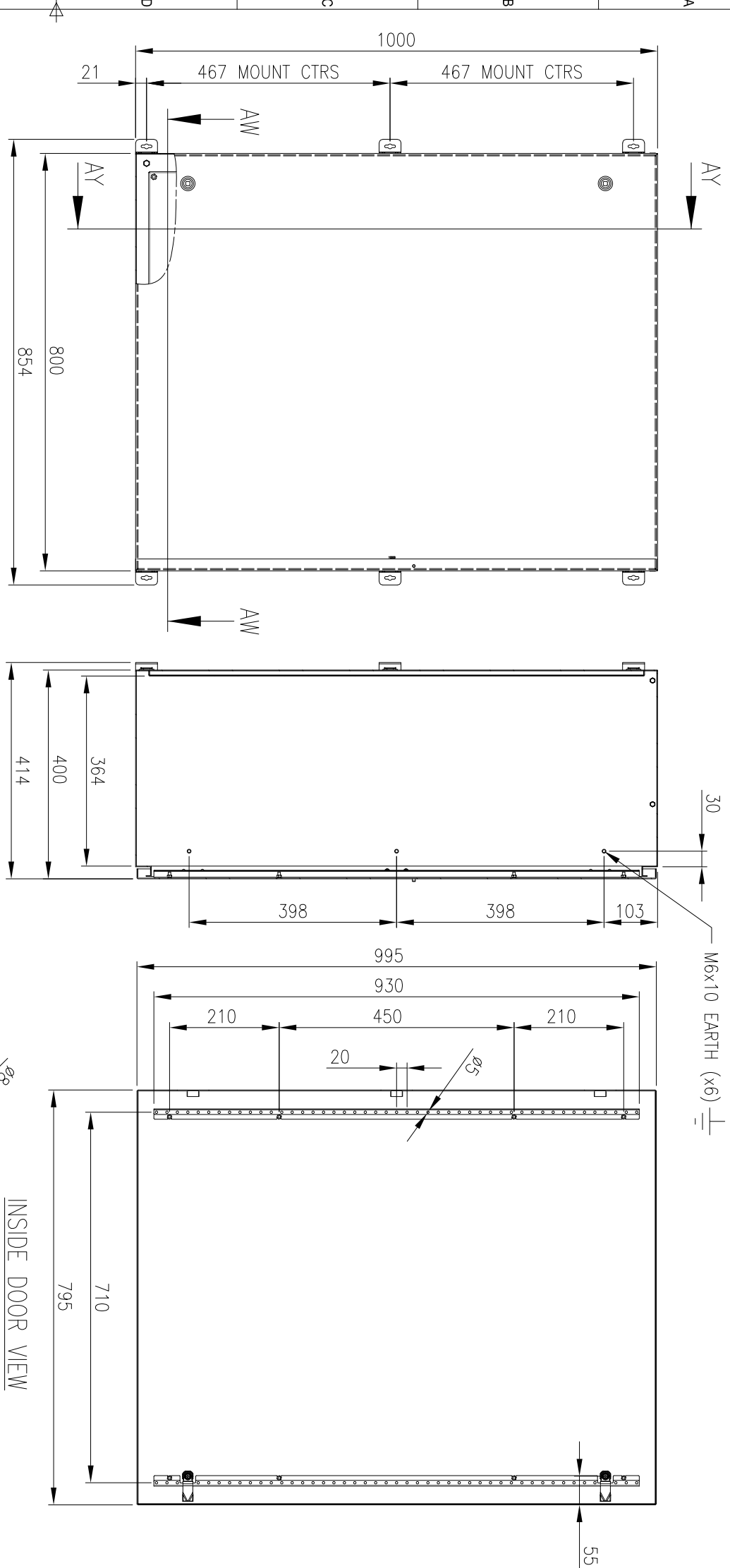
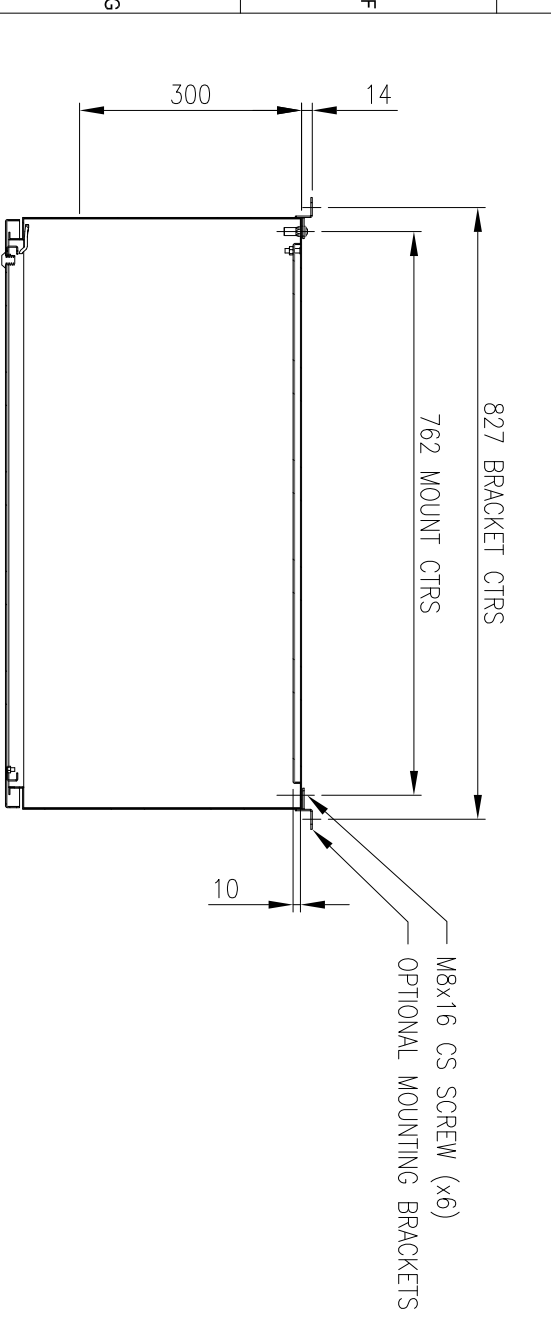
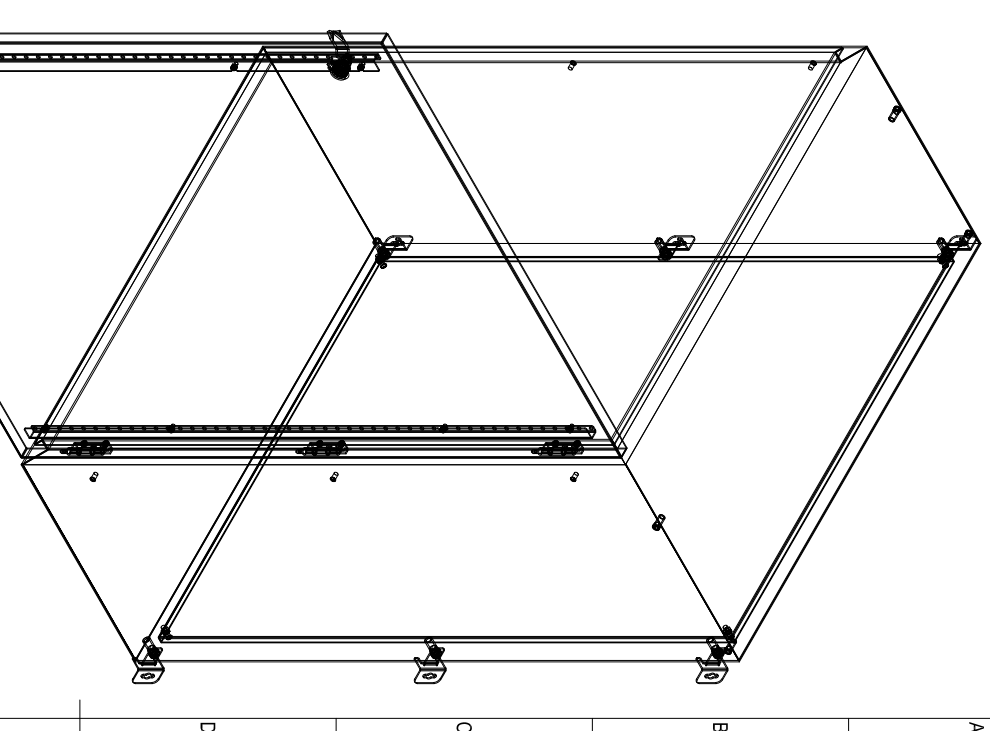


RevNo	Revision note	Date	Signature	Checked
1	GENERAL REVISION	9/8/17	IP	IP

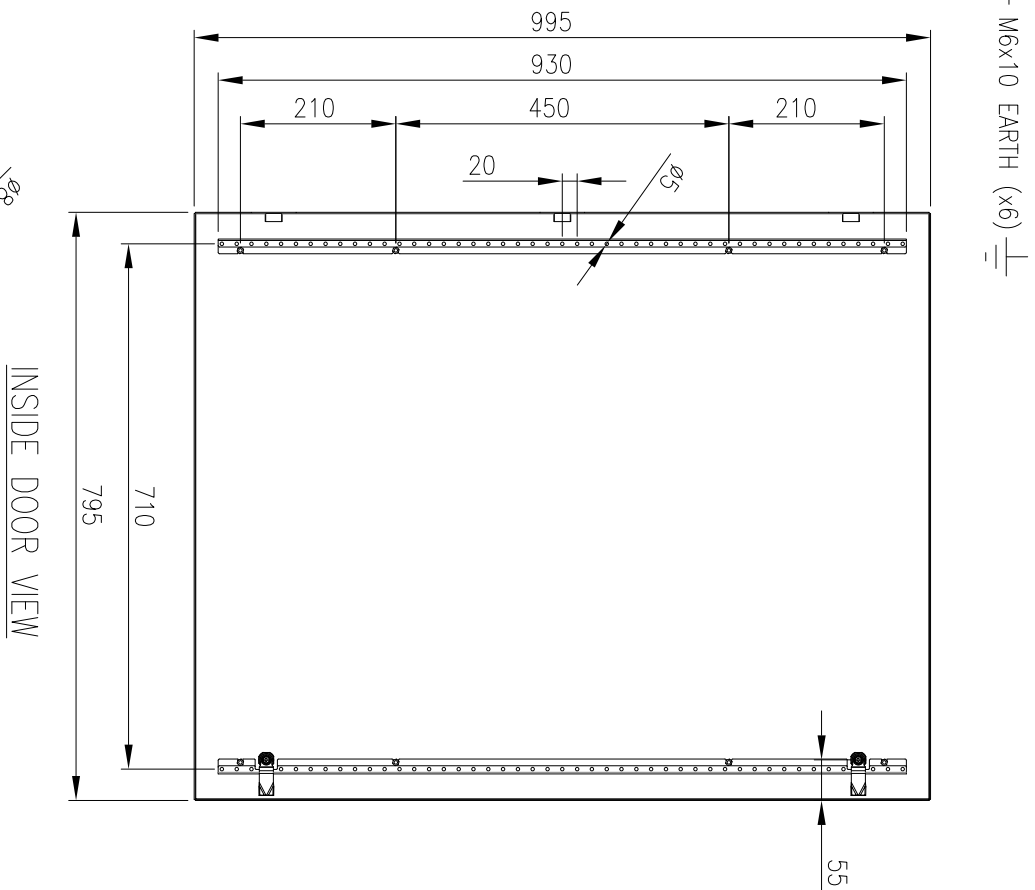


FRONT VIEW

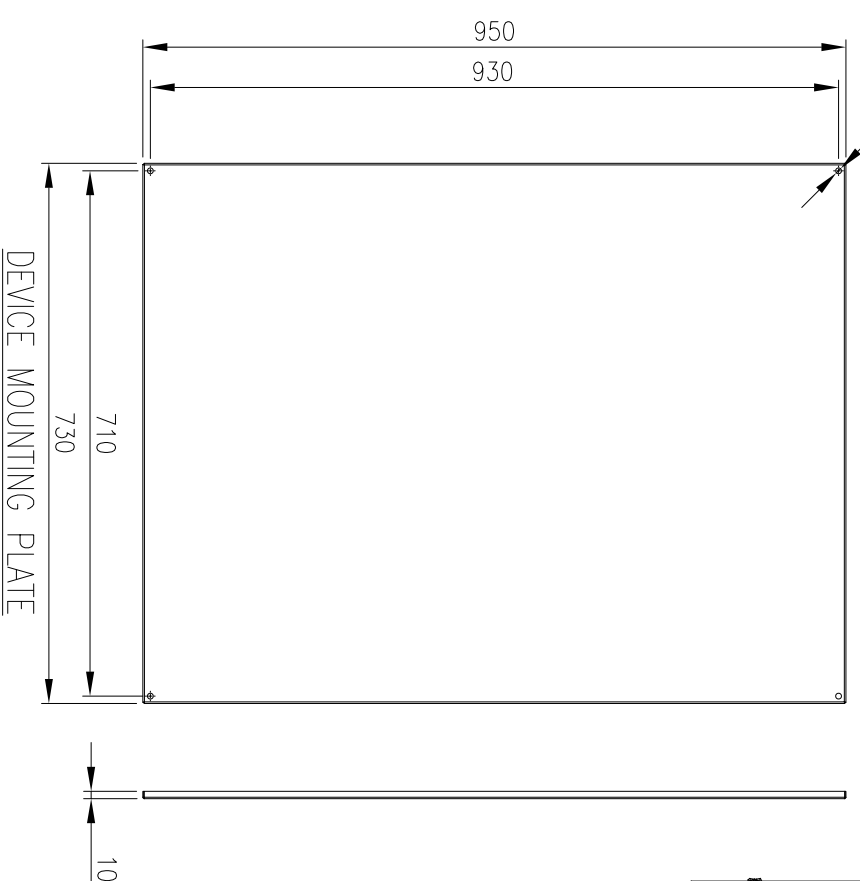
SECTION AY-AY



SECTION AW-AW



INSIDE DOOR VIEW



DEVICE MOUNTING PLATE

**MATERIAL**  
 BODY: 1.5mm 316 STAINLESS STEEL  
 DOOR: 1.5mm 316 STAINLESS STEEL  
 DEVICE PLATE: 1.5mm GALV STEEL  
 SEAL: POLYURETHANE

MASS: 51.0kg

PROTECTION: IP66 IK10, NEMA4x  
 STANDARD: IEC/EN/AS62208, IEC/EN/AS60529

© IP ENCLOSURES 2016.  
 THIS DRAWING SHALL NOT BE COPIED OR REPRODUCED  
 WITHOUT AUTHORISATION FROM IP ENCLOSURES.  
 www.ipenclosures.com.au

Item/Rev	Quantity	PartName, designation, material, dimension etc.	Part No./Reference	Scale
IP		File name IP-SS100804-01	Date 17/10/16	1:10
		1000x800x400 316SS ENCLOSURE		
		IP-SS100804-01	1	1/1

